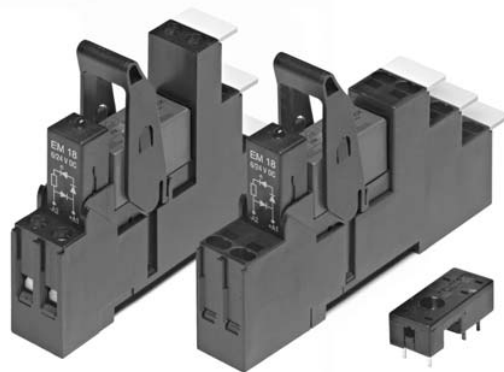


**Accessories Industrial Power Relay RT**

- For Industrial Power Relay RT  
pinnings 3.5mm / 5mm; relay height 15.7 mm
- New retainer clip with ejection function
- Easy replacement of relays on a densely packed DIN rail
- No reduction of protection class or creepage/clearance with plastic retainer
- Simple plug-in indicator- and protection modules
- White snap-on marking tags
- RoHS compliant (Directive 2002/95/EC)

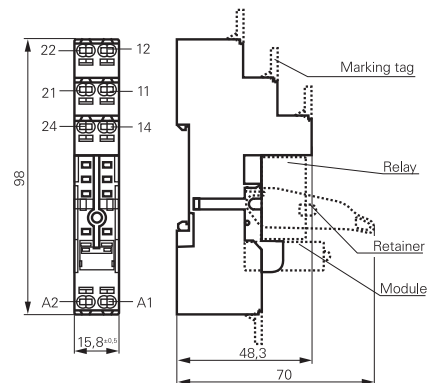


F0228-G

**Premium socket with screwless terminals for DIN rail mounting**

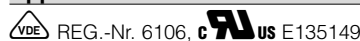
RT 78 72P Premium socket, logical terminal arrangement

- Screwless Clamps
- Mounting of solid wires without tool
- Double Clamps per terminal
- Jumper links for interconnection
- Open coil circuit for active modules
- Logical terminal arrangement



S0545-CA

**Approvals**

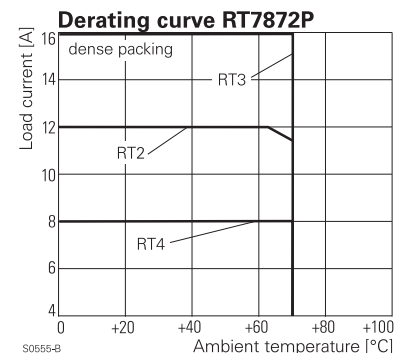


\*) For 1 pole relays (16 A) the relay terminals 11-21, 12-22 and 14-24 have to be bridged.

**Technical data**

|   |                       |
|---|-----------------------|
| Rated voltage / max. switching voltage AC | 240 / 400 VAC         |
| Rated current                             | 2 x 8 A, 16 A*)       |
| Dielectric strength coil-contact circuit  | 5000 V <sub>rms</sub> |
| open contact circuit                      | 1000 V <sub>rms</sub> |
| adjacent contact circuits                 | 2500 V <sub>rms</sub> |
| Clearance / creepage coil-contact circuit | ≥ 10 / 10 mm          |
| Material group of insulation parts        | IIIa                  |
| Insulation to IEC 60664-1                 |                       |
| Type of insulation coil-contact circuit   | reinforced            |
| open contact circuit                      | functional            |
| adjacent contact circuits                 | functional            |
| Rated insulation voltage                  | 250 V                 |
| Pollution degree                          | 2                     |
| Rated voltage system                      | 230 / 400 V           |
| Overvoltage category                      | III                   |
| RoHS - Directive 2002/95/EC               | compliant             |

- Not suitable for bistable relays with 2 coils!



S0555-8

**Accessories Industrial Power Relay RT (Continued)**

**Technical data (Continued)**

|   |  |
|---|--|
| Ambient temperature range                       |  |
| for mounting/handling                           | -20...+70°C  |
| in operation                                    | -40...+70°C  |
| Terminals                                       | screwless  |
| Wire strip length                               | 12 mm  |
| Wire cross section                              |  |
| solid wire                                      | 1 x 0.75/1/1.5 mm <sup>2</sup><br>2 x 0.75/1 mm <sup>2</sup> |
| with standard isolation (no oversize isolation) | 2 x 1.5 mm <sup>2</sup>                                      |
| stranded wire                                   |  |
| without bootlace crimp                          | 1 x 0.75/1/1.5 mm <sup>2</sup><br>2 x 0.75/1 mm <sup>2</sup> |
| without bootlace crimp with standard isolation  | 2 x 1.5 mm <sup>2</sup>                                      |
| with bootlace crimp                             | 1 x 0.75/1 mm <sup>2</sup><br>2 x 0.75 mm <sup>2</sup>       |
| with bootlace crimp without isolation           | 1 x 1.5 mm <sup>2</sup>                                      |
| or min 18 mm long                               |  |

For stranded wires with braids 0.05 mm or smaller the use of bootlace crimps is recommended. When using stranded wires without bootlace crimp the clamp must be opened during insertion.

|                            |                    |
|----------------------------|--------------------|
| Insertion cycles           | A (10)             |
| Max. Insertion Force total | 100 N              |
| Mounting distance          | ≥ 0, dense packing |
| Weight                     | 36 g               |
| Packaging unit             | 10 pcs             |

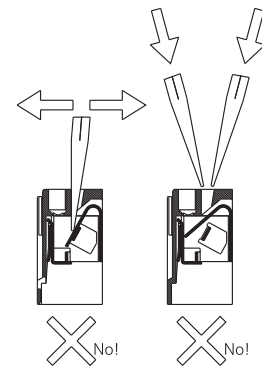
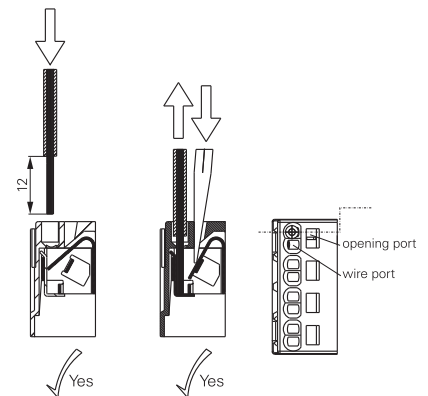
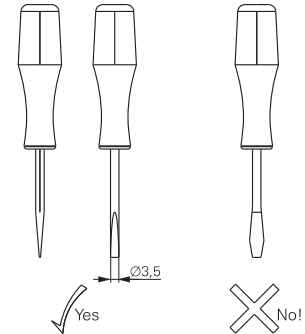
**Socket with screwless terminals for DIN rail mounting**

| Type  | Part Number |
|---|-------------|
| <b>RT 78 72P</b> Premium socket, logical terminal arrangement<br>Socket with screwless terminals,<br>pinning 5 mm for DIN rail mounting | 1860200-1   |

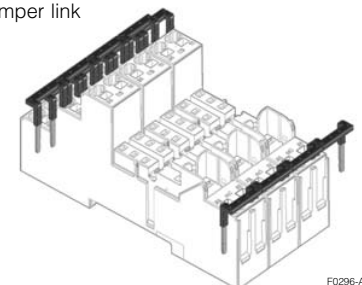
**Accessories for RT 78 72P**

| Type   | Part Number |
|--|-------------|
| <b>RT 17 017</b> Plastic retaining clip, relay height 15.7 | 2022103-1   |
| <b>RT 17 040</b> Marking tag                               | 2-1415038-1 |
| <b>RT 17 0P1</b> Jumper link, max load 12 A                | 1860211-1   |

**How to use, Precautions**



**Jumper link**



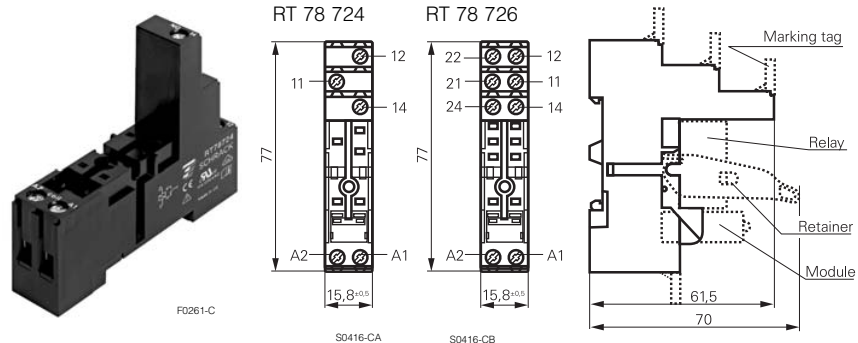
**Accessories Industrial Power Relay RT (Continued)**

**Socket with screw-type terminals for DIN rail mounting**

**RT 78 724** Socket with screw-type terminals, pinning 3.5 mm for DIN rail mounting

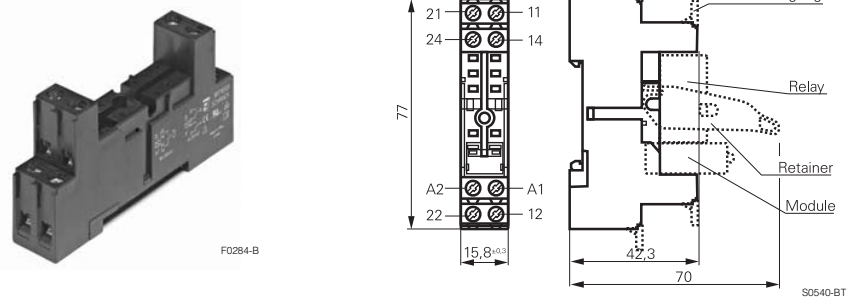
**RT 78 726** Socket with screw-type terminals, pinning 5 mm for DIN rail mounting, logical terminal arrangement

- Din-rail socket with logical setup of connections (input/output)
- High quality rising clamp terminals
- Captive combination terminal screws
- Jumper bars for interconnection



**RT 78 725** Socket with screw-type terminals, pinning 5 mm for DIN rail mounting, conventional terminal arrangement

- Conventional terminal arrangement



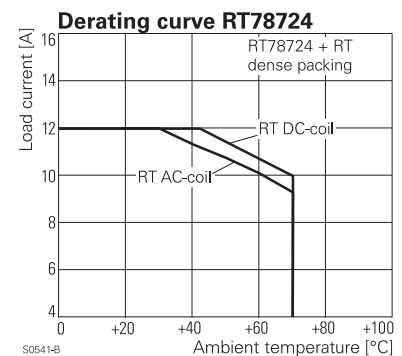
**Approvals**

VDE REG.-Nr. 6106 in preparation, **UL** US E135149

\*) For 1 pole relays (16 A) the relay terminals 11-21, 12-22 and 14-24 have to be bridged.  
For 1 pole relays (12 A) the relay terminals 11-12-14 have to be connected to the socket terminals 21-12-24

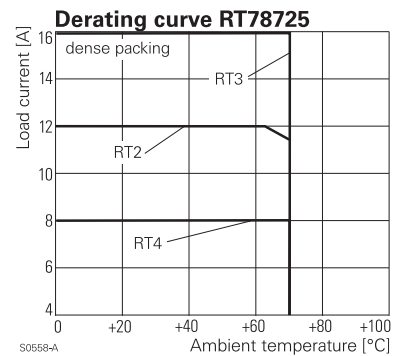
| Technical data   | RT 78 724 / RT 78 726      | RT 78 725             |
|--|----------------------------|-----------------------|
| Rated voltage / max. switching voltage AC                    | 240 / 400 VAC              |                       |
| Rated current  | 12 A, 2 x 8 A, 16 A*)      |                       |
| Dielectric strength coil-contact circuit                     | 5000 V <sub>rms</sub>      | 4000 V <sub>rms</sub> |
| open contact circuit   | 1000 V <sub>rms</sub>      | 1000 V <sub>rms</sub> |
| adjacent contact circuits                                    | 2500 V <sub>rms</sub>      | 2500 V <sub>rms</sub> |
| Clearance / creepage coil-contact circuit                    | ≥ 10 / 10 mm               | ≥ 4.7 / 4.7 mm        |
| Material group of insulation parts                           | IIIa                       |                       |
| Insulation to IEC 60664-1                                    |                            |                       |
| Type of insulation coil-contact circuit                      | reinforced                 | basic                 |
| open contact circuit   |                            | functional            |
| adjacent contact circuits                                    |                            | functional            |
| Rated insulation voltage                                     | 250 V                      |                       |
| Pollution degree   | 2                          |                       |
| Rated voltage system   | 230 / 400 V                |                       |
| Overvoltage category   | III                        |                       |
| RoHS - Directive 2002/95/EC                                  | compliant                  |                       |
| Ambient temperature range for mounting/handling in operation | -20...+70°C<br>-40...+70°C |                       |

- Not suitable for bistable relays with 2 coils!

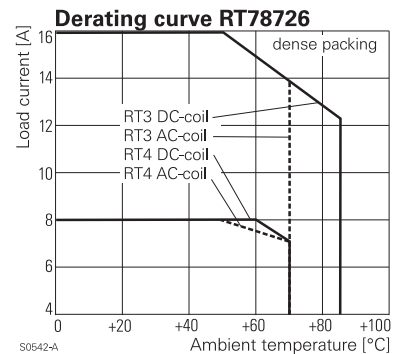


**Accessories Industrial Power Relay RT (Continued)**

| Technical data (Continued)           | RT 78 724 / RT 78 726   | RT 78 725 |
|--------------------------------------|-------------------------|-----------|
| Terminals                            | screw                   |           |
| Terminal screw torque acc. IEC 61984 | 0.5 Nm                  |           |
| max.                                 | 0.7 Nm                  |           |
| Wire cross section                   |                         |           |
| single wire                          | 2 x 2.5 mm <sup>2</sup> |           |
| fine wire                            | 2 x 2.5 mm <sup>2</sup> |           |
| with bootlace crimp (DIN 46228/1)    | 2 x 1.5 mm <sup>2</sup> |           |
| Insertion cycles                     | A (10)                  |           |
| Max. Insertion Force total           | 100 N                   |           |
| Mounting distance                    | ≥ 0, dense packing      |           |
| Weight                               | 36 g                    |           |
| Packaging unit                       | 10 pcs                  |           |

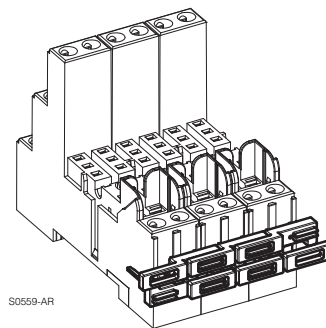


| Socket with screw-type terminals for DIN rail mounting |   |             |
|--|---|-------------|
| Type   |   | Part Number |
| <b>RT 78 724</b>                                       | Socket with screw-type terminals, pinning 3.5 mm for DIN rail mounting, logical terminal arrangement    | 8-1415035-1 |
| <b>RT 78 726</b>                                       | Socket with screw-type terminals, pinning 5 mm for DIN rail mounting, logical terminal arrangement      | 6-1415035-1 |
| <b>RT 78 725</b>                                       | Socket with screw-type terminals, pinning 5 mm for DIN rail mounting, conventional terminal arrangement | 1860306-1   |



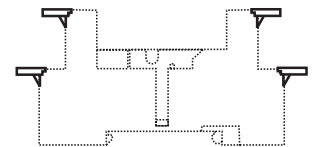
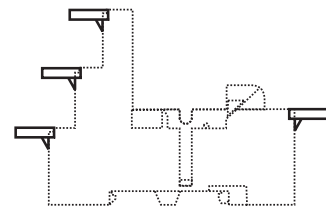
| Accessories for RT 78 724, RT 78 725, RT 78 726 |  |             |
|---|--|-------------|
| Type  |  | Part Number |
| <b>RT 17 017</b>                                | Plastic retaining clip, relay height 15.7                      | 2022103-1   |
| <b>RT 17 040</b>                                | Marking tag  | 2-1415038-1 |
| <b>RT 17 0R8</b>                                | Jumper bar, max load 12 A for connection of up to 8 RT sockets | 1860517-8   |

Jumper bar



Marking tags

- White marking area 15.5 x 6 mm
- Snaps on socket in up to 4 positions



**Accessories Industrial Power Relay RT (Continued)**

**LED- and Protection Modules for RT 78 72P, RT 78 724, RT 78 725, RT 78 726**

Easy insertion of module into the socket  
Wiring in parallel to the coil

| Type              |      |  | Part Number |
|-------------------|------|--|-------------|
| <b>PTM T0 0A0</b> | EM09 | Protection diode (standard, A1+, A2-)          | 9-1415036-1 |
| <b>PTM T0 0L0</b> | EM01 | Protection diode (A1-, A2+)                    | 1415037-1   |
| <b>PTM U0 524</b> | EM02 | RC-network 6...60 VAC                          | 1-1415037-1 |
| <b>PTM U0 730</b> | EM03 | RC-network 110...230 VAC                       | 2-1415037-1 |
| <b>PTM V0 524</b> | EM04 | Varistor 24 VAC                                | 3-1415037-1 |
| <b>PTM V0 615</b> | EM13 | Varistor 115 VAC                               | 6-1415365-1 |
| <b>PTM V0 730</b> | EM05 | Varistor 230 VAC                               | 4-1415037-1 |
| <b>PTM D0 730</b> | EM31 | Residual current bypass RC 110...230 VAC       | 1415037-2   |
| <b>PTM R0 730</b> | EM29 | Residual current bypass resistor 110...230 VAC | 1-1415539-2 |

**LED**

|                   |      |   |             |
|-------------------|------|---|-------------|
| <b>PTM L0 024</b> | EM18 | red LED 6...24 VDC w. prot.diode (std, A1+, A2-)    | 5-1415036-1 |
| <b>PTM G0 024</b> | EM12 | green LED 6...24 VDC w. prot.diode (std, A1+, A2-)  | 2-1415036-1 |
| <b>PTM L1 024</b> | EM08 | red LED 6...24 VDC w. prot. diode (A1-, A2+)        | 8-1415036-1 |
| <b>PTM L0 060</b> | EM16 | red LED 24...60 VDC w. prot.diode (std, A1+, A2-)   | 5-1415539-3 |
| <b>PTM G0 060</b> | EM25 | green LED 24...60 VDC w. prot.diode (std, A1+, A2-) | 7-1415539-7 |
| <b>PTM L0 110</b> | EM19 | red LED 60...110 VDC w. prot. diode (A1+, A2-)      | 2-1415392-1 |
| <b>PTM G0 110</b> | EM26 | green LED 60...110 VDC w. prot diode (A1+, A2-)     | 1-1415539-7 |
| <b>PTM L0 220</b> | EM27 | red LED 110...220 VDC w. prot. diode (A1+, A2-)     | 1-1415539-4 |
| <b>PTM G0 220</b> | EM28 | green LED 110...220 VDC w. prot diode (A1+, A2-)    | 1-1415539-6 |
| <b>PTM L0 524</b> | EM07 | red LED 6...24 VDC/VAC                              | 6-1415036-1 |
| <b>PTM G0 524</b> | EM11 | green LED 6...24 VDC/VAC                            | 3-1415036-1 |
| <b>PTM L0 560</b> | EM14 | red LED 24...60 VDC/VAC                             | 1-1415539-3 |
| <b>PTM G0 560</b> | EM30 | green LED 24...60 VDC/VAC                           | 1-1415539-5 |
| <b>PTM L0 730</b> | EM06 | red LED 110...230 VAC                               | 7-1415036-1 |
| <b>PTM G0 730</b> | EM10 | green LED 110...230 VAC                             | 4-1415036-1 |



**Relay Packages**

Complete packages consisting of a relay mounted on a socket: see Relay Package RT

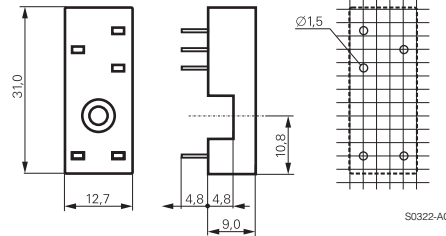
**Accessories Industrial Power Relay RT (Continued)**

**Sockets for PCB mount**

**RP 78 601** Socket with PCB terminals, pinning 3.5 mm



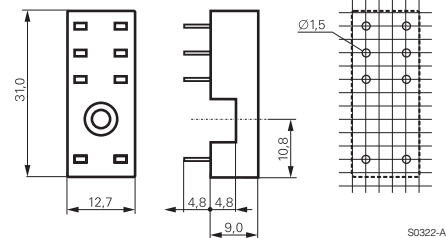
F0116-A



**RP 78 602** Socket with PCB terminals, pinning 5 mm



F0117-A



**Approvals**



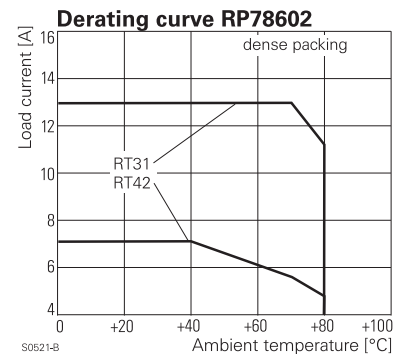
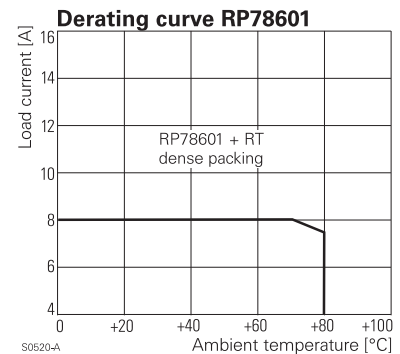
| Technical data                            |  | RP 78 601 / RP 78 602 |
|---|--|-----------------------|
| Rated voltage / max. switching voltage AC |  | 240 / 400 VAC         |
| Rated current                             |  | 12 A*)                |
| Limiting continuous current               |  | see derating curve    |
| Dielectric strength coil-contact circuit  |  | 4000 V <sub>rms</sub> |
| open contact circuit                      |  | 1000 V <sub>rms</sub> |
| adjacent contact circuits                 |  | 2500 V <sub>rms</sub> |
| Clearance / creepage coil-contact circuit |  | ≥ 10 / 10 mm          |
| Material group of insulation parts        |  | IIIa                  |
| Insulation to IEC 60664-1                 |  |                       |
| Type of insulation coil-contact circuit   |  | reinforced            |
| open contact circuit                      |  | functional            |
| adjacent contact circuits                 |  | functional            |
| Rated insulation voltage                  |  | 250 V                 |
| Pollution degree                          |  | 2                     |
| Rated voltage system                      |  | 230 / 400 V           |
| Overvoltage category                      |  | III                   |
| RoHS - Directive 2002/95/EC               |  | compliant             |
| Ambient temperature range                 |  | -40...+80°C           |
| Terminals                                 |  | pcb                   |
| Insertion cycles                          |  | A (10)                |
| Max. Insertion Force total                |  | 100 N                 |
| Mounting distance                         |  | ≥ 0, dense packing    |
| Resistance to soldering heat              |  | 270°C / 10 s          |
| Weight                                    |  | 3 g                   |
| Packaging unit                            |  | 100 pcs               |

**Socket with PCB terminals**

| Type             |   | Part Number |
|------------------|---|-------------|
| <b>RP 78 601</b> | Socket with PCB terminals, pinning 3.5 mm | 8-1393234-4 |
| <b>RP 78 602</b> | Socket with PCB terminals, pinning 5 mm   | 8-1393234-5 |

**Accessories for RP 78 601, RP 78 602**

| Type             |   | Part Number |
|------------------|---|-------------|
| <b>RT 16 041</b> | Plastic retaining clip RT, relay height 15.7 mm | 3-1393161-4 |
| <b>RT 28 516</b> | Metal retaining clip RT, relay height 15.7 mm   | 1419108-7   |



\*) For 1 pole relays (16 A) the relay terminals 11-21, 12-22 and 14-24 have to be bridged on the PCB.