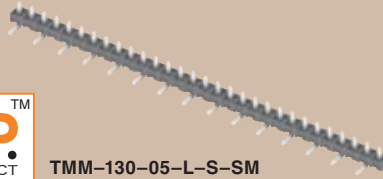




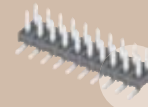
(2,00mm) .0787"

TMM SERIES

TMM-110-01-T-D-SM



TMM-130-05-L-S-SM



TMM-112-01-G-S-SM

LOW PROFILE SMT HEADER

SPECIFICATIONS

For complete specifications and recommended PCB layouts see www.samtec.com?TMM

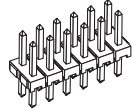
Insulator Material: Black Liquid Crystal Polymer
Terminal Material: Phosphor Bronze
Plating: Sn or Au over 50µ" (1,27µm) Ni
Operating Temp Range: -55°C to +105°C with Tin; -55°C to +125°C with Gold
Voltage Rating: 500 VAC mated with SQW, 450 VAC mated with SQT
RoHS Compliant: Yes



Mates with: CLT, SQT, SQW, ESQT, TLE, SMM, MMS, TCSD, TBSD

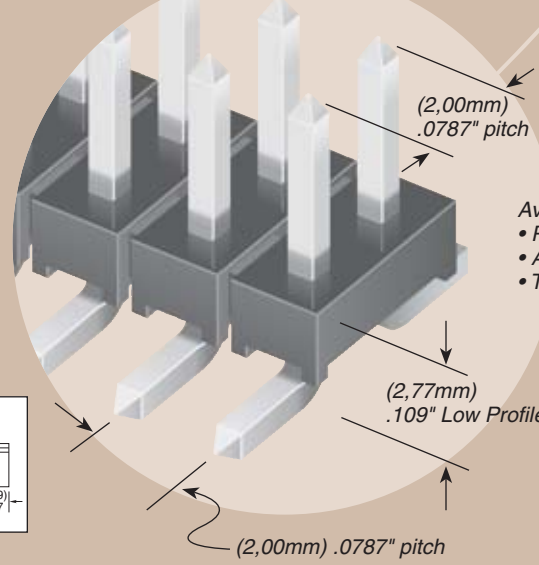
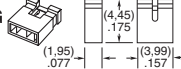
ALSO AVAILABLE

Through-Hole



2mm Shunt

Specify **2SN-BK-G** for 2mm shunt with Gold plating.



Available with optional
 • Pick & Place Pads
 • Alignment pins
 • Tape & reel packaging

CURRENT RATING	
AMBIENT TEMP	Mated with SMM
20°C	3.9A
40°C	3.5A
60°C	3A
95°C	2A

6 POSITIONS (2x3) POWERED

Processing: Lead-Free Solderable: Yes
SMT Lead Coplanarity: (0,15mm) .006" max



02 thru 40

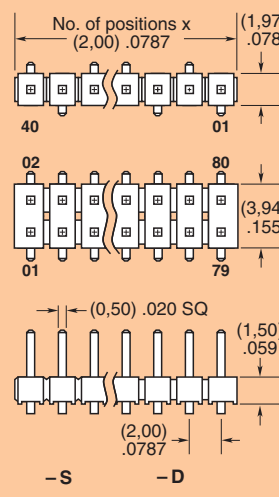
Specify LEAD STYLE from chart below.

- F** = Gold flash on post, Matte Tin on tail
- L** = 10µ" (0,25µm) Gold on post, Matte Tin on tail
- G** = 20µ" (0,51µm) Gold on post, Gold flash on tail
- S** = 30µ" (0,76µm) Gold on post, Matte Tin on tail
- T** = Matte Tin

- S** = Single Row
- D** = Double Row

- A** = Alignment Pin (Metal or plastic at Samtec's discretion) (5 positions minimum) (-D only)
- XXX** = Polarized Position (Specify position of omitted pin)
- M** = Metal Pick & Place Pad (4 positions minimum) (-T plating not available) (-D only)
- P** = Pick & Place Pad (3 positions minimum)
- TR** = Tape & Reel Pkg. (3 positions minimum)

LEAD STYLE	A	MATES WITH
-01	(3,20) .126	SQT, SQW, ESQT, TLE, SMM, MMS, TCSD
-04	(1,91) .075	
-05	(1,65) .065	CLT
-06	(4,27) .168	CLT-BE



Note: Some lengths, styles and options are non-standard, non-returnable.

Due to technical progress, all designs, specifications and components are subject to change without notice.

WWW.SAMTEC.COM