

BOTTOM MOUNT STRIPS BSW SERIES

Mates with:
TSW, MTSW, MTLW,
EW, ZW, TSM

FEATURES

- Bottom mount socket strips accept .025" SQ terminals.
- Ideal for soldering and plugging from the same side of the board.
- For low profile connections and high temperature soldering.

SPECIFICATIONS

For complete specifications and recommended PCB layouts see www.samtec.com?BSW

Insulator Material:

Black High Temperature Thermoplastic

Insulation Resistance:

5000 MΩ min

Contact Material:

Phosphor Bronze

Plating:

Au or Sn over 50µ" (1,27µm) Ni

Current Rating:

3A

Operating Temp Range:

-55°C to +125°C with Gold

-55°C to +105°C with Tin

Withstanding Voltage:

1000 VRMS @ 60 Hz

Contact Resistance:

10 mΩ max

Insertion Depth:

(3,68mm) .145" to (6,35mm) .250"

Insertion Force:

(Single contact only)

(-S plating)

Standard = 8oz (2,23N) avg.

Low Insertion Force = 3oz (0,83N) avg.

Withdrawal Force:

(Single contact only)

(-S plating)

Standard = 8oz (2,23N) avg.

Low Insertion Force = 3oz (0,83N) avg.

RoHS Compliant:

Yes

Lead-Free Solderable:

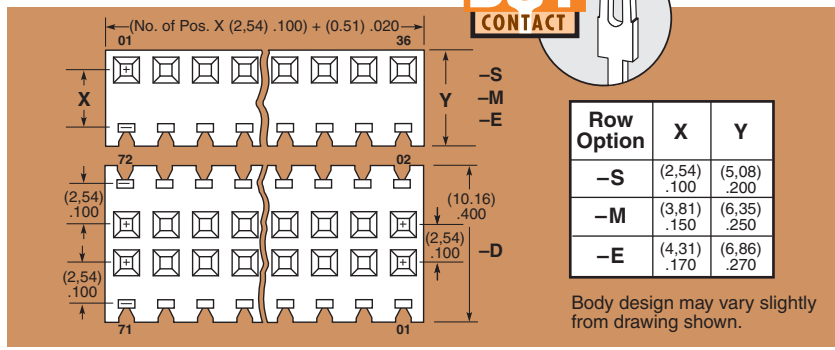
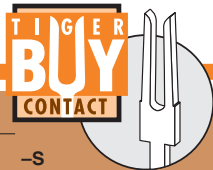
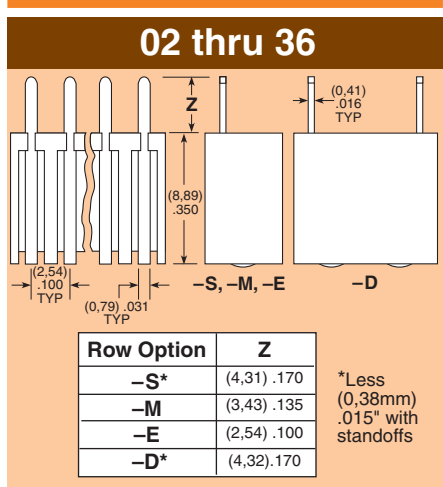
Wave only

Note: Other Gold plating options available.

Contact Samtec.

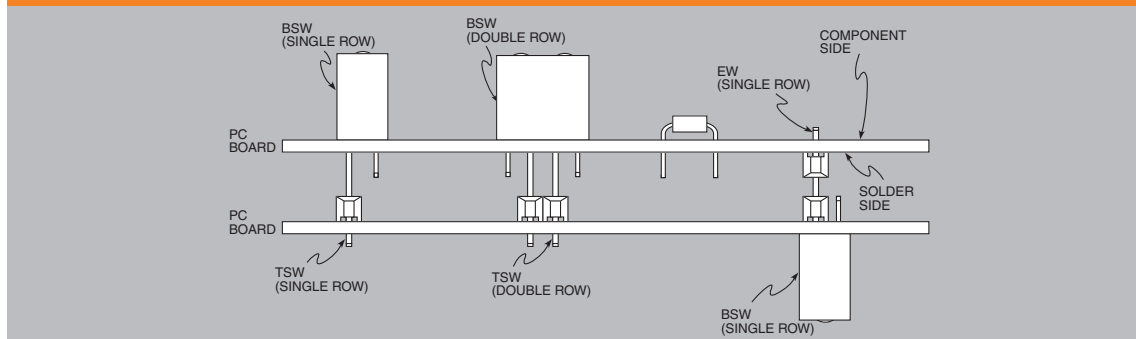
Note: Some lengths, styles and options are non-standard, non-returnable.

BSW	1	NO. PINS PER ROW	LEAD STYLE	PLATING OPTION	ROW OPTION	OTHER OPTION
			-04 = Standard Lead	-G = 20µ" (0,51µm) Gold contact, Gold Flash Tail	-S = 30µ" (0,76µm) Gold contact, Matte Tin Tail	-S = Standoffs for single and double rows only.
			-24 = Low Insertion Force	-T = Matte Tin (N/A with Low Insertion Force)		



- S = Single Row
- M = Single Row More Plug Space
- E = Single Row Extended Plug Space
- D = Double Row

APPLICATIONS



Due to technical progress, all designs, specifications and components are subject to change without notice.

WWW.SAMTEC.COM