

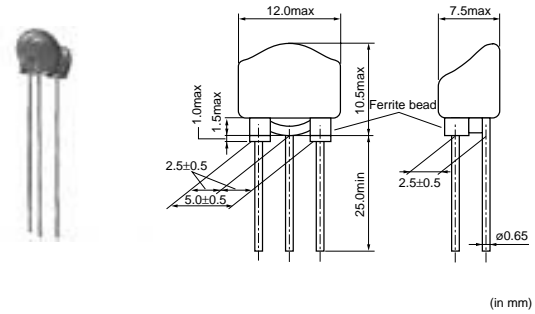
## for Large-Current VFS9V Series

### ■ Features

The VFS9V series is designed for surge protection of power supply line. It protects electric circuit from surges such as static electricity and suppress EMI noise. Its large capacitance value enables high insertion loss for EMI noise.

### ■ Applications

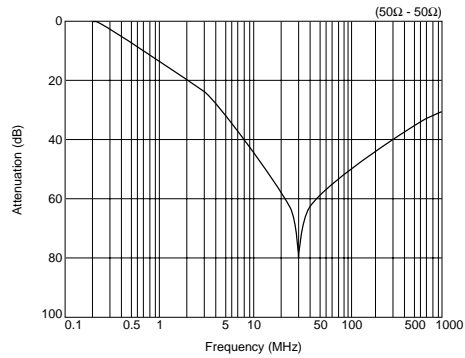
For circuit protection and noise suppression in electronics equipment such as computers and Dc motors and in electronics systems installed in cars such as car audio equipment and engine controllers.



| Part Number  | Rated Voltage (Vdc) | Varistor Voltage (Vdc) | Capacitance (pF) | Rated Current (A) | Operating Temperature Range (°C) |
|--------------|---------------------|------------------------|------------------|-------------------|----------------------------------|
| VFS9VD31B223 | 12                  | 22 +20%, -20%          | 22000 +50%, -20% | 7                 | -40 to 100                       |

Rated current: 6A (Taping Type)/7A (Bulk Type)  
Please refer to Part Numbering for Type and Length of Lead.

### ■ Insertion Loss Characteristics



### ■ Voltage-Current Characteristics

