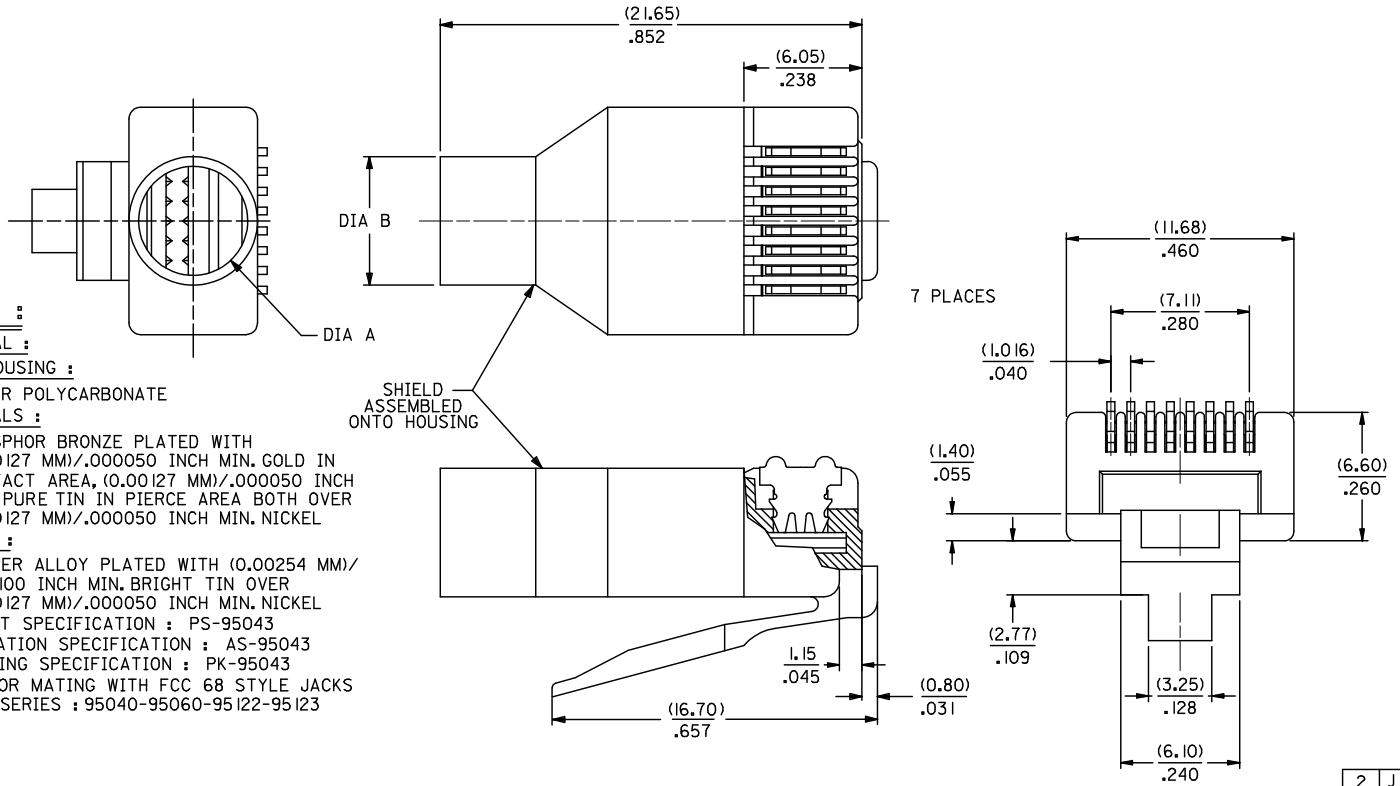


10 9 8 7 6 5 4 3 2 1

**NOTES :**

- 1- MATERIAL :  
 PLUG HOUSING : CLEAR POLYCARBONATE  
 TERMINALS : PHOSPHOR BRONZE PLATED WITH (0.00127 MM)/.000050 INCH MIN. GOLD IN CONTACT AREA, (0.00127 MM)/.000050 INCH MIN. PURE TIN IN PIERCE AREA BOTH OVER (0.00127 MM)/.000050 INCH MIN. NICKEL  
 SHIELD : COPPER ALLOY PLATED WITH (0.00254 MM)/.000100 INCH MIN. BRIGHT TIN OVER (0.00127 MM)/.000050 INCH MIN. NICKEL
- 2- PRODUCT SPECIFICATION : PS-95043
- 3- APPLICATION SPECIFICATION : AS-95043
- 4- PACKAGING SPECIFICATION : PK-95043
- 5- PLUG FOR MATING WITH FCC 68 STYLE JACKS  
 MOLEX SERIES : 95040-95060-95122-95123



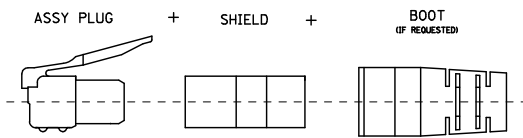
|   |   |
|---|---|
| 2 | J |
| 1 | K |

| SEE SHEET 2<br>EC NO: E2009-0512<br>DR: WINDCARTON<br>CHKD: CHYK<br>APPR: WALLACE<br>2009/04/17<br>2009/04/17<br>2009/04/17 | QUALITY SYMBOLS   | GENERAL TOLERANCES (UNLESS SPECIFIED)<br><table border="1"> <tr> <th></th> <th>mm</th> <th>INCH</th> </tr> <tr> <td>4 PLACES</td> <td>± .10</td> <td>± .004</td> </tr> <tr> <td>3 PLACES</td> <td>± .15</td> <td>± .006</td> </tr> <tr> <td>2 PLACES</td> <td>± .25</td> <td>± .010</td> </tr> <tr> <td>1 PLACE</td> <td>± .35</td> <td>± .014</td> </tr> <tr> <td colspan="3">ANGULAR ± 2 °</td> </tr> </table> |   | mm     | INCH | 4 PLACES | ± .10 | ± .004 | 3 PLACES | ± .15 | ± .006 | 2 PLACES | ± .25 | ± .010 | 1 PLACE | ± .35 | ± .014 | ANGULAR ± 2 ° |  |  | DIMENSION STYLE | SCALE | DESIGN UNITS | THIRD ANGLE PROJECTION<br>MOLEX INCORPORATED<br>SDA-95043 |
|---|---|--|---|--------|------|----------|-------|--------|----------|-------|--------|----------|-------|--------|---------|-------|--------|---------------|--|--|-----------------|-------|--------------|---|
|   |   |  | mm  | INCH   |      |          |       |        |          |       |        |          |       |        |         |       |        |               |  |  |                 |       |              |   |
|   | 4 PLACES  |  | ± .10   | ± .004 |      |          |       |        |          |       |        |          |       |        |         |       |        |               |  |  |                 |       |              |   |
|   | 3 PLACES  |  | ± .15   | ± .006 |      |          |       |        |          |       |        |          |       |        |         |       |        |               |  |  |                 |       |              |   |
| 2 PLACES  | ± .25   | ± .010   |   |        |      |          |       |        |          |       |        |          |       |        |         |       |        |               |  |  |                 |       |              |   |
| 1 PLACE   | ± .35   | ± .014   |   |        |      |          |       |        |          |       |        |          |       |        |         |       |        |               |  |  |                 |       |              |   |
| ANGULAR ± 2 °   |   |  |   |        |      |          |       |        |          |       |        |          |       |        |         |       |        |               |  |  |                 |       |              |   |
| ▽=0<br>▽=0  | MM/IN   | 1:1  | METRIC  |        |      |          |       |        |          |       |        |          |       |        |         |       |        |               |  |  |                 |       |              |   |
| DRAFT WHERE APPLICABLE MUST REMAIN WITHIN DIMENSIONS  | DRAWN BY: CB<br>CHECKED BY: TB<br>APPROVED BY: FB   | DATE: _____<br>DATE: _____<br>DATE: _____  | TITLE: SHIELDED MODULAR PLUG 8 POSITION FOR ROUND CABLE<br>MOLEX INCORPORATED<br>DOCUMENT NO. SDA-95043 |        |      |          |       |        |          |       |        |          |       |        |         |       |        |               |  |  |                 |       |              |   |
| MATERIAL NO. SEE SHEET 2<br>SIZE A3   | THIS DRAWING CONTAINS INFORMATION THAT IS PROPRIETARY TO MOLEX INCORPORATED AND SHOULD NOT BE USED WITHOUT WRITTEN PERMISSION | SHEET NO. 1 OF 2   |   |        |      |          |       |        |          |       |        |          |       |        |         |       |        |               |  |  |                 |       |              |   |

10 | 9 | 8 | 7 | 6 | 5 | 4 | 3 | 2 | 1

| ASSEMBLY PART NUMBER | TOOLED | CABLE DIAMETER        | BOOT  |         | DIM A | DIM B       | 'MG' MARK   | PARTS/ UNIT | PACKAGING VERSION |   |
|----------------------|--------|-----------------------|-------|---------|-------|-------------|-------------|-------------|-------------------|---|
|                      |        |                       | COLOR | RAL NBR |       |             |             |             |                   |   |
| 95043-1881           | YES    | (5.10-5.60)/.200-.220 | NO    | N/A     | N/A   | (5.60)/.220 | (6.60)/.260 | NO          | 1                 | A |
| 95043-2881           | YES    | ↑                     | NO    | N/A     | N/A   | ↑           | ↑           | YES         | 1                 | A |
| 95043-2891           | YES    | ↑                     | YES   | BLACK   | 9005  | ↑           | ↑           | YES         | 1                 | A |
| 95043-2892           | YES    | ↑                     | YES   | GREY    | 7012  | ↑           | ↑           | YES         | 1                 | A |
| 95043-2893           | YES    | ↑                     | YES   | GREEN   | 6016  | ↑           | ↑           | YES         | 1                 | A |
| 95043-2894           | YES    | ↑                     | YES   | RED     | 3000  | ↑           | ↑           | YES         | 1                 | A |
| 95043-2895           | YES    | ↑                     | YES   | YELLOW  | 1021  | ↑           | ↑           | YES         | 1                 | A |
| 95043-2896           | YES    | ↑                     | YES   | BLUE    | 5015  | ↑           | ↑           | YES         | 1                 | A |
| 95043-3891           | YES    | ↓                     | YES   | BLACK   | 9005  | ↓           | ↓           | YES         | 1000              | A |
| 95043-6891           | YES    | (5.10-5.60)/.200-.220 | YES   | BLACK   | 9005  | (5.60)/.220 | (6.60)/.260 | YES         | 5                 | B |
| 95043-4881           | YES    | (5.60-6.20)/.220-.244 | NO    | N/A     | N/A   | (6.20)/.244 | (7.20)/.283 | NO          | 1                 | A |
| 95043-5881           | YES    | ↑                     | NO    | N/A     | N/A   | ↑           | ↑           | YES         | 1                 | A |
| 95043-5891           | YES    | ↑                     | YES   | BLACK   | 9005  | ↑           | ↑           | YES         | 1                 | A |
| 95043-5892           | YES    | ↑                     | YES   | GREY    | 7012  | ↑           | ↑           | YES         | 1                 | A |
| 95043-5893           | YES    | ↑                     | YES   | GREEN   | 6016  | ↑           | ↑           | YES         | 1                 | A |
| 95043-5894           | YES    | ↑                     | YES   | RED     | 3000  | ↑           | ↑           | YES         | 1                 | A |
| 95043-5895           | YES    | ↑                     | YES   | YELLOW  | 1021  | ↑           | ↑           | YES         | 1                 | A |
| 95043-5896           | YES    | ↓                     | YES   | BLUE    | 5015  | ↓           | ↓           | YES         | 1                 | A |
| 95043-5897           | YES    | (5.60-6.20)/.220-.244 | YES   | BLACK   | 9005  | (6.20)/.244 | (7.20)/.283 | YES         | 1                 | C |

### SHIELDED PLUG COMPOSITION



| <b>ADDED OPTION</b><br>EIC NO: E22009-0512<br>DRWNG: CARTON 2009/04/17<br>CHKD: 2009/04/17<br>APPR: WALLACE 2009/04/17<br>REV DESCRIPTION | QUALITY SYMBOLS<br>▽=0<br>▽=0 | GENERAL TOLERANCES (UNLESS SPECIFIED)<br><table border="1"> <tr> <th></th> <th>mm</th> <th>INCH</th> </tr> <tr> <td>4 PLACES</td> <td>± .010</td> <td>± .0004</td> </tr> <tr> <td>3 PLACES</td> <td>± .015</td> <td>± .0006</td> </tr> <tr> <td>2 PLACES</td> <td>± .025</td> <td>± .0010</td> </tr> <tr> <td>1 PLACE</td> <td>± .035</td> <td>± .0014</td> </tr> <tr> <td colspan="3">ANGULAR ± 2 °</td> </tr> </table> |   | mm | INCH | 4 PLACES | ± .010 | ± .0004 | 3 PLACES | ± .015 | ± .0006 | 2 PLACES | ± .025 | ± .0010 | 1 PLACE | ± .035 | ± .0014 | ANGULAR ± 2 ° |  |  | DIMENSION STYLE<br>MM/IN<br>DRAWN BY: CB DATE: _____<br>CHECKED BY: TB DATE: _____<br>APPROVED BY: FB DATE: _____ | SCALE: 1:1<br>DESIGN UNITS: METRIC<br>THIRD ANGLE PROJECTION |
|---|-------------------------------|--|---|----|------|----------|--------|---------|----------|--------|---------|----------|--------|---------|---------|--------|---------|---------------|--|--|---|--|
|   |                               | mm   | INCH  |    |      |          |        |         |          |        |         |          |        |         |         |        |         |               |  |  |   |  |
|   | 4 PLACES                      | ± .010   | ± .0004   |    |      |          |        |         |          |        |         |          |        |         |         |        |         |               |  |  |   |  |
|   | 3 PLACES                      | ± .015   | ± .0006   |    |      |          |        |         |          |        |         |          |        |         |         |        |         |               |  |  |   |  |
| 2 PLACES  | ± .025                        | ± .0010  |   |    |      |          |        |         |          |        |         |          |        |         |         |        |         |               |  |  |   |  |
| 1 PLACE   | ± .035                        | ± .0014  |   |    |      |          |        |         |          |        |         |          |        |         |         |        |         |               |  |  |   |  |
| ANGULAR ± 2 °   |                               |  |   |    |      |          |        |         |          |        |         |          |        |         |         |        |         |               |  |  |   |  |
| DRAFT WHERE APPLICABLE MUST REMAIN WITHIN DIMENSIONS  |                               | MATERIAL NO. SEE CHART<br>SIZE: A3   | TITLE: SHIELDED MODULAR PLUG 8 POSITION FOR ROUND CABLE<br>MOLEX INCORPORATED<br>DOCUMENT NO. SDA-95043<br>SHEET NO. 2 OF 2 |    |      |          |        |         |          |        |         |          |        |         |         |        |         |               |  |  |   |  |
| THIS DRAWING CONTAINS INFORMATION THAT IS PROPRIETARY TO MOLEX INCORPORATED AND SHOULD NOT BE USED WITHOUT WRITTEN PERMISSION             |                               |  |   |    |      |          |        |         |          |        |         |          |        |         |         |        |         |               |  |  |   |  |

ib\_frame\_A3\_P\_ME\_T  
Rev. D 2004/04/02

9 | 8 | 7 | 6 | 5 | 4 | 3 | 2 | 1