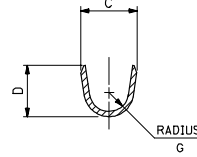
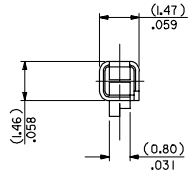
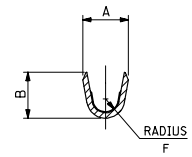


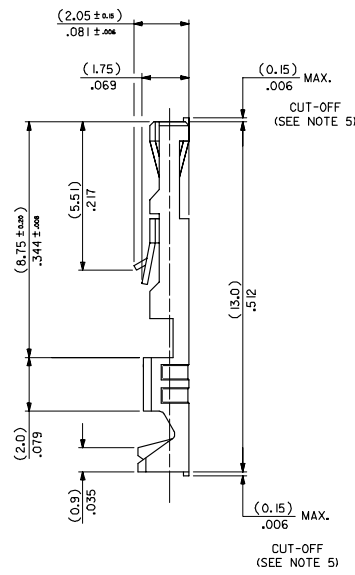
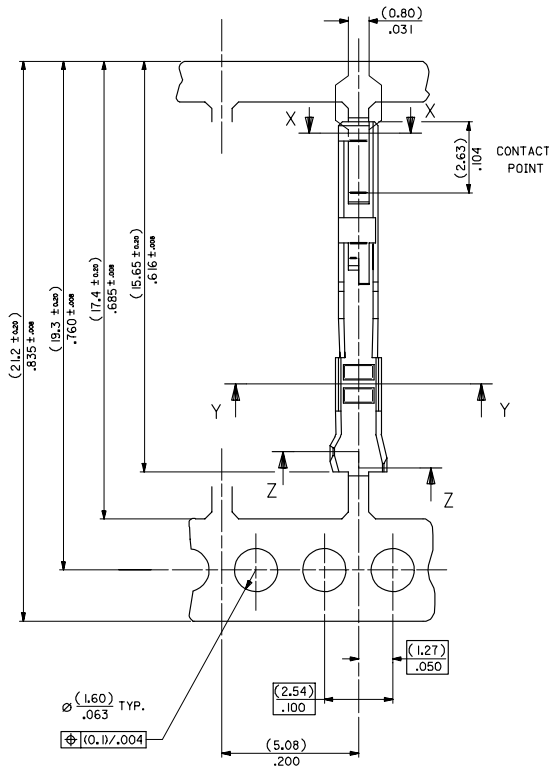
SECTION X-X



SECTION Z-Z  
INSULATION BARREL



SECTION Y-Y  
WIRE BARREL



NOTES:

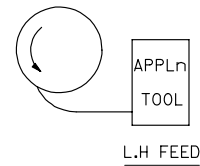
1. MATERIAL - PHOSPHOR BRONZE CDA 521 THICKNESS: (0.200) / .008 TENSILE STRENGTH: 655-760 N/mm<sup>2</sup> PLATING - SEE SHEET 2
2. FOR DIMENSIONS A, B, C, D, F & G SEE SHEET 2
3. FOR WIRE SIZE & INSULATION DIA SEE SHEET 2
4. THIS TERMINAL TO MATE WITH (0.635) / .025 SQUARE PIN
5. MAX BURR AFTER CUT-OFF (0.025) / .001

REMOVED LEAD REF. EC NO: E2006-0155 DRAWN: JDENNEHY 2005/08/29 CHKD: MORIARTY 2005/08/29 APPR: JDENNEHY 2005/09/05	QUALITY SYMBOLS ▽=0 ▽=0	GENERAL TOLERANCES (UNLESS SPECIFIED)		DIMENSION STYLE MM ONLY	SCALE 10:1	DESIGN UNITS METRIC	THIRD ANGLE PROJECTION						
		4 PLACES ±.004 ±.004	3 PLACES ±.004 ±.004	2 PLACES ±.01 ±.008	1 PLACE ±.02 ±.004	ANGULAR ± 5°	DRAWN BY NPC 1987/08/27	CHECKED BY D. MORIARTY 2005/08/26	APPROVED BY JDENNEHY 2005/08/26	TITLE C-GRID III FEMALE CRIMP TERMINAL	MATERIAL NO. SEE CHART	DOCUMENT NO. SD-90119	SHEET NO. 1 OF 2
DRAFT WHERE APPLICABLE MUST REMAIN WITHIN DIMENSIONS		THIS DRAWING CONTAINS INFORMATION THAT IS PROPRIETARY TO MOLEX INCORPORATED AND SHOULD NOT BE USED WITHOUT WRITTEN PERMISSION											

10 9 8 7 6 5 4 3 2 1

PART No	PLATING	REELING	WIRE SIZE (AWG)	INSULATION RANGE	CRIMP DIMENSIONS					
					WIRE BARREL			INSULATION BARREL		
					A $\pm \frac{(0.5)}{.006}$	B $\pm \frac{(0.5)}{.006}$	F $\pm \frac{(0.5)}{.006}$	C $\pm \frac{(0.5)}{.006}$	D $\pm \frac{(0.5)}{.006}$	G $\pm \frac{(0.5)}{.006}$
90119-0109	A	L.H FEED	22,24	(1.02-1.47) .040-.058	(1.70)	(1.70)	(0.51)	(2.10)	(1.90)	(0.70)
-0110	E				.067	.067	0.20	.083	.075	0.27
-0111	F									
-0120	A									
-0121	E									
-0122	F	LOOSE PIECE PARTS	26,28	(0.76-1.22) .030-.048	(1.37)	(1.37)	(0.28)	(2.00)	(1.70)	(0.60)
-2109	A				.054	.054	0.11	.079	.067	0.24
-2110	E									
-2111	F									
-2120	A									
-2121	E									
90119-2122	F									

TYPE	PLATING
A	PRE-PLATED HOT DIP TIN (1.0 to 2.5 um)/.00004 TO .0001
E	(1.27 TO 1.78um)/.00005 TO .00007 NICKEL OVERALL. (0.38 TO 0.64um)/.000015 TO .000025 GOLD ON CONTACT AREA. (3.0 TO 5.0 um)/.00012 TO .0002 TIN ON TERMINATION AREA.
F	(1.27 TO 1.78um)/.00005 TO .00007 NICKEL OVERALL. (0.76 TO 0.10 um)/.00003 TO .00004 GOLD ON CONTACT AREA. (3.0 TO 5.0 um)/.00012 TO .0002 TIN ON TERMINATION AREA.



REMOVED LEAD REF. EC NO: E2006-0155 DRAWN: J DENNEHY 2005/08/29 CHKD: DMOR IARTY 2005/08/29 APPR: J DENNEHY 2005/09/05	QUALITY SYMBOLS	GENERAL TOLERANCES (UNLESS SPECIFIED)	DIMENSION STYLE	SCALE	DESIGN UNITS	THIRD ANGLE PROJECTION
	▽=0	mm INCH	MM ONLY	---	METRIC	☉
	▽=0	4 PLACES ± --- ± ---	DRAWN BY	DATE	TITLE	
		3 PLACES ± --- ± ---	KS	1987/09/01	C-GRID III FEMALE CRIMP TERMINAL	
	2 PLACES ± --- ± ---	CHECKED BY	DATE	MOLEX INCORPORATED		
	1 PLACE ± --- ± ---	DMOR IARTY	2005/08/26			
	ANGULAR ± ---°	APPROVED BY	DATE			
		J DENNEHY	2005/08/26			
		MATERIAL NO.	DOCUMENT NO.	SHEET NO.		
		SEE CHART	SD-90119	2 OF 2		
		THIS DRAWING CONTAINS INFORMATION THAT IS PROPRIETARY TO MOLEX INCORPORATED AND SHOULD NOT BE USED WITHOUT WRITTEN PERMISSION				

9 8 7 6 5 4 3 2 1