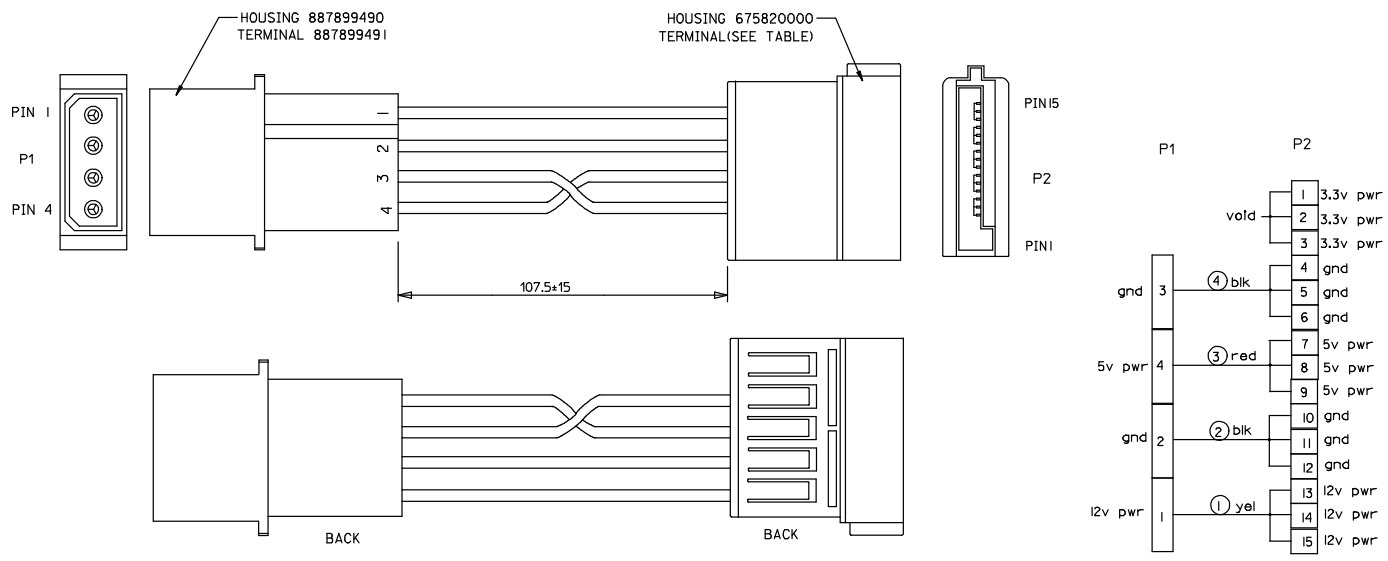


7      6      5      4      3      2      1



NOTE: 1. ELECTRIC PERFORMANCE.  
 DIELECTRIC STRENGTH: 500V DC/0.01Sec.  
 INSULATION RESISTANCE: 100M OHMS Min.  
 CONNECTION RESISTANCE: 2 OHMS Max.

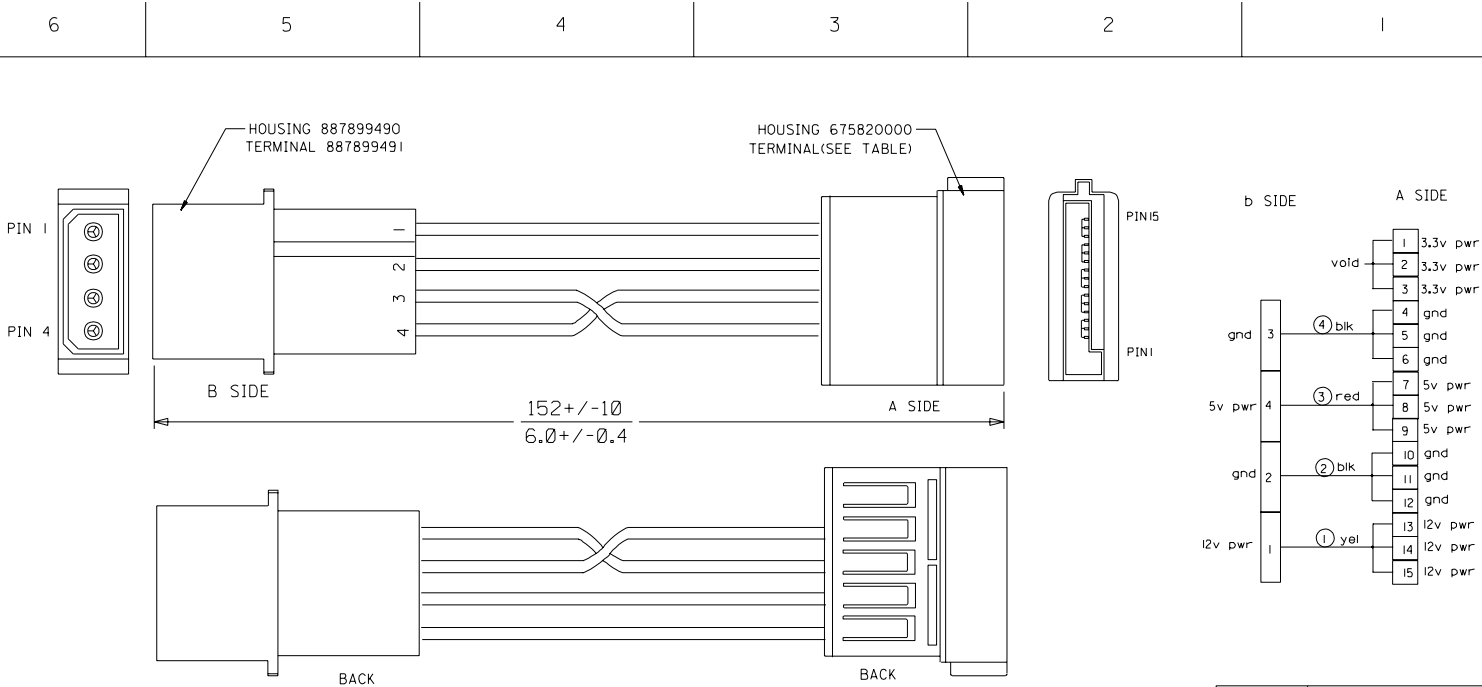
2. HOUSING 687520000:  
 POLYESTER(PBT), UL94V-0(BLACK)  
 TERMINAL 675810000  
 AU FLASH PLATING

887511311	675810001 30u" Gold-plated
887511310	675810000 GOLD FLASH
MATERIAL NO.	TERMINAL

4	UL1007 #18 BLK 887711300
3	UL1007 #18 RED 887711301
2	UL1007 #18 BLK 887711300
1	UL1007 #18 YEL 887711303
Item	WIRE TYPE

EC NO: DG2008-0074 DRW: ZWZSHAO 2008/02/20 CHKD: 2008/02/20 APPR: BLAU 2008/02/21 REV DESCRIPTION	QUALITY SYMBOLS	GENERAL TOLERANCES (UNLESS SPECIFIED) <table border="1"> <tr> <td></td> <td>mm</td> <td>INCH</td> </tr> <tr> <td>4 PLACES</td> <td>± ---</td> <td>± ---</td> </tr> <tr> <td>3 PLACES</td> <td>± ---</td> <td>± ---</td> </tr> <tr> <td>2 PLACES</td> <td>± ---</td> <td>± ---</td> </tr> <tr> <td>1 PLACE</td> <td>± ---</td> <td>± ---</td> </tr> <tr> <td colspan="3">ANGULAR ± ---°</td> </tr> </table>		mm	INCH	4 PLACES	± ---	± ---	3 PLACES	± ---	± ---	2 PLACES	± ---	± ---	1 PLACE	± ---	± ---	ANGULAR ± ---°			DIMENSION STYLE MM ONLY DRAWN BY ZWZSHAO DATE 2008/02/20 CHECKED BY ARKAN DATE 2008/02/20 APPROVED BY BLAU DATE 2008/02/20	SCALE --- DESIGN UNITS METRIC THIRD ANGLE PROJECTION	TITLE SATA POWER CABLE
			mm	INCH																			
	4 PLACES		± ---	± ---																			
	3 PLACES		± ---	± ---																			
2 PLACES	± ---	± ---																					
1 PLACE	± ---	± ---																					
ANGULAR ± ---°																							
DRAFT WHERE APPLICABLE MUST REMAIN WITHIN DIMENSIONS	MATERIAL NO. 887511310/887511311 DOCUMENT NO. SD-88755-001	SHEET NO. 1 OF 1																					
THIS DRAWING CONTAINS INFORMATION THAT IS PROPRIETARY TO MOLEX INCORPORATED AND SHOULD NOT BE USED WITHOUT WRITTEN PERMISSION																							

6      5      4      3      2      1



NOTE: 1. ELECTRIC PERFORMANCE:  
 DIELECTRIC STRENGTH: 500 V DC/0.01Sec.  
 INSULATION RESISTANCE: 100M OHMS Min.  
 CONDUCTIVE RESISTANCE: 2 OHMS Max.  
 2. HOUSING 675820000:  
 POLYESTER(PBT), UL94V-0(BLACK)

887511311	675810001 30u" Gold-plated
887511310	675810000 GOLD FLASH
MATERIAL NO.	TERMINAL

4	UL1007 #18 BLK 887711300
3	UL1007 #18 RED 887711301
2	UL1007 #18 BLK 887711300
1	UL1007 #18 YEL 887711303
Item	WIRE TYPE

CONNECTION DIAGRAM	
DIMENSIONS:	SHT REV
<input checked="" type="checkbox"/> mm <input type="checkbox"/> INCH <input type="checkbox"/> mm ONLY	REVISE ON CAD ONLY

EC NO. DRWN: Louis 04/03/23 CHK: APPR:	EC NO. DRWN: BENITZ 02/08/08 CHK: APPR:	DESCRIPTION	QUALITY SYMBOLS	GENERAL TOLERANCES: (UNLESS SPECIFIED)		SCALE	DESIGN UNITS	THIRD ANGLE PROJECTION	TITLE: S-ATA POWER ADAPTER CABLE ASSEMBLY, 6 INCH (5V+12V)
			MAJOR ▼ = 0 CRITICAL ▽ = 0	mm	INCH	<input checked="" type="checkbox"/> mm <input type="checkbox"/> INCH	DRAWN BY & DATE BENTZ 02/08/08		
REV			4 PLACES ±0.	±.	CHECKED BY & DATE Tony Wong 02/08/08	APPROVED BY & DATE Tony Wong 02/08/08		MATERIAL NO. SEE TABLE	
			3 PLACES ±0.	±.	CAD FILENAME S88755AA.S01		DRAWING NO. SD-88755-001		SHEET NO. 1 OF 1
			2 PLACES ±0.	±.	THIS DRAWING CONTAINS INFORMATION THAT IS PROPRIETARY TO MOLEX INCORPORATED AND SHOULD NOT BE USED WITHOUT WRITTEN PERMISSION.		SIZE A4		
			1 PLACE ±0.	±.					
			ANGULAR: ±	0					

WBORD\_A.BOR REV A  
97/05/14 LEVEL 3