

## FEATURES AND SPECIFICATIONS

### Features and Benefits

- Performance levels 1 and 2
- Flux proof option
- Dual opposing beam contact
- Board lock option
- Coding option
- Solder tails for 1.6mm (.062") and 3.2mm (.125") PCBs

### Reference Information

Product Specification: PS-85042-0001

Packaging: Tray

UL File No.: E29179

CSA File No.: LR19980-390

Mates With:

85003—Right angle male style C

85013—Straight male style R

### Electrical

Current: 1.5A

Contact Resistance: 20mΩ max.

### Mechanical

Mating Force: 0.93N max.

### Physical

Housing: Glass-filled polyester, UL 94 V-0

Contact: Copper Alloy

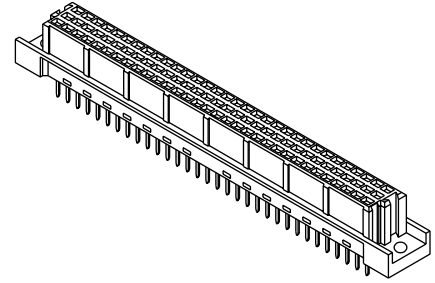
Operating Temperature: -55 to +125°C



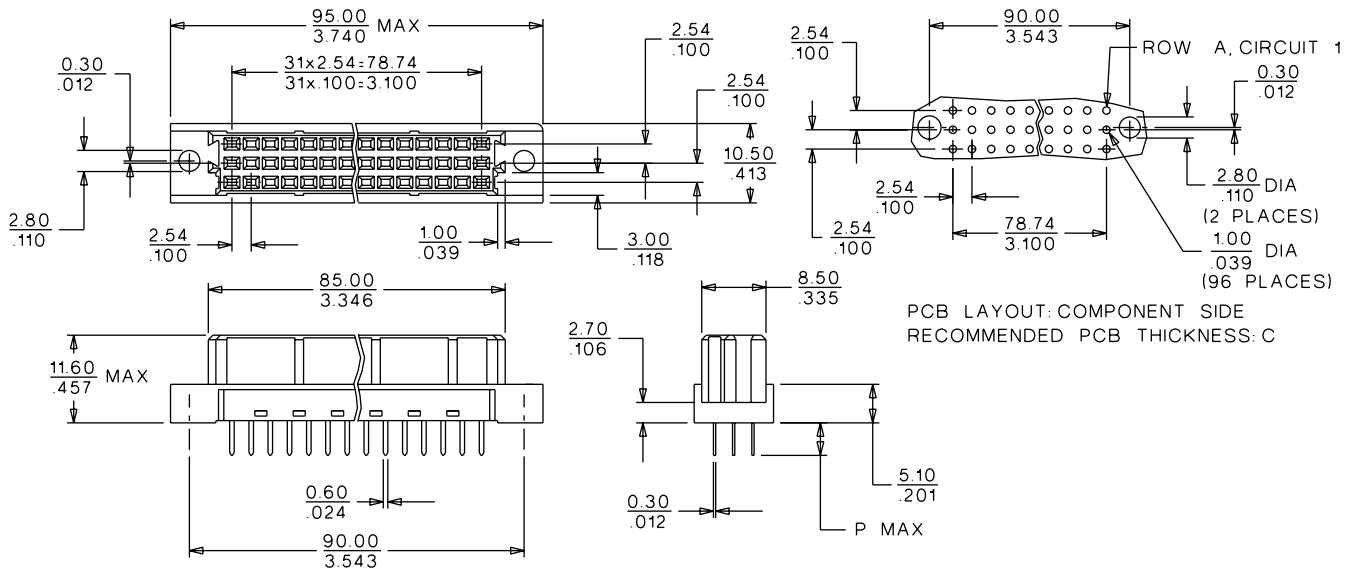
# 2.54mm (.100") Pitch DIN 41612/IEC 603-2 Connector

## 85042

## Female Style C



## CATALOG DRAWING (FOR REFERENCE ONLY)



## ORDERING INFORMATION AND DIMENSIONS

Circuits	Order No.		Contact Loading	Rows	Solder Tail Dimension P	Option(s)
	Performance Level*	2				
32	1	85042-3316	Even only	a, c	2.9 (.114)	Board locks, flux proof
	2	85042-0397				
64	1	85042-1299	Full	a, c	2.9 (.114)	Board locks
	2	85042-0268				Flux-proof
	1	85042-3639				Coding
	2	85042-2529				
	1	85042-2359			4.5 (.177)	Coding
	2	85042-3524				Flux-proof
	1	85042-1249				Board locks
	2	85042-0177				
1	85042-0189					
2	85042-0191					
2	85042-4696					

Circuits	Order No.		Contact Loading	Rows	Solder Tail Dimension P	Option(s)
	Performance Level*	2				
96	1	85042-1304	Full	a, b, c	2.9 (.114)	Board locks
	2	85042-0385				Flux-proof
	1	85042-1079				Coding
	2	85042-2347				
	1	85042-5213				4.5 (.177)
	2	85042-3548			Flux-proof	
	1	85042-1043			Board locks	
	2	85042-0270				
	1	85042-0505				
	2	85042-0282				
1	85042-0294					
2	85042-1213					

For other versions contact Molex

\* Performance levels based on test conditions per DIN 41612, part 5:

1: >500 mating cycles. 10 day industrial environment (S02)

2: >400 mating cycles. 4 day industrial environment (S02)

Backplane Connector Systems

