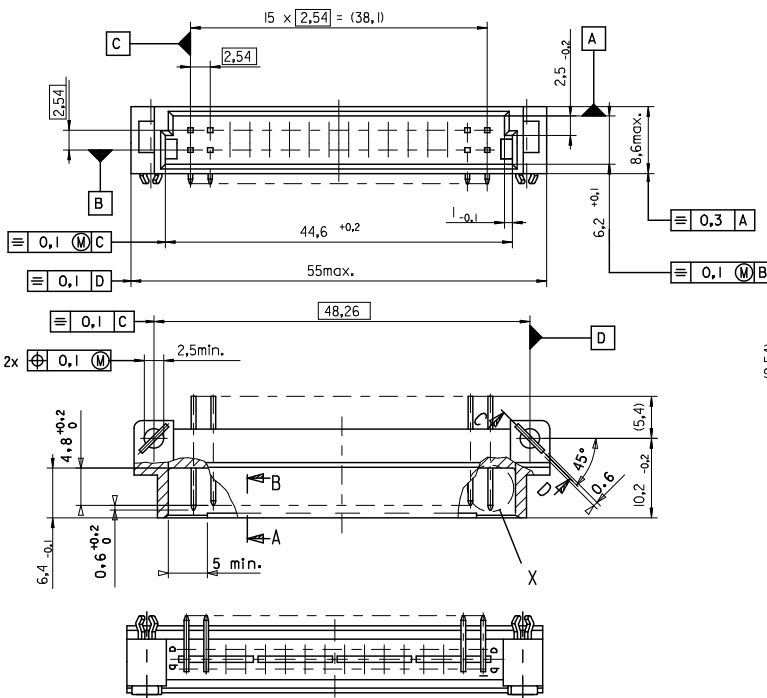
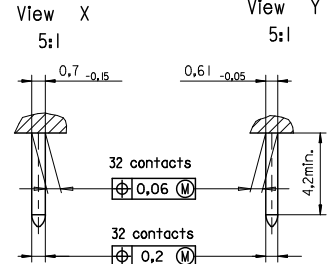
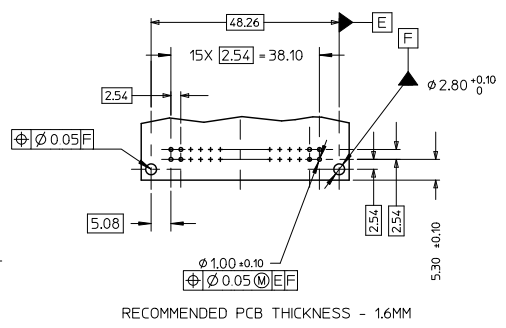


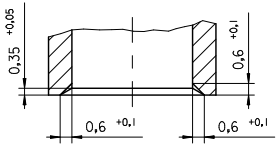
10 9 8 7 6 5 4 3 2 1



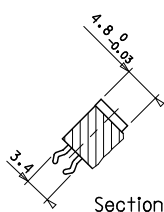
RECOMMENDED PCB LAYOUT  
COMPONENT SIDE



Section A - B  
5:1



Section C - D



ENTER DESCRIPTION EC NO: I2011-0346 DRAWN BY: VUTTARKAR CHYK: KRASAD APPR: KRASAD 2011/08/31 2011/09/02	QUALITY SYMBOLS ▽=0 ▽=0 ▽=0	GENERAL TOLERANCES (UNLESS SPECIFIED)		DIMENSION STYLE MM ONLY		SCALE	DESIGN UNITS METRIC	FIRST ANGLE PROJECTION			
		4 PLACES ± --- ± ---	3 PLACES ± --- ± ---	2 PLACES ± --- ± ---	1 PLACE ± --- ± ---	ANGULAR ± --- °	DRAWN BY VUTTARKAR	DATE	TITLE 32POS. MALE CONNECTOR ACC. DIN 41612 STYLE B/2 DIMENSIONS		
		DRAFT WHERE APPLICABLE MUST REMAIN WITHIN DIMENSIONS					CHECKED BY KRASAD	DATE	MOLEX INCORPORATED		
		MATERIAL NO. ---					APPROVED BY	DATE	DOCUMENT NO. SDA-85001-0002	SHEET NO. 1 OF 01	

