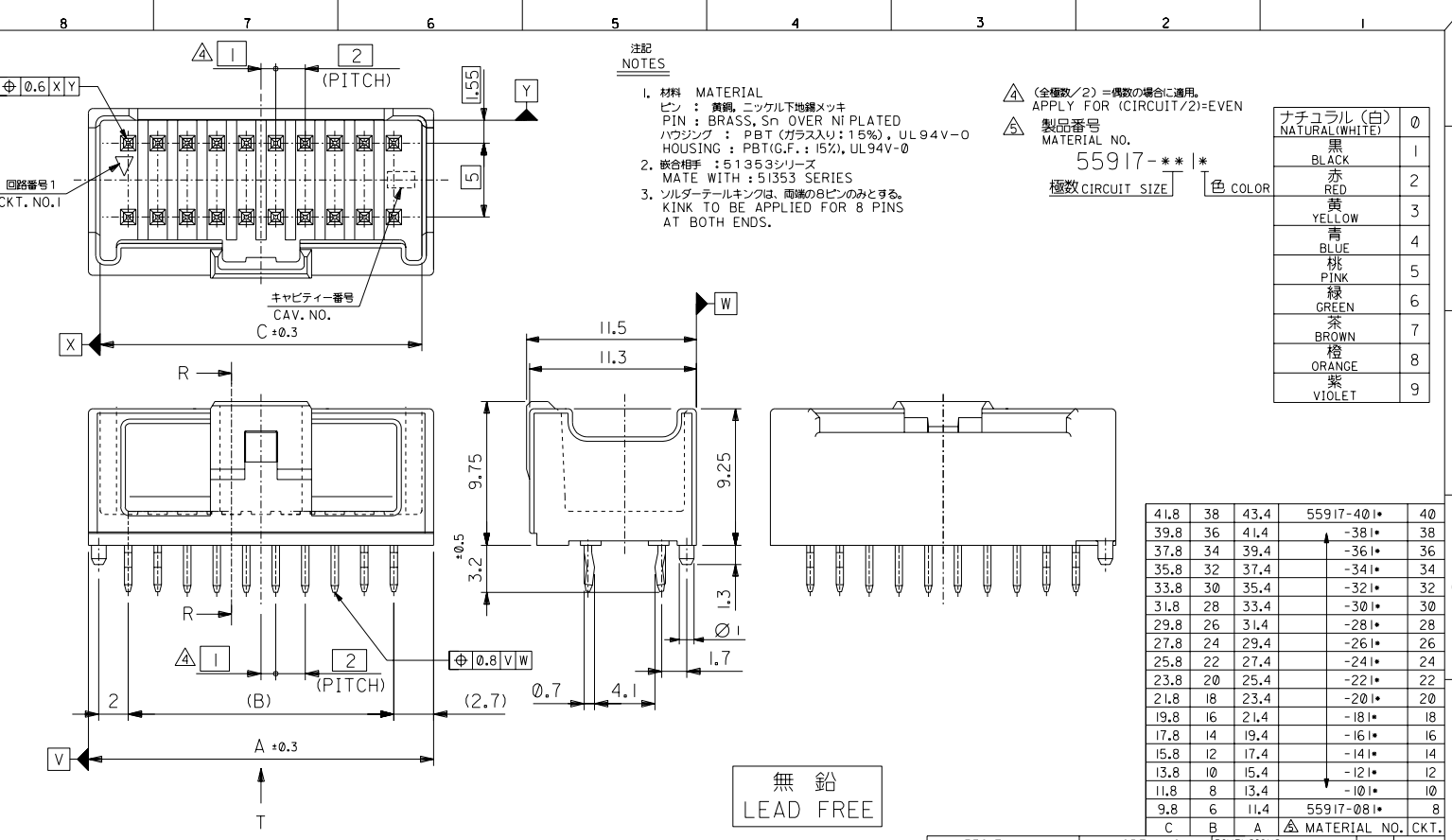


DWG. NO. SD-55917-003

回路番号1  
CKT. NO.1

キャビティー番号  
CAV. NO. C+0.3

DO NOT SCALE DRAWING



注記  
NOTES

- 材料 MATERIAL  
ピン : 黄銅, ニッケル下地鍍メッキ  
PIN : BRASS, Sn OVER NI PLATED  
ハウジング : PBT (ガラス入り: 15%), UL94V-0  
HOUSING : PBT(G.F.: 15%), UL94V-0
- 嵌合相手 : 51353シリーズ  
MATE WITH : 51353 SERIES
- ソルダーテールキックは、両端の6ピンのみとする。  
KINK TO BE APPLIED FOR 6 PINS AT BOTH ENDS.

△ (全種数/2) = 偶数の場合に適用。  
APPLY FOR (CIRCUIT/2)=EVEN  
製品番号 MATERIAL NO.  
55917-\*\*\* | \*  
極数 CIRCUIT SIZE | 色 COLOR

ナチュラル (白) NATURAL (WHITE)	0
黒 BLACK	1
赤 RED	2
黄 YELLOW	3
青 BLUE	4
桃 PINK	5
緑 GREEN	6
茶 BROWN	7
橙 ORANGE	8
紫 VIOLET	9

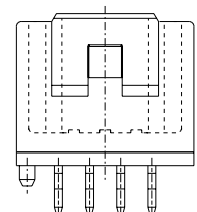
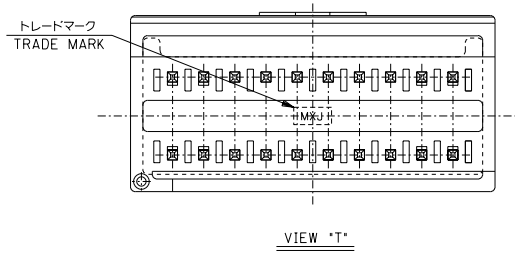
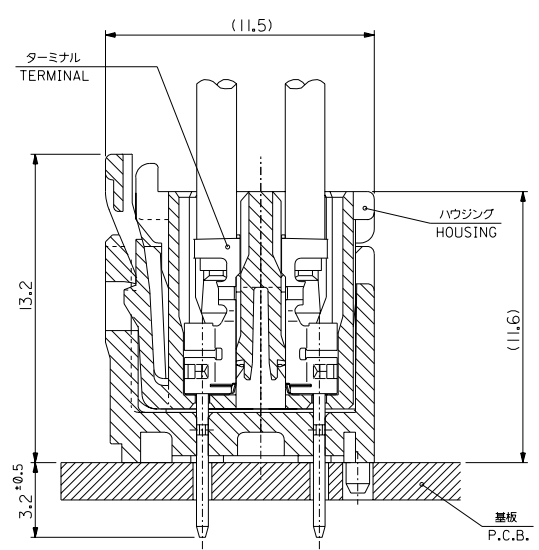
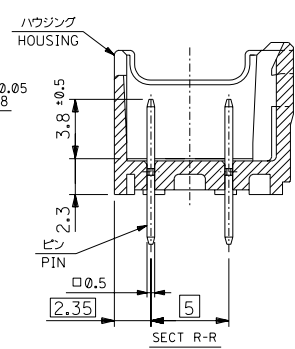
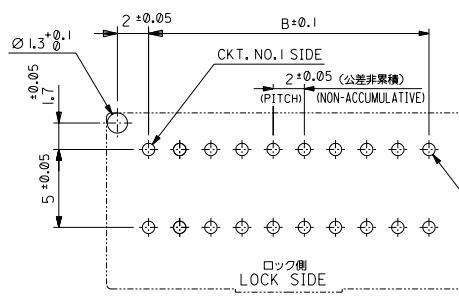
41.8	38	43.4	55917-401*	40
39.8	36	41.4	-381*	38
37.8	34	39.4	-361*	36
35.8	32	37.4	-341*	34
33.8	30	35.4	-321*	32
31.8	28	33.4	-301*	30
29.8	26	31.4	-281*	28
27.8	24	29.4	-261*	26
25.8	22	27.4	-241*	24
23.8	20	25.4	-221*	22
21.8	18	23.4	-201*	20
19.8	16	21.4	-181*	18
17.8	14	19.4	-161*	16
15.8	12	17.4	-141*	14
13.8	10	15.4	-121*	12
11.8	8	13.4	-101*	10
9.8	6	11.4	55917-081*	8
C	B	A	△ MATERIAL NO. CKT.	

無鉛  
LEAD FREE

REVISED E20NO. J2003-3290 DRAWN: ITO '03/06/26 CHK: K. ASAKAWA APPRT: Y. AMAGUCHI	REVISED E33NO. J2003-3134 DRAWN: ITO '03/06/19 CHK: K. ASAKAWA APPRT: Y. AMAGUCHI	REVISED E22NO. J2002-2307 DRAWN: ITO '02/03/18 CHK: K. ASAKAWA APPRT: Y. AMAGUCHI	REVISED E81NO. J2002-1826 DRAWN: ITO '02/02/28 CHK: K. ASAKAWA APPRT: Y. AMAGUCHI	RELEASED E20NO. J2002-1196 DRAWN: ITO '01/12/17 CHK: K. ASAKAWA APPRT: Y. AMAGUCHI	MATERIAL 材料 注記参照 SEE NOTES	GENERAL TOLERANCES: (UNLESS SPECIFIED) 一般公差	SCALE 1:1	DESIGN UNITS mm	MODEL NO. 55917-***	DIMENSIONS: mm	SHT 1	REV 1
D	C	B	A	0	FINISH 仕上付 //	10 UNDER 未満	+	0.2	DRAWN BY & DATE N. ITO '01/12/17	TITLE: 2.0mm W-t-B DUAL CONN DIP PLUG HOUSING ASS'Y ST (WITH BOSS)	INCORPORATED	
					WIRE RANGE 適用電線範囲 //	10 OVER 以上	30 UNDER 未満	+	0.25	CHECKED BY & DATE K. ASAKAWA '03/06/26	MOLEX INCORPORATED	
					INS. RANGE 被覆外径 //	30 OVER 以上		+	0.3	APPROVED BY & DATE T. YAMAGUCHI '03/06/26	SEE CHART	
					REV DESCRIPTION	ANGLE 角度		+	3°	CAD FILENAME 55917003.S01	MATERIAL NO. SD-55917-003	SHEET NO. 1 OF 2
										INCORPORATED AND SHOULD NOT BE USED WITHOUT WRITTEN PERMISSION.		SIZE B

EN-02J(097) MXJ-54

DWG. NO. SD-55917-003



無鉛  
LEAD FREE

DO NOT SCALE DRAWING	REVISED	55917-003	MODEL NO.	55917-003	DIMENSIONS:	SHT	REV	
	DRWNN: ITO	03/06/26	DESIGN UNITS	mm	mm	2	1	
	CHK: KASAKAWA		PROJECTION	1st ANGLE	mm	2	1	
	APPR: T. YAMAGUCHI				mm	2	1	
REVISED	55917-003	TITLE:	2.0mm W-t-B DUAL CONN DIP PLUG HOUSING ASS'Y ST (WITH BOSS)					
DRWNN: ITO	03/06/19	APPROVED BY & DATE	KASAKAWA 03/06/26					
CHK: KASAKAWA		CAD FILENAME	55917003.S02					
APPR: T. YAMAGUCHI		MATERIAL NO.	SEE CHART					
REVISED	55917-003	DRAWING NO.	SD-55917-003					
DRWNN: ITO	02/03/18	SHEET NO.	2 OF 2					
CHK: KASAKAWA		SIZE	A					
APPR: T. YAMAGUCHI		55917003.S02						
REVISED	55917-003	EN-02J(097) MXJ-54						
DRWNN: ITO	02/02/28							
CHK: KASAKAWA								
APPR: T. YAMAGUCHI								
RELEASED	55917-003							
DRWNN: ITO	01/12/17							
CHK: KASAKAWA								
APPR: T. YAMAGUCHI								
MATERIAL	材料	注記参照						
FINISH	仕上げ	//						
WIRE RANGE	適用電線範囲	//						
INS. RANGE	被覆外径	//						
GENERAL TOLERANCES:	(UNLESS SPECIFIED)							
10 UNDER	未満	+0.2						
10 OVER	以上	+0.25						
30 UNDER	未満	+0.3						
30 OVER	以上	+0.3						
ANGLE	角度	+3°						