

注記 NOTES:

1. 使用材料 MATERIAL  
 ハウジング: LCPガラス入り(白), UL94V-0  
 HOUSING: LCP(G.F.)(COLOR: WHITE), UL94V-0  
 ターミナル: リン青銅 (t=0.15)  
 TERMINAL: PHOSPHOR BRONZE (t=0.15)
2. メッキ仕様 PLATING  
 全体仕上げ: 金メッキ 0.1 MICROMETER MIN.  
 ALL OVER: GOLD 0.1 MICROMETER MIN.  
 下地メッキ: ニッケルメッキ 1.5 MICROMETER MIN.  
 UNDER PLATING: NICKEL 1.5 MICROMETER MIN.
3. 基準面 X からのソルダーテールの半田付け面のズレ量は、上方向 0、下方向 0.15MAX. とする。  
 MISALIGNMENT OF SOLDER TAIL FROM X  
 : UPPER DIRECTION 0, LOWER DIRECTION 0.15 MAX.

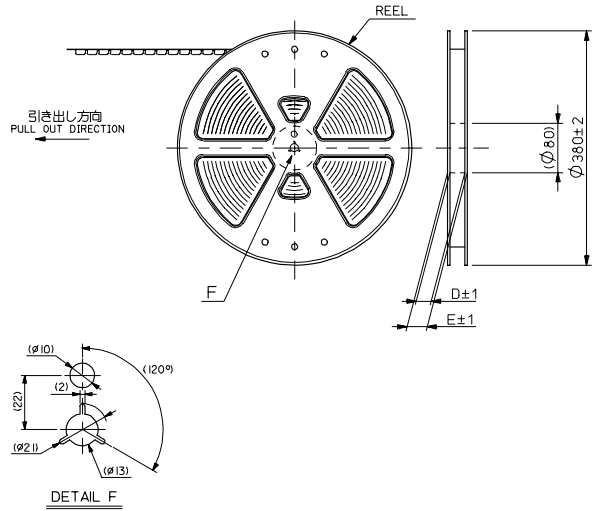
- 5 嵌合相手: 53748 シリーズ 53916 シリーズ 502280 シリーズ  
 MATE WITH: 53748 SERIES, 53916 SERIES, 502280 SERIES.
- 6 テール平坦度は、0.1MAX.  
 TAIL COPLANARITY TO BE 0.1MAX.

| C    | B    | A    | MATERIAL NO. | 極数<br>CIRCUIT |
|------|------|------|--------------|---------------|
| 23.8 | 20.2 | 19.5 | 52991-0800   | 80            |
| 21.3 | 17.7 | 17.0 | -0700        | 70            |
| 18.8 | 15.2 | 14.5 | -0600        | 60            |
| 16.3 | 12.7 | 12.0 | -0500        | 50            |
| 13.8 | 10.2 | 9.5  | -0400        | 40            |
| 11.3 | 7.7  | 7.0  | -0300        | 30            |
| 8.8  | 5.2  | 4.5  | 52991-0200   | 20            |

|                   |             |  |                            |                   |   |                           |
|-------------------|-------------|--|----------------------------|-------------------|---|---------------------------|
| REVISED           | DESCRIPTION | GENERAL TOLERANCES (UNLESS SPECIFIED)                      | DIMENSION STYLE<br>MM ONLY | SCALE<br>8:1      | DESIGN UNITS<br>METRIC  | THIRD ANGLE<br>PROJECTION |
| EC NO: J2007-0273 | 2006/07/28  | 10 UNDER ±0.2  | DRAWN BY<br>S. AIHARA      | DATE<br>'96/02/27 | TITLE<br>0.5 B/B CONN REC HOUSING<br>ASSY(W/O BOSS, W/O NAIL)<br>-LEAD FREE-  |                           |
| DRWN: TENAGASE    | 2006/08/03  | 10 OVER 30 UNDER ±0.25                                     | CHECKED BY<br>M. SASAO     | DATE<br>'01/12/26 | MOLEX INCORPORATED  |                           |
| CHKD: THIRUYAMA   | 2006/08/07  | 30 OVER ±0.3   | APPROVED BY<br>M. SASAO    | DATE<br>'01/12/26 | DOCUMENT NO.<br>SD-52991-004  | SHEET NO.<br>1 OF 1       |
| APPR: NUKITA      |             | ANGULAR ±3 °   | MATERIAL NO.               | SIZE<br>A3        | THIS DRAWING CONTAINS INFORMATION THAT IS PROPRIETARY TO MOLEX INCORPORATED AND SHOULD NOT BE USED WITHOUT WRITTEN PERMISSION |                           |
| D                 |             | DRAFT WHERE APPLICABLE<br>MUST REMAIN<br>WITHIN DIMENSIONS | SEE CHART                  |                   | EN-02JA(021)  |                           |

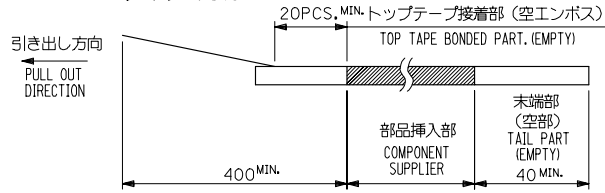
10 9 8 7 6 5 4 3 2 1

F  
E  
D  
C  
B  
A

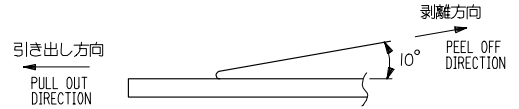


**NOTES**

1. 製品詳細寸法については図面 SD-52991-004 を参照下さい。  
RE DETAILED DIMENSION, SEE SD-52991-004
2. 梱包数量：3000個/リール  
NUMBER OF CONNECTORS：3000PCS/REEL
3. リードテープ長さ LEAD TAPE LENGTH



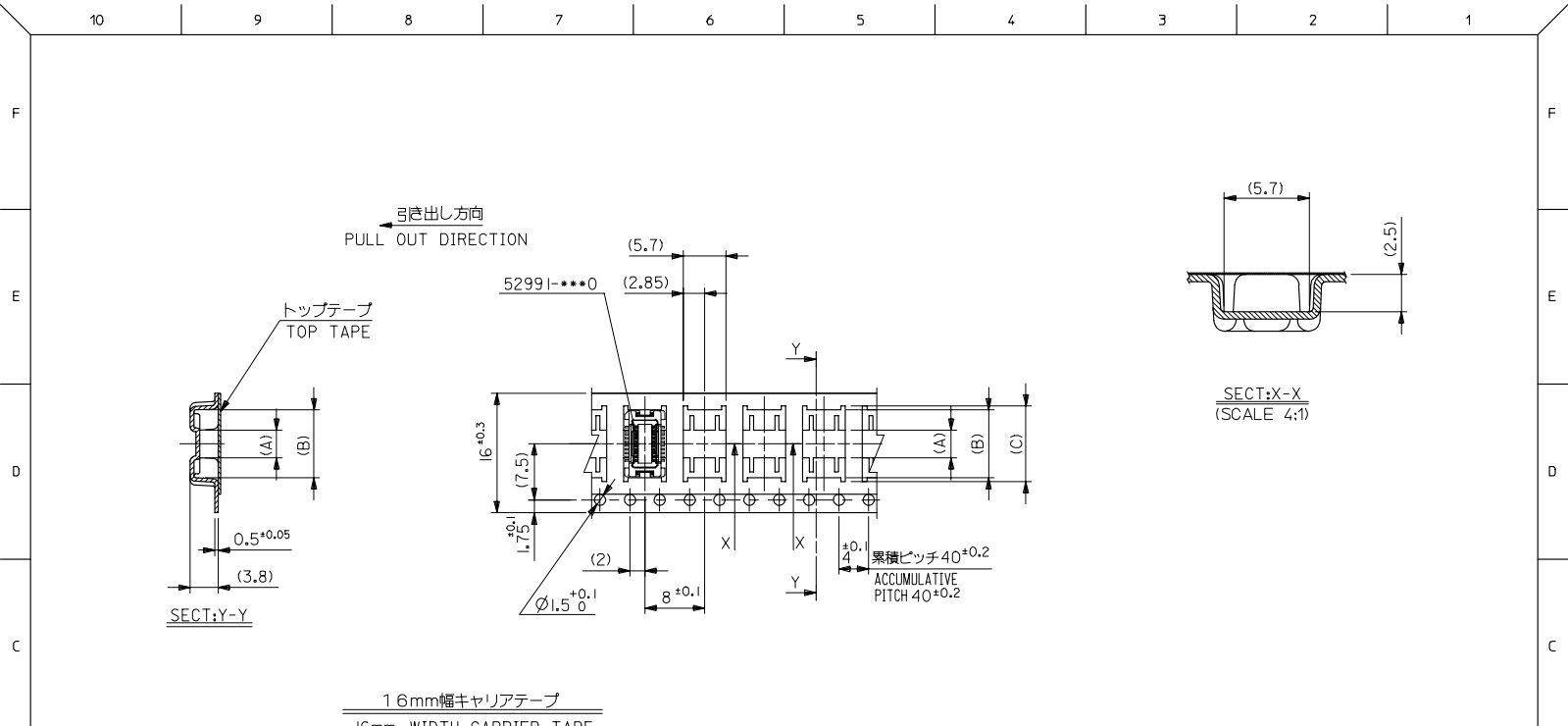
4. トップテープの剥離強度：0.1N~1.3N (10gf~130gf) (剥離方向は下図参照)  
尚、本規格値は出荷時に適用。(但し、輸送時に剥離が発生しないこと。)  
PEELING OFF FORCE OF TOP TAPE：0.1N~1.3N (10gf~130gf)  
(PEELING DIRECTION AS SHOWN IN FOLLOWING FIG.)  
THIS REQUIREMENT SHOULD BE APPLIED AT SHIPMENT.  
PEEL OFF SHOULD NOT BE ALLOWED, DURING TRANSPORTATION.



5. 材料 (MATERIAL)  
キャリアテープ (CARRIER TAPE)：ポリプロピレン (POLYPROPYLENE)  
トップテープ (TOPTAPE)：PET, PE, PEF  
リール (REEL)：ポリスチレン (P.S.) <リサイクル材を含む>  
POLYSTYRENE (P.S.) <RECYCLE MATERIAL CONTAINED>

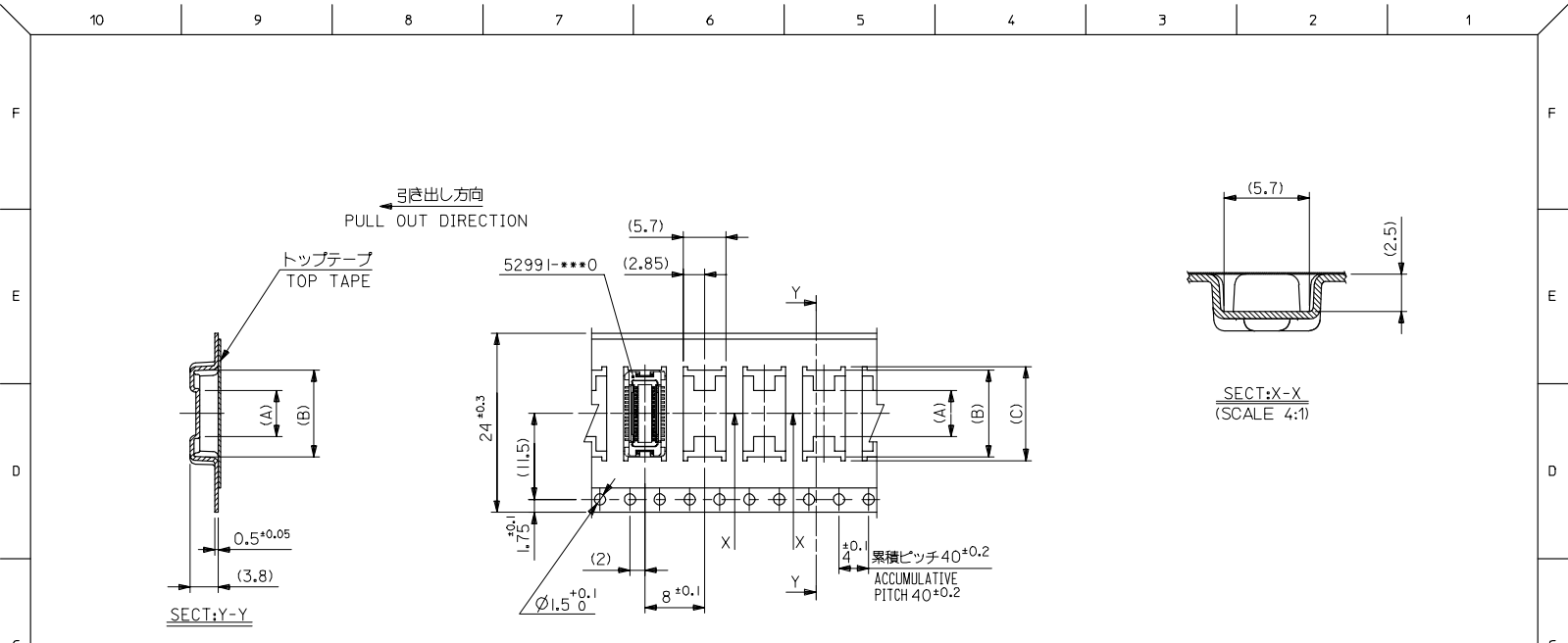
52991-\*\*\*8 MODEL NO.

|   |  |  |                            |                              |   |                        |                           |
|---|--|--|----------------------------|------------------------------|---|------------------------|---------------------------|
| REVISED<br>REV. NO. J2006-0604<br>EC NO. 2005/08/31<br>DRAWN BY<br>DRW:NAIDA<br>CHK:KATOYODA<br>2005/09/01<br>APP:NIKIITA<br>2005/09/09 | GENERAL TOLERANCES<br>(UNLESS SPECIFIED) |  | DIMENSION STYLE<br>MM ONLY |                              | SCALE<br>---  | DESIGN UNITS<br>METRIC | THIRD ANGLE<br>PROJECTION |
|   | 10 UNDER                                 | ±0.2   | DRAWN BY<br>T.NIITSU       | DATE<br>'95/10/17            | TITLE<br>0.5 B/B CONN REC HSG<br>ASSY EMBSTP PKG<br>-LEAD FREE- |                        |                           |
|   | 10 OVER 30 UNDER                         | ±0.25  | CHECKED BY<br>T. ITO       | DATE<br>'01/01/31            |   |                        |                           |
|   | 30 OVER                                  | ±0.3   | APPROVED BY<br>M.FUKUSHIMA | DATE<br>'01/01/31            | MOLEX INCORPORATED  |                        |                           |
| ANGULAR   | ±3 °                                     | MATERIAL NO.<br>SEE CHART  |                            | DOCUMENT NO.<br>SD-52991-005 |   |                        |                           |
| DRAFT WHERE APPLICABLE<br>MUST REMAIN<br>WITHIN DIMENSIONS  |  | THIS DRAWING CONTAINS INFORMATION THAT IS PROPRIETARY TO MOLEX<br>INCORPORATED AND SHOULD NOT BE USED WITHOUT WRITTEN PERMISSION |                            |                              |   |                        |                           |



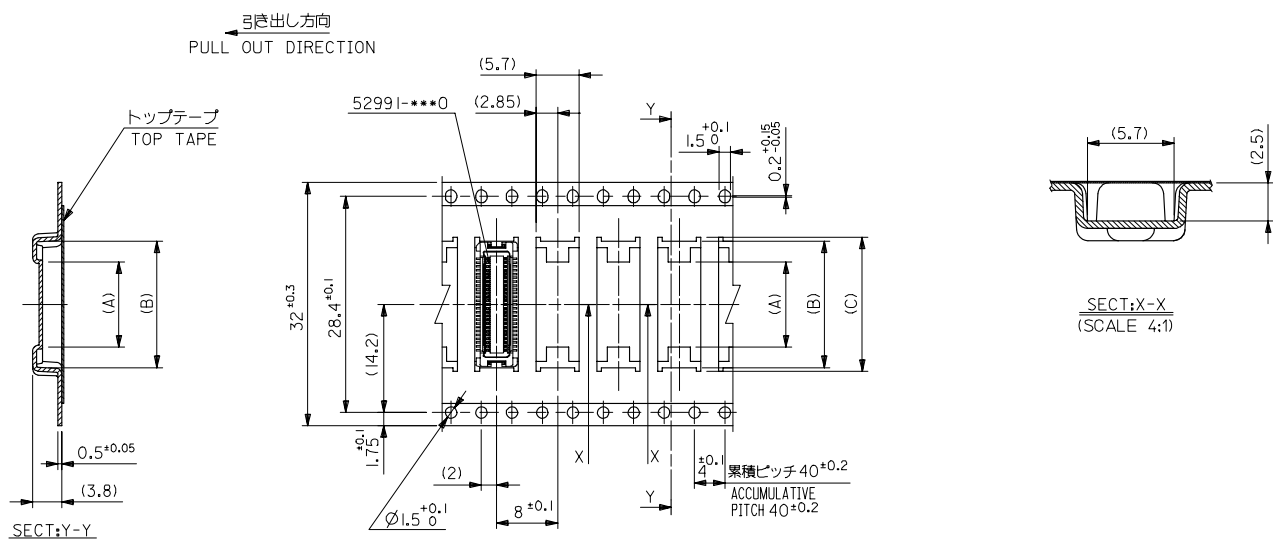
16mm幅キャリアテープ  
16mm WIDTH CARRIER TAPE

|   |                                       |   |                    |                |                |              |  |              |            |    |  |
|---|---------------------------------------|---|--------------------|----------------|----------------|--------------|--|--------------|------------|----|--|
| REVISED<br>EC NO. J2006-0604<br>DRW:NAIDA 2005/08/31<br>CHK:KTOYODA 2005/09/01<br>APPR:NIKIITA 2005/09/09 | 52991-***8                            | MODEL NO.   | 16                 | 21.4           | 17.4           | 10.1         | 9.1  | 3.7          | 52991-0208 | 20 |  |
|   | GENERAL TOLERANCES (UNLESS SPECIFIED) |   | DIMENSION STYLE    |                | SCALE          | DESIGN UNITS | THIRD ANGLE PROJECTION                                 |              |            |    |  |
|   | 10 UNDER                              | ±---  | MM ONLY            |                | ---            | METRIC       | 0.5 B/B CONN REC HSG<br>ASSY EMBSTP PKG<br>-LEAD FREE- |              |            |    |  |
|   | 10 OVER 30 UNDER                      | ±---  | DRAWN BY T. NIITSU |                | DATE '95/10/17 |              | MOLEX INCORPORATED                                     |              |            |    |  |
| 30 OVER   | ±---                                  | CHECKED BY T. ITO   |                    | DATE '01/01/31 |                | MATERIAL NO. |  | DOCUMENT NO. | SHEET NO.  |    |  |
| ANGULAR   | ±---°                                 | APPROVED BY M. FUKUSHIMA  |                    | DATE '01/01/31 |                | SEE CHART    |  | SD-52991-005 | 2 OF 6     |    |  |
| DRAFT WHERE APPLICABLE MUST REMAIN WITHIN DIMENSIONS  |                                       | THIS DRAWING CONTAINS INFORMATION THAT IS PROPRIETARY TO MOLEX INCORPORATED AND SHOULD NOT BE USED WITHOUT WRITTEN PERMISSION |                    |                |                |              |  |              |            |    |  |



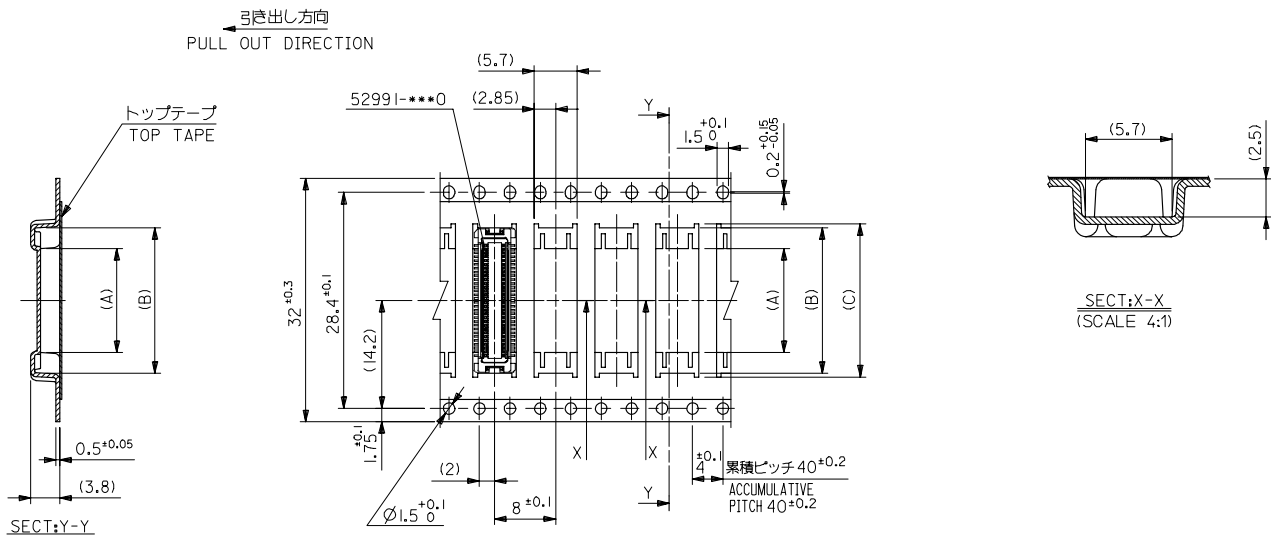
24mm幅キャリアテープ  
24mm WIDTH CARRIER TAPE

|         |                   |            |             |             |  |                 |  |    |      |       |      |              |              |                        |    |
|---------|-------------------|------------|-------------|-------------|--|-----------------|--|----|------|-------|------|--------------|--------------|------------------------|----|
| REVISED | EC NO. J2006-0604 | 2005/08/31 | 2005/09/01  | 2005/09/09  | 52991-***8   | MODEL NO.       | キャリアテープ幅<br>CARRIER TAPE WIDTH                   | 24 | 29.4 | 25.4  | 15.1 | 14.1         | 7.4          | 52991-0408             | 40 |
| D       | DRW:NAIDA         | CHK:KTYODA | APP:NIKIITA | DESCRIPTION | GENERAL TOLERANCES (UNLESS SPECIFIED)                | DIMENSION STYLE | MM ONLY  | E  | D    | (C)   | (B)  | (A)          | MATERIAL NO. | 種数<br>CKT.             |    |
|         |                   |            |             |             | 10 UNDER ±---  | DRAWN BY        | S. AIHARA  |    |      |       |      |              | 52991-0308   | 30                     |    |
|         |                   |            |             |             | 10 OVER 30 UNDER ±---                                | CHECKED BY      | T. ITO   |    |      |       |      |              |              |                        |    |
|         |                   |            |             |             | 30 OVER ±---   | APPROVED BY     | M. FUKUSHIMA                                     |    |      |       |      |              |              |                        |    |
|         |                   |            |             |             | ANGULAR ±--- °                                       | MATERIAL NO.    | SEE CHART  |    |      |       |      |              |              |                        |    |
|         |                   |            |             |             | DRAFT WHERE APPLICABLE MUST REMAIN WITHIN DIMENSIONS | SIZE            | A3   |    |      |       |      |              |              |                        |    |
|         |                   |            |             |             |  | TITLE           | 0.5 B/B CONN REC HSG ASSY EMBSTP PKG -LEAD FREE- |    |      | SCALE | ---  | DESIGN UNITS | METRIC       | THIRD ANGLE PROJECTION |    |
|         |                   |            |             |             |  | DOCUMENT NO.    | SD-52991-005                                     |    |      |       |      |              |              |                        |    |
|         |                   |            |             |             |  | SHEET NO.       | 3 OF 6   |    |      |       |      |              |              |                        |    |



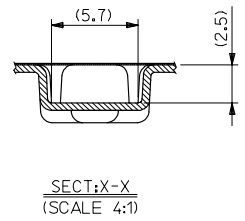
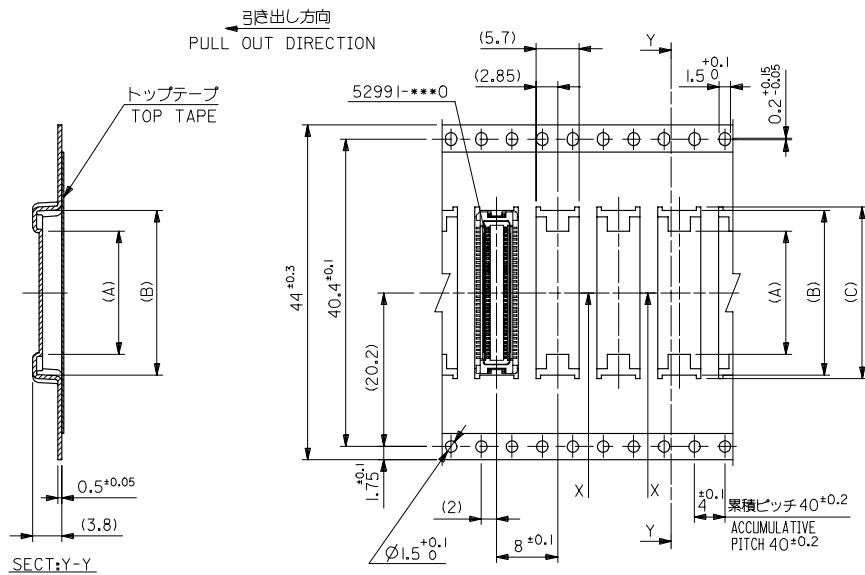
32mm幅キャリアテープ  
32mm WIDTH CARRIER TAPE

|  |                        |             |             |             |   |                 |                                |       |              |              |              |             |            |                    |            |
|--|------------------------|-------------|-------------|-------------|---|-----------------|--------------------------------|-------|--------------|--------------|--------------|-------------|------------|--------------------|------------|
| REVISED<br>REV D                                     | EC NO. J2006-0604      | 2005/08/31  | 2005/09/01  | 2005/09/09  | 52991-***8  | MODEL NO.       | 32                             | 37.4  | 33.4         | 17.6         | 16.6         | 11.2        | 52991-0508 | 50                 |            |
|  | DRW:NAIDA              | CHK:KTOYODA | APP:NIKIITA | DESCRIPTION | GENERAL TOLERANCES (UNLESS SPECIFIED)   | DIMENSION STYLE | キャリアテープ幅<br>CARRIER TAPE WIDTH |       | E            | D            | (C)          | (B)         | (A)        | MATERIAL NO.       | 種数<br>CKT. |
|  | 10 UNDER ± ---         |             |             |             |   | MM ONLY         |                                | SCALE |              | DESIGN UNITS |              | THIRD ANGLE |            | PROJECTION         |            |
|  | 10 OVER 30 UNDER ± --- |             |             |             |   | DRAWN BY        |                                | DATE  |              | TITLE        |              | MOLEX       |            | MOLEX INCORPORATED |            |
| 30 OVER ± ---  |                        |             |             |             | CHECKED BY  |                 | DATE                           |       | MATERIAL NO. |              | DOCUMENT NO. |             | SHEET NO.  |                    |            |
| ANGULAR ± --- °                                      |                        |             |             |             | M. FUKUSHIMA  |                 | '01/01/31                      |       | SEE CHART    |              | SD-52991-005 |             | 4 OF 6     |                    |            |
| DRAFT WHERE APPLICABLE MUST REMAIN WITHIN DIMENSIONS |                        |             |             |             | THIS DRAWING CONTAINS INFORMATION THAT IS PROPRIETARY TO MOLEX INCORPORATED AND SHOULD NOT BE USED WITHOUT WRITTEN PERMISSION |                 |                                |       |              |              |              |             |            |                    |            |



32mm幅キャリアテープ  
32mm WIDTH CARRIER TAPE

|  |                        |             |             |             |                                       |                 |   |       |  |       |              |              |            |                          |            |
|--|------------------------|-------------|-------------|-------------|---------------------------------------|-----------------|---|-------|--|-------|--------------|--------------|------------|--------------------------|------------|
| REVISED<br>REV D                                     | EC NO. J2006-0604      | 2005/08/31  | 2005/09/01  | 2005/09/09  | 52991-***8                            | MODEL NO.       | 32  | 37.4  | 33.4   | 20.1  | 19.1         | 13.7         | 52991-0608 | 60                       |            |
|  | DRW:NAIDA              | CHK:KTOYODA | APP:NIKIITA | DESCRIPTION | GENERAL TOLERANCES (UNLESS SPECIFIED) | DIMENSION STYLE | キャリアテープ幅<br>CARRIER TAPE WIDTH  |       | E  | D     | (C)          | (B)          | (A)        | MATERIAL NO.             | 種数<br>CKT. |
|  | 10 UNDER ± ---         |             |             |             |                                       | MM ONLY         |   | SCALE |  | ---   |              | DESIGN UNITS |            | ◎ THIRD ANGLE PROJECTION |            |
|  | 10 OVER 30 UNDER ± --- |             |             |             |                                       | DRAWN BY        |   | DATE  |  | TITLE |              |              |            |                          |            |
| 30 OVER ± ---  |                        |             |             |             | S. AIHARA                             |                 | '96/04/01   |       | 0.5 B/B CONN REC HSG<br>ASSY EMBSTP PKG<br>-LEAD FREE- |       |              |              |            |                          |            |
| ANGULAR ± --- °                                      |                        |             |             |             | CHECKED BY                            |                 | DATE  |       | MOLEX INCORPORATED                                     |       |              |              |            |                          |            |
| DRAFT WHERE APPLICABLE MUST REMAIN WITHIN DIMENSIONS |                        |             |             |             | T. ITO                                |                 | '01/01/31   |       | DOCUMENT NO.   |       |              |              |            |                          |            |
|  |                        |             |             |             | APPROVED BY                           |                 | DATE  |       | SEE CHART  |       | SD-52991-005 |              | SHEET NO.  |                          |            |
|  |                        |             |             |             | M. FUKUSHIMA                          |                 | '01/01/31   |       | SIZE   |       | A3           |              | 5 OF 6     |                          |            |
|  |                        |             |             |             | MATERIAL NO.                          |                 | THIS DRAWING CONTAINS INFORMATION THAT IS PROPRIETARY TO MOLEX INCORPORATED AND SHOULD NOT BE USED WITHOUT WRITTEN PERMISSION |       |  |       |              |              |            |                          |            |



44mm幅キャリアテープ  
44mm WIDTH CARRIER TAPE

|  |   |                           |           |  |      |                   |                        |   |                           |              |            |
|--|---|---------------------------|-----------|--|------|-------------------|------------------------|---|---------------------------|--------------|------------|
| REVISED<br>REV. D  | EC NO. J2006-0604<br>DRAWN BY CHIKAKI YODA<br>CHKD BY YODA<br>APP. NUKITA | DESCRIPTION<br>52991-***8 | MODEL NO. | 44   | 49.4 | 45.4              | 25.1                   | 24.1  | 18.7                      | 52991-0808   | 80         |
|  |   |                           |           | キャリアテープ幅<br>CARRIER TAPE WIDTH   | E    | D                 | (C)                    | (B)   | (A)                       | MATERIAL NO. | 種数<br>CKT. |
| GENERAL TOLERANCES (UNLESS SPECIFIED)                      |   |                           |           | DIMENSION STYLE<br>MM ONLY   |      | SCALE<br>---      | DESIGN UNITS<br>METRIC |   | THIRD ANGLE<br>PROJECTION |              |            |
| 10 UNDER ± ---   |   |                           |           | DRAWN BY<br>T. YASUI   |      | DATE<br>'96/04/15 |                        | TITLE<br>0.5 B/B CONN REC HSG<br>ASSY EMBSTP PKG<br>-LEAD FREE- |                           |              |            |
| 10 OVER 30 UNDER ± ---                                     |   |                           |           | CHECKED BY<br>T. ITO   |      | DATE<br>'01/01/31 |                        | MOLEX INCORPORATED  |                           |              |            |
| 30 OVER ± ---  |   |                           |           | APPROVED BY<br>M. FUKUSHIMA  |      | DATE<br>'01/01/31 |                        |   |                           |              |            |
| ANGULAR ± --- °  |   |                           |           | MATERIAL NO.   |      | DOCUMENT NO.      |                        | SHEET NO.   |                           |              |            |
| DRAFT WHERE APPLICABLE<br>MUST REMAIN<br>WITHIN DIMENSIONS |   |                           |           | SEE CHART  |      | SD-52991-005      |                        | 6 OF 6  |                           |              |            |
|  |   |                           |           | THIS DRAWING CONTAINS INFORMATION THAT IS PROPRIETARY TO MOLEX<br>INCORPORATED AND SHOULD NOT BE USED WITHOUT WRITTEN PERMISSION |      |                   |                        |   |                           |              |            |