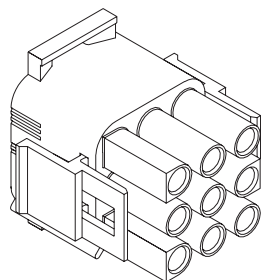


# 2.13mm (.084") Diameter MLX™ Pin and Socket Plug 42021



### Features and Benefits

- Intermateable, intermountable and interchangeable with industry-standard versions
- Cross tested to assure industry compatibility
- Positive locks
- Fully isolated contacts
- Circuit ID grooves to reduce assembly errors
- Anti-stress positioning tabs to reduce breakage

### Reference Information

Product Specification: PS-42022-0001  
 Packaging: Bag  
 UL File No.: E29179  
 CSA File No.: LR19980  
 Mates With: 42002 header, 42022 cap and 43255 header  
 Designed In: Inches

### Electrical

Voltage: 600V  
 Current:

Circuits							
1	2	3	4	6	9	12	15
13.5A	13.5A	13.5A	13.5A	11.0A	11.0A	11.0A	11.0A

Dielectric Withstanding Voltage: 2900V (Header),  
 5000V (Wire-To-Wire)  
 Insulation Resistance: 1000 Megohms min.

### Mechanical

Contact Retention to Housing: 66.88N (15 lb)

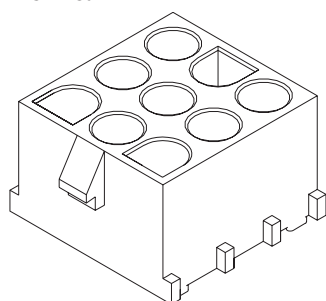
### Physical

Plug Housing: Nylon, 94V-2 or 94V-0  
 Operating Temperature: -55 to +105°C

Power Connectors

Circuits	Amperes/Circuit (Max.)	Order No.		
		94V-2 (White)	94V-0 (Brick Red)	94V-0 (White)
1	13.5	<a href="#">50-84-1010</a>	<a href="#">50-84-1011</a>	<a href="#">50-84-1015</a>
2		<a href="#">50-84-1020</a>	<a href="#">50-84-1021</a>	<a href="#">50-84-1025</a>
3		<a href="#">50-84-1030</a>	<a href="#">50-84-1031</a>	<a href="#">50-84-1035</a>
4		<a href="#">50-84-1040</a>	<a href="#">50-84-1041</a>	<a href="#">50-84-1045</a>
6	11	<a href="#">50-84-1060</a>	<a href="#">50-84-1061</a>	<a href="#">50-84-1065</a>
9		<a href="#">50-84-1090</a>	<a href="#">50-84-1091</a>	<a href="#">50-84-1095</a>
12		<a href="#">50-84-1120</a>	<a href="#">50-84-1121</a>	<a href="#">50-84-1125</a>
15		<a href="#">50-84-1150</a>	<a href="#">50-84-1151</a>	<a href="#">50-84-1155</a>

# 2.13mm (.084") Diameter MLX™ Power Connector Header 42002 Vertical



### Features and Benefits

- Intermateable, intermountable and interchangeable with industry-standard versions
- Cross tested to assure industry compatibility
- Positive locks
- Fully isolated contacts

### Reference Information

Product Specification: PS-42022-0001  
 Packaging: Tray  
 UL File No.: E29179  
 CSA File No.: LR19980  
 Designed In: Inches

### Electrical

Voltage: 600V  
 Current:

Circuits							
2	3	4	6	9	12	15	
13.5A	13.5A	13.5A	11.0A	11.0A	11.0A	11.0A	

Contact Resistance: 3.5 milliohms max.  
 Dielectric Withstanding Voltage: 2900V  
 Insulation Resistance: 1000 Megohms min.

### Physical

Header Housing: See Table  
 Header Contact: Phosphor Bronze  
 Plating: Tin  
 Operating Temperature: -55 to +105°C

Circuits	Order No.				Housing	Lead-free
	White		Brick Red			
	Male	Female	Male	Female		
2	<a href="#">10-84-4020</a>	<a href="#">10-84-4022</a>			94V-2	Yes
	<a href="#">10-84-5020</a>	<a href="#">10-84-5021</a>	<a href="#">10-84-4021</a>	<a href="#">10-84-4023</a>	94V-0	
3	<a href="#">10-84-4030</a>	<a href="#">10-84-4032</a>			94V-2	
	<a href="#">10-84-5030</a>	<a href="#">10-84-5031</a>	<a href="#">10-84-4031</a>	<a href="#">10-84-4033</a>	94V-0	
4	<a href="#">10-84-4040</a>	<a href="#">10-84-4042</a>			94V-2	
	<a href="#">10-84-5040</a>	<a href="#">10-84-5041</a>	<a href="#">10-84-4041</a>	<a href="#">10-84-4043</a>	94V-0	
6	<a href="#">10-84-4060</a>	<a href="#">10-84-4062</a>			94V-2	
	<a href="#">10-84-5060</a>	<a href="#">10-84-5061</a>	<a href="#">10-84-4061</a>	<a href="#">10-84-4063</a>	94V-0	
9	<a href="#">10-84-4090</a>	<a href="#">10-84-4092</a>			94V-2	
	<a href="#">10-84-5090</a>	<a href="#">10-84-5091</a>	<a href="#">10-84-4091</a>	<a href="#">10-84-4093</a>	94V-0	
12	<a href="#">10-84-4120</a>	<a href="#">10-84-4122</a>			94V-2	
	<a href="#">10-84-5120</a>	<a href="#">10-84-5121</a>	<a href="#">10-84-4121</a>	<a href="#">10-84-4123</a>	94V-0	
15	<a href="#">10-84-4150</a>	<a href="#">10-84-4152</a>			94V-2	
	<a href="#">10-84-5150</a>	<a href="#">10-84-5151</a>	<a href="#">10-84-4151</a>	<a href="#">10-84-4153</a>	94V-0	