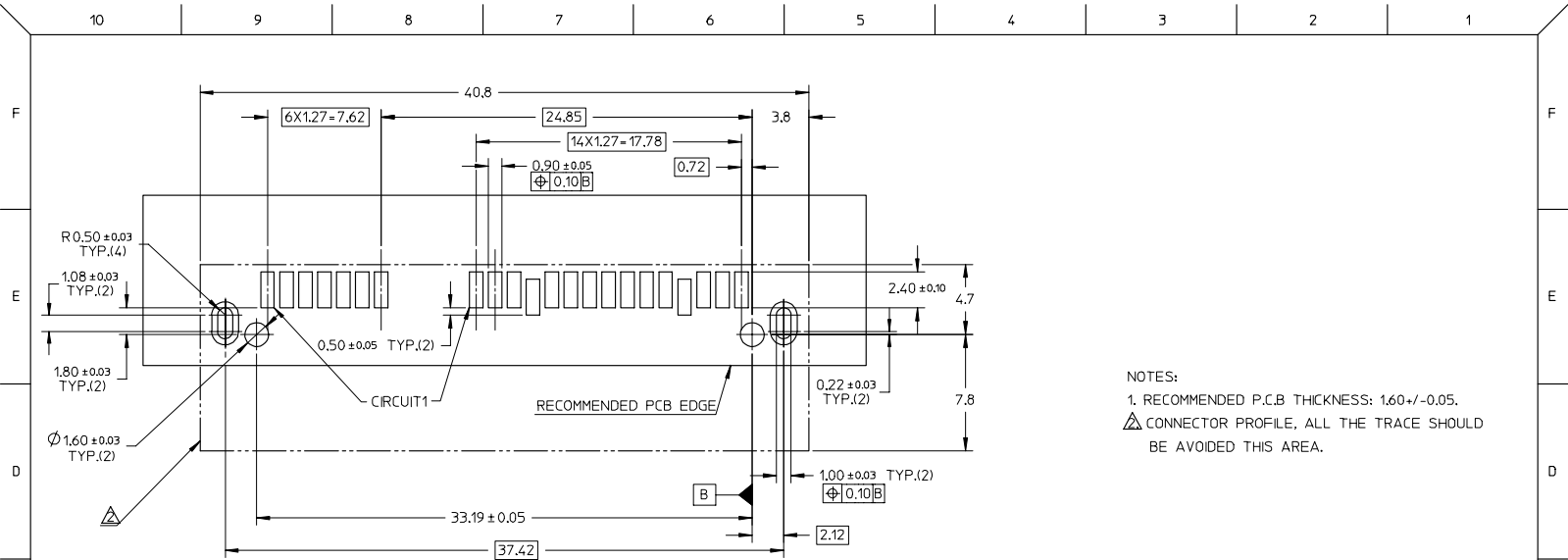


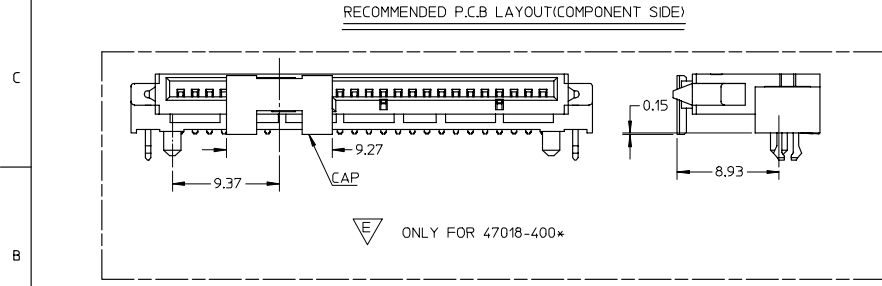
NOTES:

- MATERIAL:
HOUSING: THERMAL PLASTIC, GLASS FILLED, UL94V-0. COLOR: BLACK;
FORKLOCK: COPPER ALLOY;
TERMINALS: COPPER ALLOY.
- TERMINAL PLATING:
CONTACT AREA:
(a) GOLD FLASH,
(b) GOLD, THICKNESS=0.76 MICRONS MINIMUM,
(c) GOLD, THICKNESS=0.38 MICRONS MINIMUM.
▽SOLDER AREA: TIN, THICKNESS=2.00 MICRONS MINIMUM;
UNDER PLATE: NICKEL, THICKNESS=1.27 MICRONS MINIMUM.
- FORKLOCK PLATING:
▽SOLDER AREA: TIN, THICKNESS=2.00 MICRONS MINIMUM;
UNDER PLATING: NICKEL, THICKNESS=1.27 MICRONS MINIMUM.
- PRODUCT SPECIFICATION: PS-67492-001.
- PACKAGING METHOD: 47018-400*, TAPE REEL, DETAIL REFER TO PK-47018-003,
OTHERS. TRAY, DETAIL REFER TO PK-67492-001.
- MATING PARTS: 87703/87672.
- PRODUCT COMPLIANT TO RoSH DIRECTIVE 2002/95/EC AND 2000/53/EC.

REVISED	2006/09/12	QUALITY SYMBOLS	GENERAL TOLERANCES (UNLESS SPECIFIED)	DIMENSION STYLE MM ONLY	SCALE 2:1	DESIGN UNITS METRIC	THIRD ANGLE PROJECTION
	2006/09/15	DESCRIPTION					
EC NO:	2006/09/12	DRW: WJGLI	4 PLACES ± 0.10	DRAWN BY	DATE	TITLE	
DRW: WJGLI	2006/09/15	CHK: JIJIAN	3 PLACES ± 0.25	CHECKED BY	DATE	SERIAL ATA DOCKING CONNECTOR TOP MOUNT TYPE	
CHK: JIJIAN	2006/09/15	APPR: JINCHEN	2 PLACES ± 0.25	APPROVED BY	DATE	MOLEX INCORPORATED	
APPR: JINCHEN	2006/09/15		1 PLACE ± 0.25	VINCENT	2004/10/25	MOLEX INCORPORATED	
			ANGULAR ± 3°	MATERIAL NO.		DOCUMENT NO.	SHEET NO.
				SEE TABLE OF SHEET 2		SD-47018-001	1 OF 2
			DRAFT WHERE APPLICABLE MUST REMAIN WITHIN DIMENSIONS	SIZE	A3	THIS DRAWING CONTAINS INFORMATION THAT IS PROPRIETARY TO MOLEX INCORPORATED AND SHOULD NOT BE USED WITHOUT WRITTEN PERMISSION	

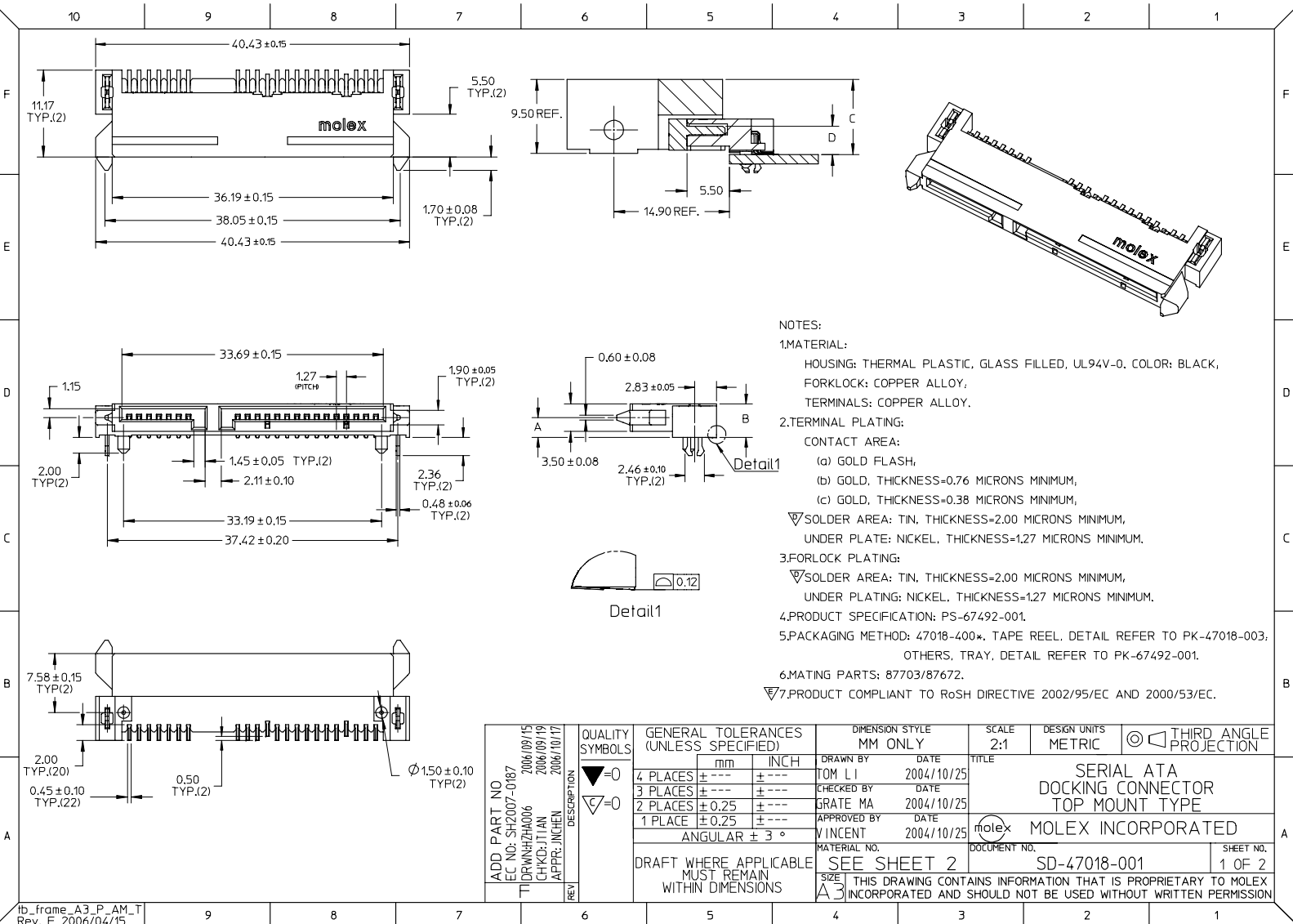


NOTES:
 1. RECOMMENDED P.C.B THICKNESS: 1.60±0.05.
 △ CONNECTOR PROFILE, ALL THE TRACE SHOULD BE AVOIDED THIS AREA.



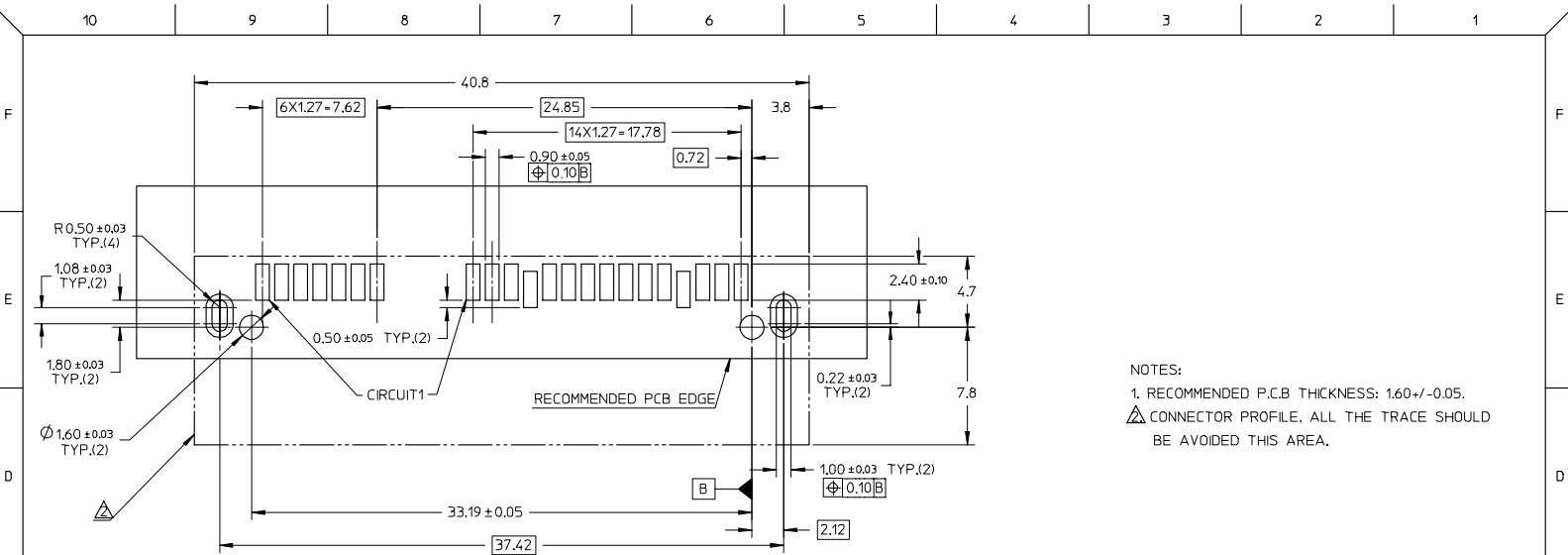
PRODUCT	CONTACT PLATING SPEC	DIM'A'	DIM'B'	DIM'C'	DIM'D'	PACKAGE	REMARK
47018-4000	NOTES 2 (A) OF SHEET 1						
47018-4001	NOTES 2 (B) OF SHEET 1	3.40	5.15	10.50	4.50	TAPE REEL	PURE TIN (WITH CAP)
47018-4002	NOTES 2 (C) OF SHEET 1						
47018-3000	NOTES 2 (A) OF SHEET 1						
47018-3001	NOTES 2 (B) OF SHEET 1	2.95	4.70	10.05	4.05		
47018-3002	NOTES 2 (C) OF SHEET 1						
47018-2000	NOTES 2 (A) OF SHEET 1						
47018-2001	NOTES 2 (B) OF SHEET 1	2.55	4.30	9.65	3.65	TRAY	PURE TIN
47018-2002	NOTES 2 (C) OF SHEET 1						

REVISED	2006/09/12	QUALITY SYMBOLS	GENERAL TOLERANCES (UNLESS SPECIFIED)	DIMENSION STYLE		SCALE	DESIGN UNITS	THIRD ANGLE PROJECTION
	2006/09/15			2006/09/15	MM ONLY			
EC NO:	DRW: WJL	DESCRIPTION	4 PLACES ± 0.25	DRAWN BY	DATE	TITLE		
CHK: JTT	CHK: JTT		3 PLACES ± 0.25	TOM LI	2004/10/25	SERIAL ATA DOCKING CONNECTOR TOP MOUNT TYPE		
APPR: JCH	APPR: JCH		2 PLACES ± 0.25	GRATE MA	2004/10/25	MOLEX INCORPORATED		
			1 PLACE ± 0.25	VINCENT	2004/10/25	MATERIAL NO. DOCUMENT NO. SHEET NO.		
			ANGULAR ± 3°			SD-47018-001 2 OF 2		
DRAFT WHERE APPLICABLE MUST REMAIN WITHIN DIMENSIONS			SEE TABLE		THIS DRAWING CONTAINS INFORMATION THAT IS PROPRIETARY TO MOLEX INCORPORATED AND SHOULD NOT BE USED WITHOUT WRITTEN PERMISSION			



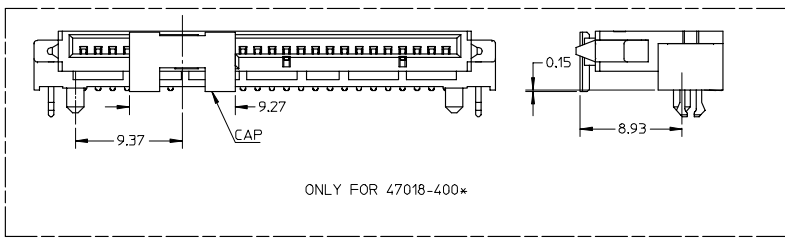
- NOTES:
- MATERIAL:
 - HOUSING: THERMAL PLASTIC, GLASS FILLED, UL94V-0, COLOR: BLACK,
 - FORKLOCK: COPPER ALLOY,
 - TERMINALS: COPPER ALLOY.
 - TERMINAL PLATING:
 - CONTACT AREA:
 - (a) GOLD FLASH,
 - (b) GOLD, THICKNESS=0.76 MICRONS MINIMUM,
 - (c) GOLD, THICKNESS=0.38 MICRONS MINIMUM,
 - SOLDER AREA: TIN, THICKNESS=2.00 MICRONS MINIMUM,
 - UNDER PLATE: NICKEL, THICKNESS=1.27 MICRONS MINIMUM.
 - FORKLOCK PLATING:
 - SOLDER AREA: TIN, THICKNESS=2.00 MICRONS MINIMUM,
 - UNDER PLATING: NICKEL, THICKNESS=1.27 MICRONS MINIMUM.
 - PRODUCT SPECIFICATION: PS-67492-001.
 - PACKAGING METHOD: 47018-400*, TAPE REEL. DETAIL REFER TO PK-47018-003; OTHERS, TRAY, DETAIL REFER TO PK-67492-001.
 - MATING PARTS: 87703/87672.
 - PRODUCT COMPLIANT TO RoSH DIRECTIVE 2002/95/EC AND 2000/53/EC.

ADD PART NO EC NO: SH2007-0187 TIDRWNHZHQ06 CHKCD: JIAN APPR: JINCHEN 2006/09/15 2006/09/19 2006/10/17	QUALITY SYMBOLS ▽=0 ▽=0	GENERAL TOLERANCES (UNLESS SPECIFIED)		DIMENSION STYLE		SCALE	DESIGN UNITS	THIRD ANGLE PROJECTION			
				MM ONLY		2:1	METRIC				
				mm	INCH	DRAWN BY	DATE	TITLE			
				4 PLACES ± --- ± ---		TOM LI	2004/10/25	SERIAL ATA DOCKING CONNECTOR TOP MOUNT TYPE			
		3 PLACES ± --- ± ---		CHECKED BY	DATE	MOLEX INCORPORATED					
		2 PLACES ± 0.25 ± ---		GRATE MA	2004/10/25						
		1 PLACE ± 0.25 ± ---		APPROVED BY	DATE	DOCUMENT NO.					
		ANGULAR ± 3 °		VINCENT	2004/10/25	SD-47018-001					
		DRAFT WHERE APPLICABLE MUST REMAIN WITHIN DIMENSIONS		MATERIAL NO.		DOCUMENT NO.		SHEET NO.			
				SEE SHEET 2				1 OF 2			
				SIZE A3		THIS DRAWING CONTAINS INFORMATION THAT IS PROPRIETARY TO MOLEX INCORPORATED AND SHOULD NOT BE USED WITHOUT WRITTEN PERMISSION					



NOTES:
 1. RECOMMENDED P.C.B THICKNESS: 1.60±0.05.
 △ CONNCTOR PROFILE. ALL THE TRACE SHOULD BE AVOIDED THIS AREA.

RECOMMENDED P.C.B LAYOUT (COMPONENT SIDE)



PRODUCT	CONTACT PLATING SPEC	DIM'A'	DIM'B'	DIM'C'	DIM'D'	PACKAGE	REMARK
47018-4000	NOTES 2 (A) OF SHEET 1	3.40	5.15	10.50	4.50	TAPE REEL	PURE TIN (LIGHT TIN)
47018-4001	NOTES 2 (B) OF SHEET 1						WITH CAP
47018-4002	NOTES 2 (C) OF SHEET 1						
47018-3000	NOTES 2 (A) OF SHEET 1	2.95	4.70	10.05	4.05	TRAY	PURE TIN (LIGHT TIN)
47018-3001	NOTES 2 (B) OF SHEET 1						
47018-3002	NOTES 2 (C) OF SHEET 1						
47018-2010	NOTES 2 (A) OF SHEET 1	2.55	4.30	9.65	3.65	TRAY	PURE TIN (MATTE TIN)
47018-2011	NOTES 2 (B) OF SHEET 1						
47018-2012	NOTES 2 (C) OF SHEET 1						
47018-2000	NOTES 2 (A) OF SHEET 1	2.55	4.30	9.65	3.65	TRAY	PURE TIN (LIGHT TIN)
47018-2001	NOTES 2 (B) OF SHEET 1						
47018-2002	NOTES 2 (C) OF SHEET 1						

ADD PART NO EC NO: SH2007-0187 TIDRW: HZH006 CHK: JILIAN APPR: JICHEN 2006/09/15 2006/09/19 2006/10/17	QUALITY SYMBOLS ▽=0 ▽=0	GENERAL TOLERANCES (UNLESS SPECIFIED)		DIMENSION STYLE MM ONLY		SCALE 1:1	DESIGN UNITS METRIC	THIRD ANGLE PROJECTION	
		4 PLACES ± --- ± --- 3 PLACES ± --- ± --- 2 PLACES ± 0.25 ± --- 1 PLACE ± 0.25 ± --- ANGULAR ± 3°	mm INCH	DRAWN BY TOM LI DATE 2004/10/25	CHECKED BY GRATE MA DATE 2004/10/25	SERIAL ATA DOCKING CONNECTOR TOP MOUNT TYPE			
		DRAFT WHERE APPLICABLE MUST REMAIN WITHIN DIMENSIONS		APPROVED BY VINCENT DATE 2004/10/25	MATERIAL NO. SEE TABLE	DOCUMENT NO. SD-47018-001	MOLEX INCORPORATED		