

- NOTE
- MATERIAL
 - BRASS (CDA 260)
 - PHOSPHOR BRONZE (CDA 510)
 - PLATING
 - PRE PLATED - TIN OVER COPPER
 - POST PLATED - TIN/LEAD OVER COPPER
 - USED HOUSING : 35022-00**/35023-00**/68418-***00

POST-PLATED	PHOS. BRON.	AWG #24-#30	1.8	1.9	R0.4	0.85	350211310	35021-1310
PRE-PLATED	PHOS. BRON.	(INS. DIA: \varnothing 1.5 MAX.)					350211301	35021-1301
	BRASS						350211201	35021-1201
PRE-PLATED	PHOS. BRON.	AWG #22-#28 ①					350211101	35021-1101
	BRASS	(INS. DIA: \varnothing 1.9 MAX.)	2.5	2.5	R0.7	1.05	350211001	35021-1001
POST-PLATED	PHOS. BRON.						350211110	35021-1110
PLATING	MATERIAL	WIRE RANGE	D	C	B	A	MAT'L NO.	ENG NO.

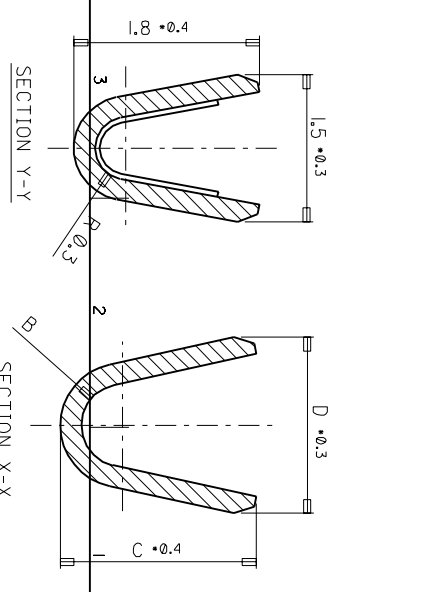
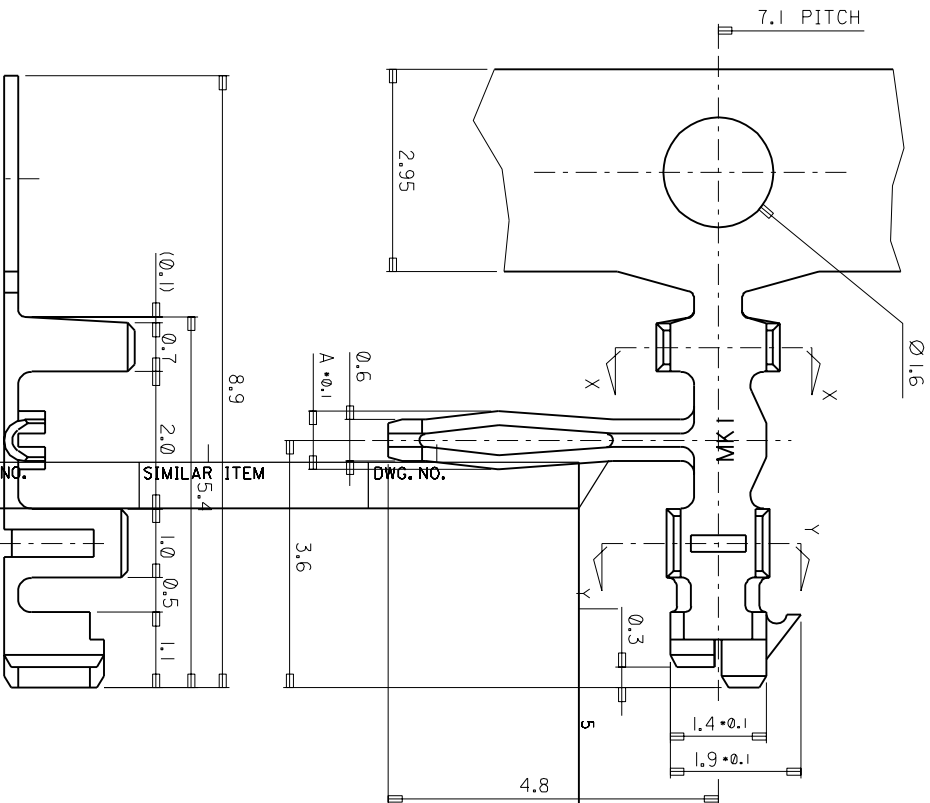
DO NOT SCALE DRAWING
DIMENSION IN METRIC

REVISED EC NO: KOR2007-0027 DRWN: JHLEE 06/09/13 CHK: KSJIM 06/09/13 APPR: YSOOKIM 06/09/13	QUALITY SYMBOLS MAJOR CRITICAL	GENERAL TOLERANCES: (UNLESS SPECIFIED)		SCALE 15-1	DESIGN UNITS <input checked="" type="checkbox"/> mm <input type="checkbox"/> INCH	THIRD ANGLE PROJECTION <input checked="" type="checkbox"/> <input type="checkbox"/>	DIMENSIONS: <input type="checkbox"/> mm <input type="checkbox"/> INCH <input checked="" type="checkbox"/> mm ONLY		SHT REV	
		DRAWN BY & DATE		CHECKED BY & DATE		APPROVED BY & DATE		TITLE:		REVISE ON CAD ONLY
		4 PLACES ±0. ±.		3 PLACES ±0. ±.		2 PLACES ±0. ±.		1 PLACE ±0.3 ±.		R/A B-IN TERMINAL MOLEX INCORPORATED
		ANGULAR: ± 1 °		CAD FILENAME SD35021.DGN		MATERIAL NO. SEE TABLE		DRAWING NO. SD-35021-001		
DRAFT WHERE APPLICABLE MUST REMAIN WITHIN DIMENSIONS		THIS DRAWING CONTAINS INFORMATION THAT IS PROPRIETARY TO MOLEX INCORPORATED AND SHOULD NOT BE USED WITHOUT WRITTEN PERMISSION.								

MX-A3

PROJECT NO. SIMILAR ITEM DWG. NO.
35021-1*** SD 35021-1***

DO NOT SCALE DRAWING
DIMENSION IN METRIC



- NOTE
1. MATERIAL
 - 1) BRASS (CDA 260)
 - 2) PHOSPHOR BRONZE (CDA 510)
 2. PLATING
 - 1) PRE PLATED - TIN OVER COPPER
 - 2) POST PLATED - TIN/LEAD OVER COPPER
 3. USED HOUSING : 35022-00** / 35023-00**

POST-PLATED	PHOS. BRON.	AWG #24-#30	1.8	1.9	R0.4	0.85	35021-1310
PRE-PLATED	PHOS. BRON.	(INS. DIA: Ø 1.5 MAX.)	1.8	1.9	R0.4	0.85	35021-1301
	BRASS						35021-1201
	PHOS. BRON.						35021-1101
	BRASS	AWG #22-#30	2.5	2.5	R0.7	1.05	35021-1001
	PHOS. BRON.	(INS. DIA: Ø 1.9 MAX.)					35021-1110

REVISED
EC NO. KOR1998-0091
DRWN: HSSHIN(980609)
CHK: JKOH
APPR: CWLEE

REV	DESCRIPTION
C	

QUALITY SYMBOLS	GENERAL TOLERANCES: (UNLESS SPECIFIED)
MAJOR	MM INCH
CRITICAL	MM INCH
	MM INCH
	MM INCH
	MM INCH
	MM INCH
	MM INCH
	MM INCH
	MM INCH
	MM INCH

SCALE	DESIGN UNITS	DRAWN BY & DATE	CHECKED BY & DATE	APPROVED BY & DATE
15-1	MM INCH	HSSHIN	JKOH	CWLEE

TITLE	THIRD ANGLE PROJECTION	DIMENSIONS:	SHT	REV
R/A B-IN TERMINAL	<input type="checkbox"/> <input checked="" type="checkbox"/>	MM INCH		

CAD FILENAME	MATERIAL NO.	DRAWING NO.	SHEET NO.	SIZE
SD35021.DGN	350-21-1***	SD 35021-1***	10F1	A4

MOLEX INCORPORATED
KOREA