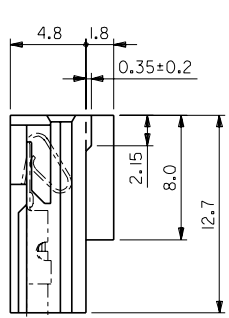
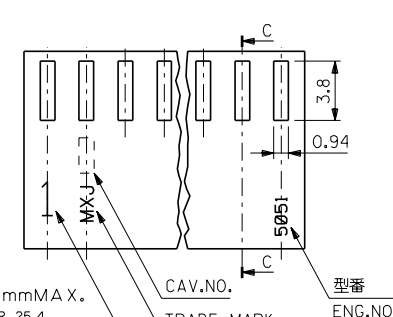
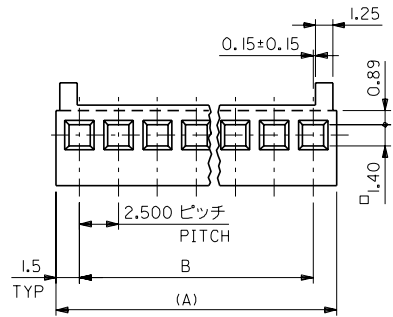


DWG. NO. SD-5051-N



- 注) NOTE.
- そりは長さ25.4mmに対して0.2mmMAX. CAMBER MUST BE WITHIN 0.2 MAX. PER 25.4.
 - () 寸法は参考値 DIMENSION SHOWN IN () ARE REFERENCE.
 - サーキットNO. 1のみ表示 但し2種の場合はMX-Jマーク側が1となる WHEN 2 CIRCUITS HOUSING TRADE MARK SIDE IN NO.1 CIRCUIT.

MT'L. NYLON 66(94V-0)

5051-20	22-01-1202	20	47.50±0.30	50.50
↑ -19	↑ -1192	19	45.00±0.25	48.00
-18	-1182	18	42.50±0.25	45.50
-17	-1172	17	40.00±0.25	43.00
-16	-1162	16	37.50±0.25	40.50
-15	-1152	15	35.00±0.20	38.00
-14	-1142	14	32.50±0.20	35.50
-13	-1132	13	30.00±0.20	33.00
-12	-1122	12	27.50±0.20	30.50
-11	-1112	11	25.00±0.15	28.00
-10	-1102	10	22.50±0.15	25.50
-09	-1092	9	20.00±0.15	23.00
-08	-1082	8	17.50±0.15	20.50
-07	-1072	7	15.00±0.15	18.00
-06	-1062	6	12.50±0.10	15.50
-05	-1052	5	10.00±0.10	13.00
-04	-1042	4	7.50±0.10	10.50
↓ -03	↓ -1032	3	5.00±0.10	8.00
5051-02	22-01-1022	2	2.50±0.08	5.50
ENG. NO.	PART NO.	極数 N	B	(A)

DO NOT SCALE DRAWING		REDRAWN		MATERIAL 表参照 SEE TABLE		GENERAL TOLERANCES: (UNLESS SPECIFIED) 一般公差		SCALE 4:1		DESIGN UNITS <input checked="" type="checkbox"/> mm <input type="checkbox"/> INCH		THIRD ANGLE PROJECTION <input type="checkbox"/> mm INCH <input checked="" type="checkbox"/> mm ONLY		SHT REV		
EC NO. DRWN: CHK: APPR:	EC NO. DRWN: CHK: APPR:	EC NO. DRWN: CHK: APPR:	EC NO. DRWN: CHK: APPR:	EC NO. DRWN: CHK: APPR:	EC NO. DRWN: CHK: APPR:	FINISH 仕上げ //	10 UNDER 未満 ±0.25 1/2φ	10 OVER 以上 30 UNDER 未満 ±0.3 1/2φ	30 OVER 以上 ±0.35 1/2φ	DRAWN BY & DATE K.KOHAMA 00/ 3/28	TITLE: 2.50/(.098) CENTERS KK. POLZG HSG.		MATERIAL NO. 5051-**		SHEET NO. I	
WIRE RANGE 適用電線範囲 //				ANGLE 角度 +3°				APPROVED BY & DATE M.FUKUSHIMA 00/ 3/30		CAD FILENAME S5051S01		DRAWING NO. SD-5051-N		REVISE ON CAD ONLY		
INS. RANGE 被覆外径 //				THIS DRAWING CONTAINS INFORMATION THAT IS PROPRIETARY TO MOLEX INCORPORATED AND SHOULD NOT BE USED WITHOUT WRITTEN PERMISSION.				CAD FILENAME S5051S01		MATERIAL NO. 5051-**		DRAWING NO. SD-5051-N		SIZE B		
EN-02(J097) MXJ-54																