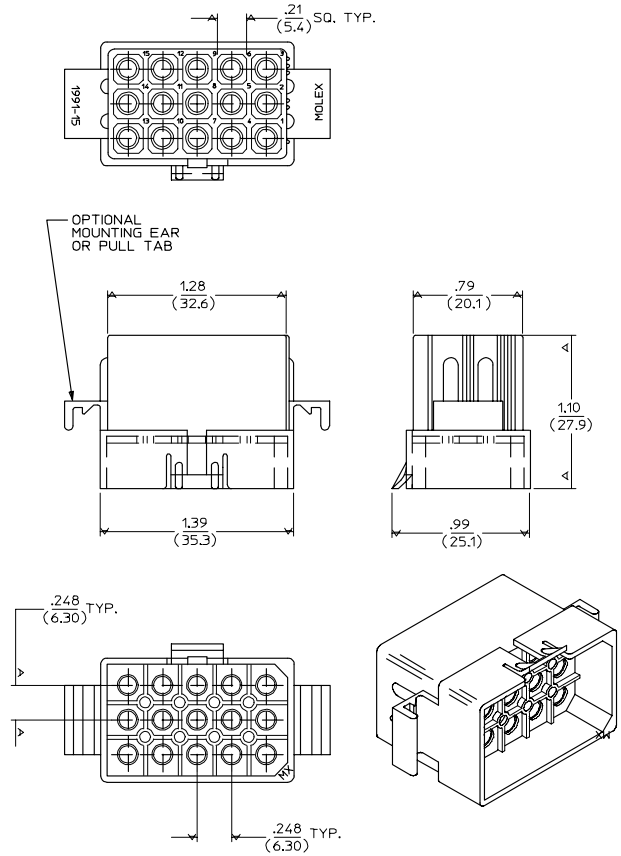
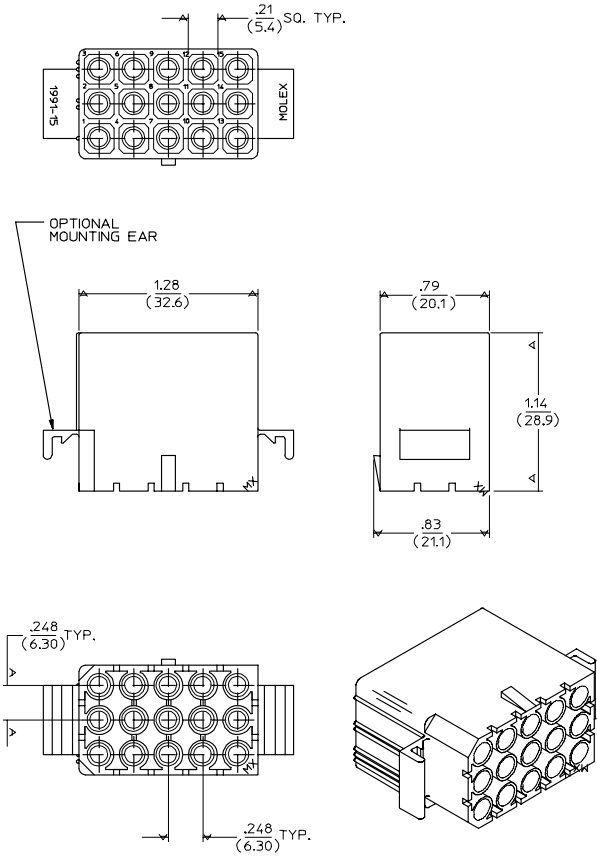


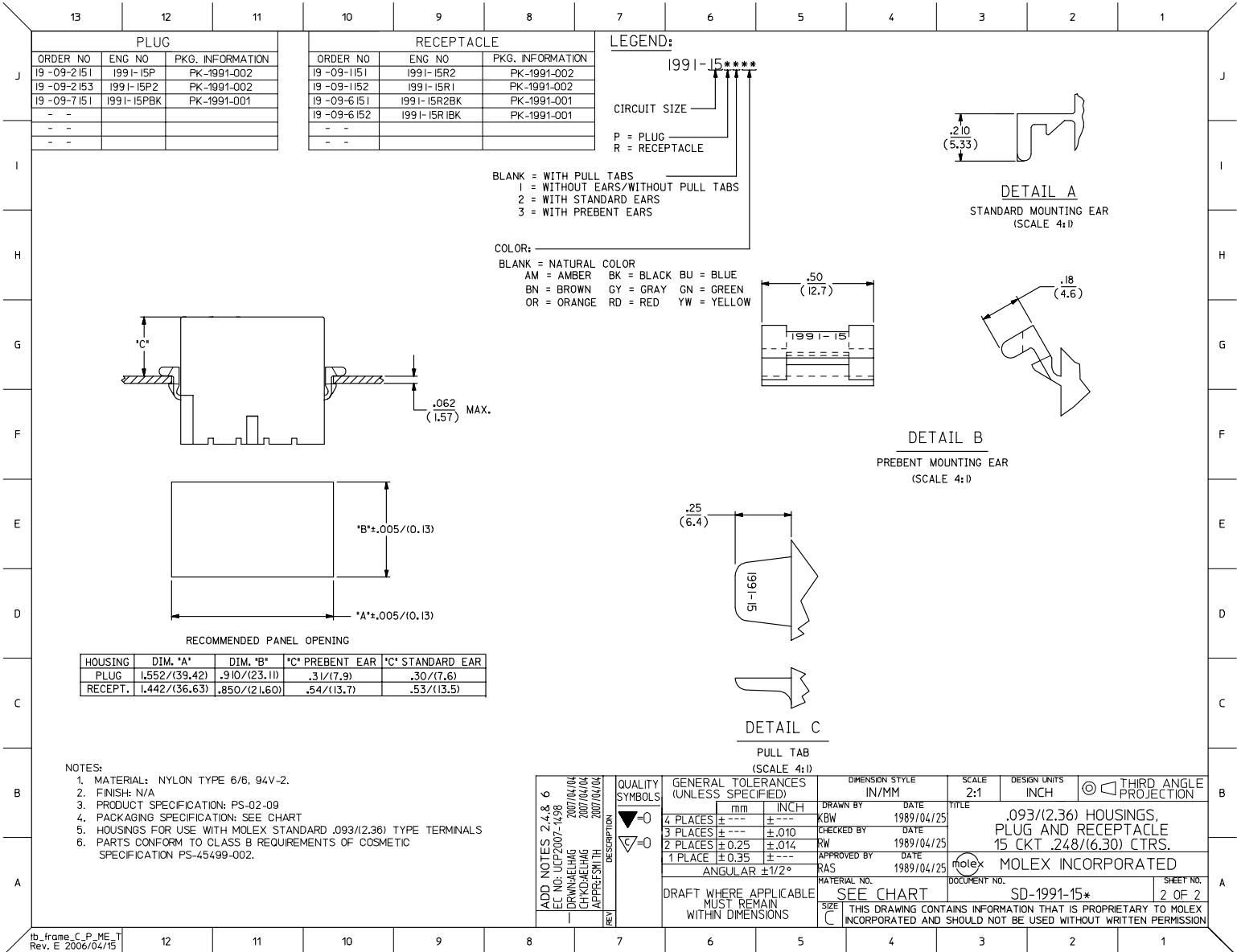
RECEPTACLE

PLUG



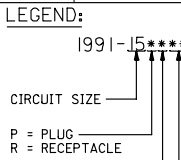
UPDATE TITLE BLOCK EC NO. UCP2007-1498 DRW:JELHAG 2007/04/04 CHK:JELHAG 2007/04/04 APPR:SMITH 2007/04/04	QUALITY SYMBOLS	GENERAL TOLERANCES (UNLESS SPECIFIED)	DIMENSION STYLE IN/MM	SCALE 2:1	DESIGN UNITS INCH	THIRD ANGLE PROJECTION
	▽=0	4 PLACES ±.000 ±.000	DRAWN BY KBW DATE 1989/04/25			
	▽=0	3 PLACES ±.010 ±.010	CHECKED BY RW DATE 1989/04/25			
		2 PLACES ±0.25 ±.014	APPROVED BY RAS DATE 1989/04/25			
	1 PLACE ±0.35 ±.000	ANGULAR ±1/2°	MATERIAL NO. SEE CHART	DOCUMENT NO. SD-1991-15*	SHEET NO. 1 OF 2	
		DRAFT WHERE APPLICABLE MUST REMAIN WITHIN DIMENSIONS	THIS DRAWING CONTAINS INFORMATION THAT IS PROPRIETARY TO MOLEX INCORPORATED AND SHOULD NOT BE USED WITHOUT WRITTEN PERMISSION			

TITLE .093(2.36) HOUSINGS, PLUG AND RECEPTACLE, 15 CKT .248/(6.30) CTRS. MOLEX INCORPORATED



PLUG		
ORDER NO	ENG NO	PKG. INFORMATION
19-09-2151	1991-15P	PK-1991-002
19-09-2153	1991-15P2	PK-1991-002
19-09-7151	1991-15PBK	PK-1991-001
-	-	-
-	-	-
-	-	-

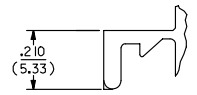
RECEPTACLE		
ORDER NO	ENG NO	PKG. INFORMATION
19-09-1151	1991-15R2	PK-1991-002
19-09-1152	1991-15R1	PK-1991-002
19-09-6151	1991-15R2BK	PK-1991-001
19-09-6152	1991-15R1BK	PK-1991-001
-	-	-
-	-	-
-	-	-



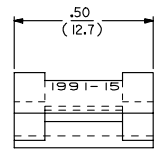
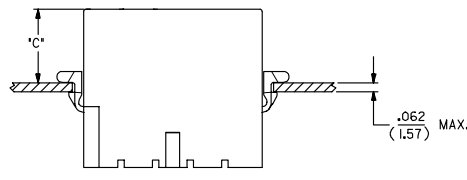
BLANK = WITH PULL TABS  
 1 = WITHOUT EARS/WITHOUT PULL TABS  
 2 = WITH STANDARD EARS  
 3 = WITH PREBENT EARS

**COLOR:**

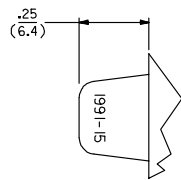
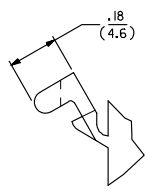
BLANK = NATURAL COLOR  
 AM = AMBER BK = BLACK BU = BLUE  
 BN = BROWN GY = GRAY GN = GREEN  
 OR = ORANGE RD = RED YW = YELLOW



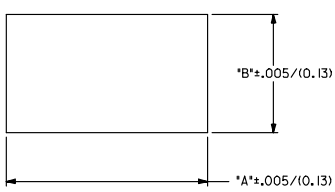
**DETAIL A**  
STANDARD MOUNTING EAR  
(SCALE 4:1)



**DETAIL B**  
PREBENT MOUNTING EAR  
(SCALE 4:1)



**DETAIL C**  
PULL TAB  
(SCALE 4:1)



RECOMMENDED PANEL OPENING

HOUSING	DIM. 'A'	DIM. 'B'	*C' PREBENT EAR	*C' STANDARD EAR
PLUG	1.552/(39.42)	.910/(23.11)	.31/(7.9)	.30/(7.6)
RECEPT.	1.442/(36.63)	.850/(21.60)	.54/(13.7)	.53/(13.5)

- NOTES:**
- MATERIAL: NYLON TYPE 6/6, 94V-2.
  - FINISH: N/A
  - PRODUCT SPECIFICATION: PS-02-09
  - PACKAGING SPECIFICATION: SEE CHART
  - HOUSINGS FOR USE WITH MOLEX STANDARD .093/(2.36) TYPE TERMINALS
  - PARTS CONFORM TO CLASS B REQUIREMENTS OF COSMETIC SPECIFICATION PS-45499-002.

ADD NOTES 2,4 & 6 EC NO: UCP2007-1498 DRW: BELHAG 2007/04/04 CHK: BELHAG 2007/04/04 APPR: SMITH 2007/04/04	<b>QUALITY SYMBOLS</b> ▽=0 ▽=0	<b>GENERAL TOLERANCES (UNLESS SPECIFIED)</b> <table border="1"> <tr> <th></th> <th>mm</th> <th>INCH</th> </tr> <tr> <td>4 PLACES</td> <td>±.005</td> <td>±.0002</td> </tr> <tr> <td>3 PLACES</td> <td>±.010</td> <td>±.0004</td> </tr> <tr> <td>2 PLACES</td> <td>±.025</td> <td>±.0010</td> </tr> <tr> <td>1 PLACE</td> <td>±.035</td> <td>±.0014</td> </tr> <tr> <td colspan="3">ANGULAR ±1/2°</td> </tr> </table>		mm	INCH	4 PLACES	±.005	±.0002	3 PLACES	±.010	±.0004	2 PLACES	±.025	±.0010	1 PLACE	±.035	±.0014	ANGULAR ±1/2°			<b>DIMENSION STYLE</b> IN/MM	<b>SCALE</b> 2:1	<b>DESIGN UNITS</b> INCH	<input checked="" type="checkbox"/> THIRD ANGLE PROJECTION
				mm	INCH																			
4 PLACES	±.005	±.0002																						
3 PLACES	±.010	±.0004																						
2 PLACES	±.025	±.0010																						
1 PLACE	±.035	±.0014																						
ANGULAR ±1/2°																								
<b>DRAFT WHERE APPLICABLE MUST REMAIN WITHIN DIMENSIONS</b>	<b>DRAWN BY</b> KBW <b>CHECKED BY</b> RW <b>APPROVED BY</b> RAS	<b>DATE</b> 1989/04/25 <b>DATE</b> 1989/04/25 <b>DATE</b> 1989/04/25	<b>TITLE</b> .093/(2.36) HOUSINGS, PLUG AND RECEPTACLE 15 CKT .248/(6.30) CTRS.	<b>MATERIAL NO.</b> SEE CHART <b>SIZE</b> C	<b>DOCUMENT NO.</b> SD-1991-15*	<b>SHEET NO.</b> 2 OF 2																		