

# Customer Information Sheet

DRAWING No.: M20-999XXXX SHEET 2 OF 2 IF IN DOUBT - ASK (C) NOT TO SCALE THIRD ANGLE PROJECTION ALL DIMENSIONS IN mm

- NOTES:
1. RECOMMENDED PCB MOUNTING HOLE SIZE =  $\varnothing 1.00\text{mm}$ .
  2. ALL TOLERANCES ARE  $\pm 0.25\text{mm}$  UNLESS OTHERWISE STATED.
  3. FOR COMPLETE SPECIFICATION, SEE COMPONENT SPECIFICATION C001XX (LATEST ISSUE).

SPECIFICATION:

MATERIAL:

MOULDING:

05 & 06 = GLASS-FILLED POLYESTER UL94V-0, BLACK  
45 & 46 = HIGH TEMP NYLON 6T UL94V-0, BLACK

PINS = BRASS

FINISH:

PINS:

05 = GOLD  
06 = TIN/LEAD  
45 = GOLD  
46 = 100% TIN

ELECTRICAL:

CURRENT RATING = 3A MAX  
CONTACT RESISTANCE = 25 m $\Omega$  MAX (GOLD), 30 m $\Omega$  MAX (TIN)  
INSULATION RESISTANCE = 1,000 M $\Omega$  MIN  
DIELECTRIC STRENGTH = 750V AC/DC

MECHANICAL:

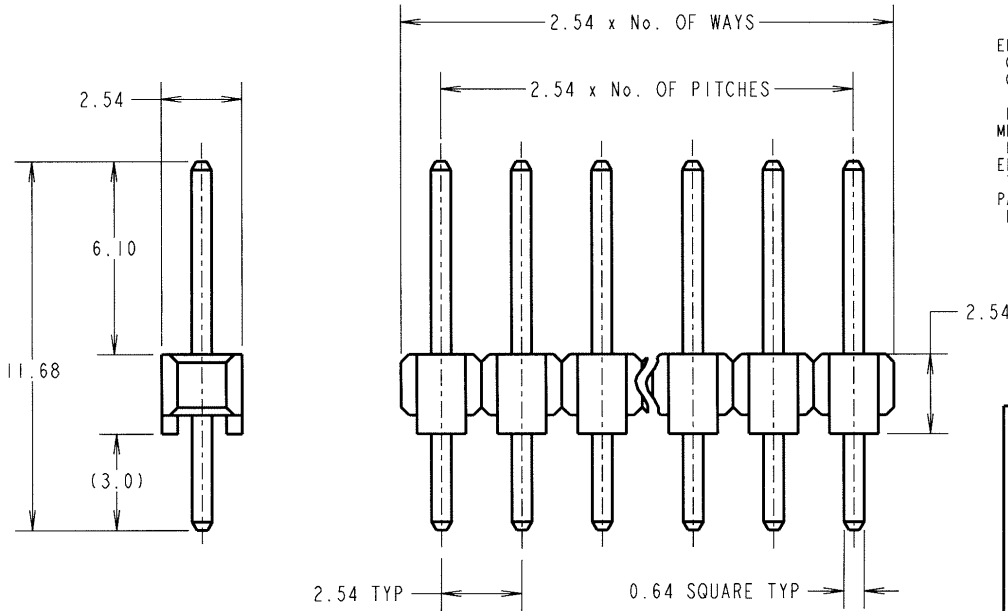
DURABILITY = 300 OPERATIONS (GOLD), 50 OPERATIONS (TIN)

ENVIRONMENTAL:

TEMPERATURE RANGE = -40°C TO +105°C

PACKING:

BAG



ORDER CODE:

**M20-999XXXX**

No. OF WAYS: 02 TO 40

FINISH:

05 = GOLD  
06 = TIN/LEAD  
45 = GOLD  
46 = 100% TIN

JAE	18	18.03.05	8458
NAME	ISS.	DATE	C/NOTE
APPROVED: <i>[Signature]</i>			
CHECKED: <i>[Signature]</i>			
DRAWN: P.ALEXANDER			
CUSTOMER REF.:			
ASSEMBLY DRG:			

**HARWIN**

HARWIN INC U.S.A. TEL: (812) 542 2540 FAX: (812) 542 2541	HARWIN PLC U.K. TEL: 023 9231 4545 FAX: 023 9231 4590	HARWIN PTE SINGAPORE TEL: 65 6779 4909 FAX: 65 6779 3868
--	--	---

THIS DRAWING AND ANY INFORMATION OR DESCRIPTIVE MATTER SET OUT HEREON ARE CONFIDENTIAL AND COPYRIGHT PROPERTY OF THE HARWIN GROUP AND MUST NOT BE DISCLOSED, LOANED, COPIED OR USED FOR MANUFACTURING, TENDERING OR FOR ANY OTHER PURPOSE WITHOUT THEIR WRITTEN PERMISSION.

TOLERANCES

~~X~~ =  $\pm 1\text{mm}$   
~~X.X~~ =  $\pm 0.25\text{mm}$   
~~X.XX~~ =  $\pm 0.10\text{mm}$   
~~X.XXX~~ =  $\pm 0.01\text{mm}$   
 ANGLES =  $\pm 5^\circ$   
 UNLESS STATED

MATERIAL: SEE ABOVE

FINISH: SEE ABOVE

S/AREA: mm<sup>2</sup>

TITLE: 2.54mm PITCH SIL VERTICAL PC TAIL PIN HEADER ASSEMBLY

DRAWING NUMBER: **M20-999XXXX**

SHT 2 OF 2