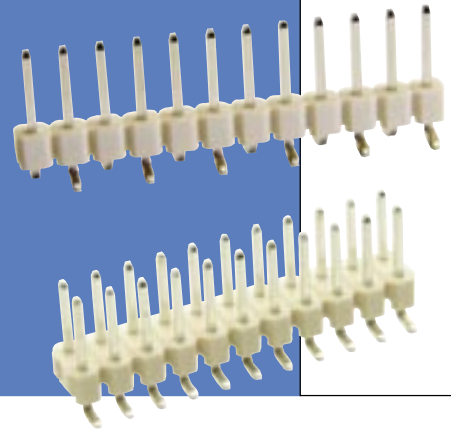


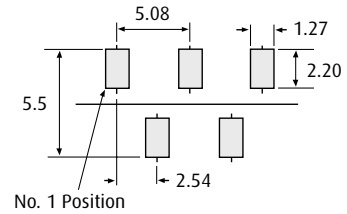
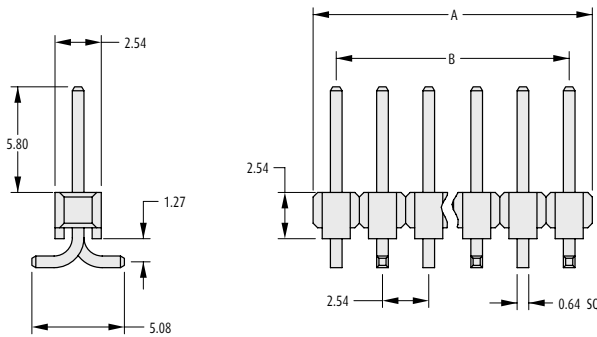
# M20 Connectors

## Vertical SMT Male Connectors

- For pick and place cap and packed in tube – add P to the end of the part number.
- For pick and place cap in tape & reel packaging – add R to the end of the part number.

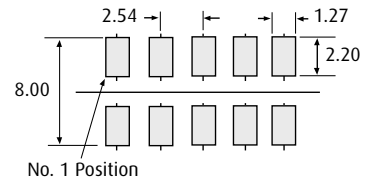
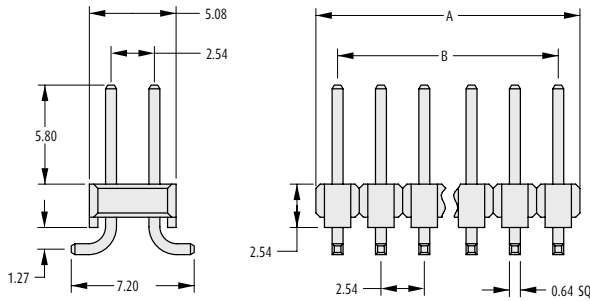


### SINGLE ROW



Recommended PC Board Pattern

### DOUBLE ROW



Recommended PC Board Pattern

### CALCULATION

<b>A</b>	2.54 x No. of ways per row
<b>B</b>	2.54 x (No. of ways per row - 1)

### HOW TO ORDER

**M20 - 87 X XX XX**

**SERIES CODE**

**TAIL SPACING**

<b>6</b>	Double Row
<b>7</b>	Single Row

**FINISH**

<b>06</b>	Tin/Lead
<b>22</b>	Gold + Tin/Lead
<b>42</b>	Gold + Tin
<b>46</b>	Tin

**NO. OF WAYS PER ROW**

**02 to 40**

