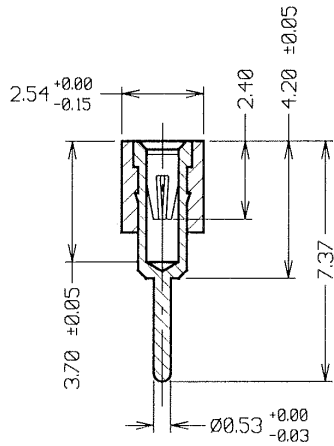
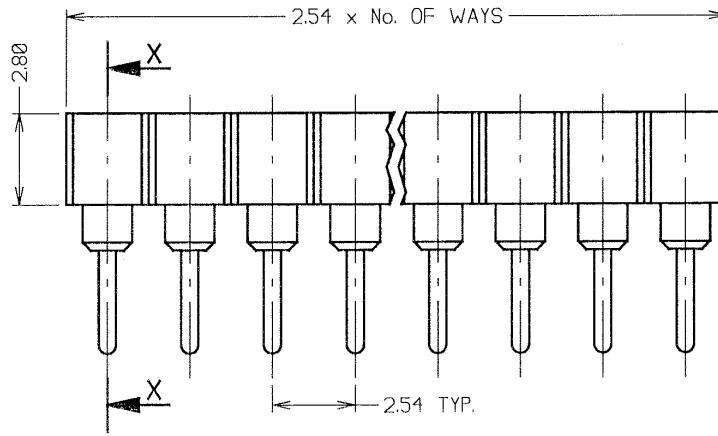


Customer Information Sheet

DRAWING No.: D01-997XXXX SHEET 2 OF 2 IF IN DOUBT - ASK © NOT TO SCALE THIRD ANGLE PROJECTION ALL DIMENSIONS IN mm



SECTION X-X



SPECIFICATION.

MATERIAL:
 CARRIER = (FOR 01 & 21 FINISHES)
 GLASS FILLED PBT, BLACK, UL94V-0
 CARRIER = (FOR 42 FINISH)
 GLASS FILLED PCT, BLACK, UL94V-0
 SHELL = BRASS
 CONTACT = BERYLLIUM COPPER

FINISH:
 01 = 90/10 TIN/LEAD SHELL, GOLD CLIP
 21 = 90/10 TIN/LEAD SHELL, GOLD FLASH CLIP
 42 = 100% TIN SHELL, GOLD CLIP

ELECTRICAL:
 CURRENT RATING = 1A
 VOLTAGE RATING = 100V AC, 150V DC
 CONTACT RESISTANCE = 10 MILLIOHMS MAX.
 INSULATION RESISTANCE = 10000 MEGOHMS MIN.
 DIELECTRIC WITHSTANDING = 1000V AC MIN.

MECHANICAL:
 INSERTION FORCE (Ø0.16mm GAUGE) = 1.8N
 WITHDRAWAL FORCE (Ø0.16mm GAUGE) = 1.0N
 DURABILITY = 500 CYCLES MIN.
ENVIRONMENTAL:
 TEMPERATURE RANGE = -55 TO +125°C

NOTES.

1. RECOMMENDED PCB SIZE = 1.4-2.0mm.
2. RECOMMENDED PIN SIZE = Ø0.40-0.56mm.
3. RECOMMENDED PCB HOLE SIZE = Ø0.8mm.

ORDER CODE:
D01-997XXXX

No. OF WAYS _____
 1 TO 32, 48 & 64

FINISH _____
 01 = TIN/LEAD SHELL, GOLD CLIP
 21 = TIN/LEAD SHELL, GOLD FLASH CLIP
 42 = 100% TIN SHELL, GOLD CLIP

JMB	7	09.08.05	8672
NAME	ISS.	DATE	C/NOTE
APPROVED: <i>[Signature]</i>			
CHECKED: <i>[Signature]</i>			
DRAWN:		D. BECK	
CUSTOMER REF.:			
ASSEMBLY DRG.:			

HARWIN			THIS DRAWING AND ANY INFORMATION OR DESCRIPTIVE MATTER SET OUT HEREON ARE CONFIDENTIAL AND COPYRIGHT PROPERTY OF THE HARWIN GROUP AND MUST NOT BE DISCLOSED, LOANED, COPIED OR USED FOR MANUFACTURING OR TENDERING OR FOR ANY OTHER PURPOSE WITHOUT THEIR WRITTEN PERMISSION.	TOLERANCES X. - ±1mm X.X - ±0.25mm X.XX - ±0.10mm X.XXX - ±0.01mm ANGLES - ±5° UNLESS STATED	MATERIAL: SEE ABOVE	TITLE: SIL THROUGH SOCKET CONNECTOR	DRAWING NUMBER: D01-997XXXX	SHT 2 OF 2
HARWIN USA TEL: 603 893 5376 FAX: 603 893 5396 mis@harwin.com	HARWIN Europe (UK) TEL: 023 9231 4545 FAX: 023 9231 4590 mis@harwin.co.uk	HARWIN Asia TEL: +65 6 779 4909 FAX: +65 6 779 3868 mis@harwin.com.sg		FINISH: SEE ABOVE	S/AREA: mm²			