



Optical Encoders

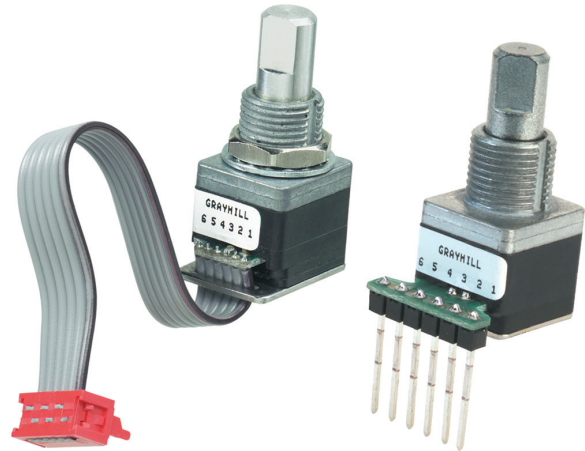
SERIES 62A,V,D
1/2" Package

FEATURES

- Low Cost
- Long Life
- Available in 3.3 or 5.0 Vdc Operating Voltages
- High Torque Version to Emphasize Rotational Feel
- Economical Size
- Optically Coupled for More than a Million Cycles
- Optional Integral Pushbutton
- Compatible with CMOS, TTL and HCMOS Logic
- Available in 12,16, 20, 24 and 32 Detent Positions (Non-detent Also Available)
- Choices of Cable Length and Terminations

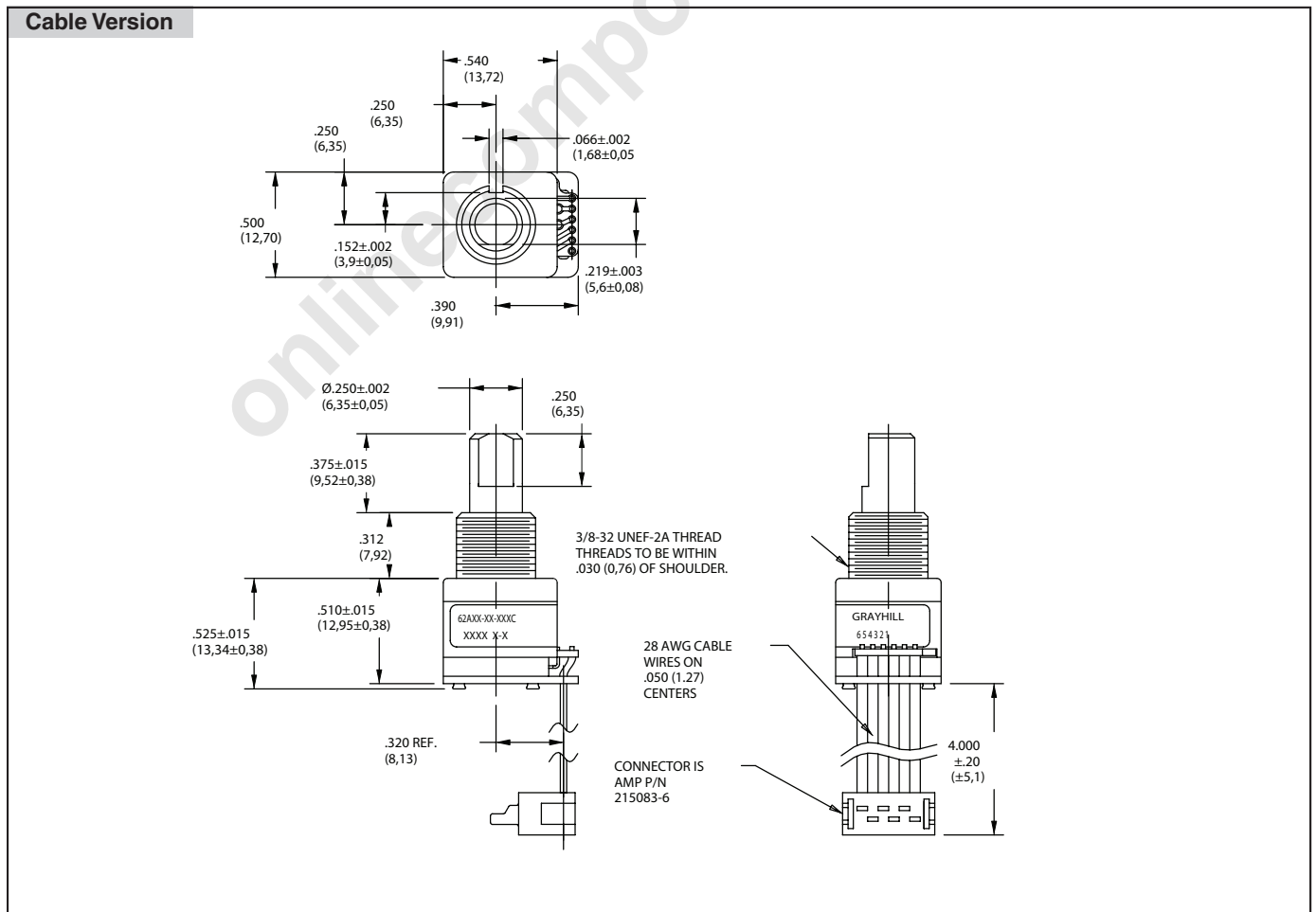
APPLICATIONS

- Global Positioning/Driver Information Systems
- Medical Equipment

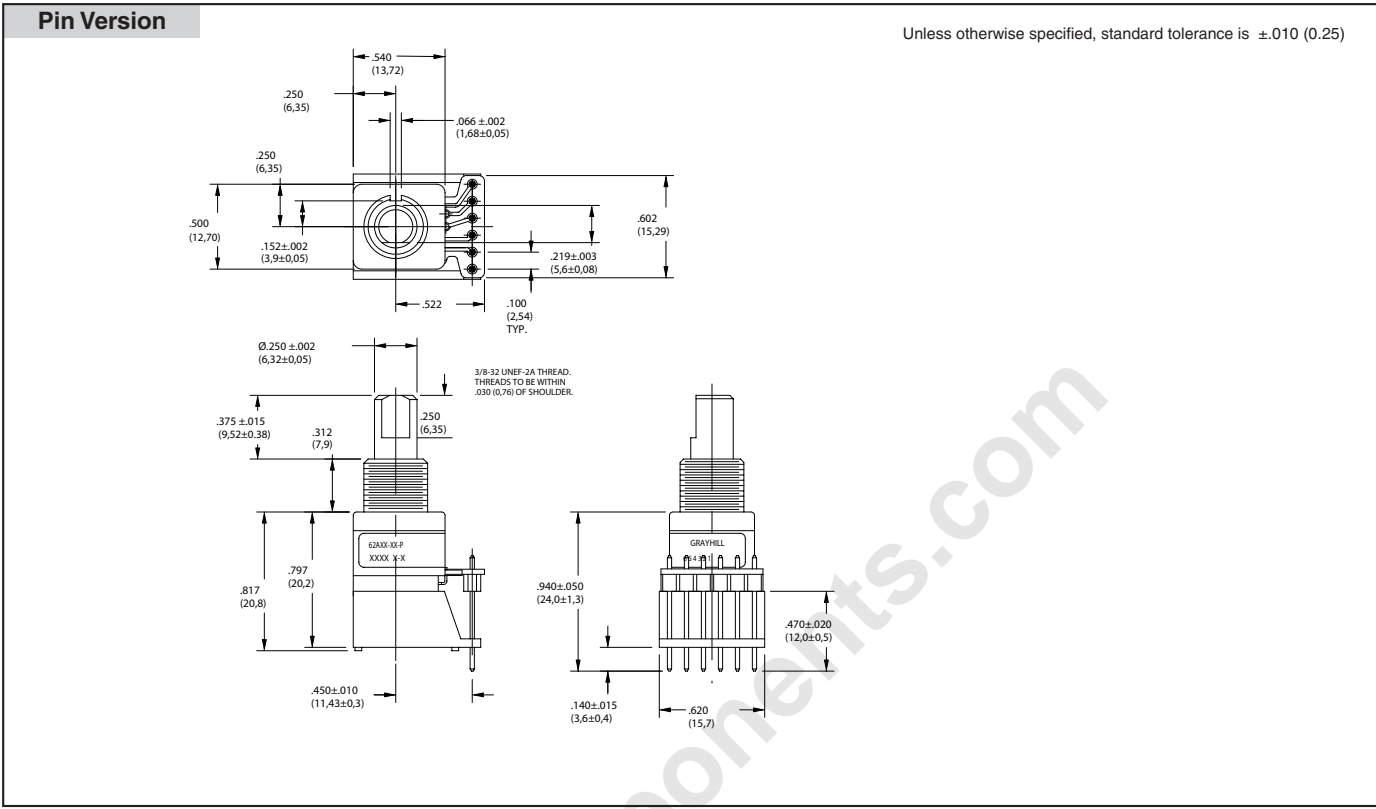


Optical and Mechanical Encoders

DIMENSIONS in inches (and millimeters)

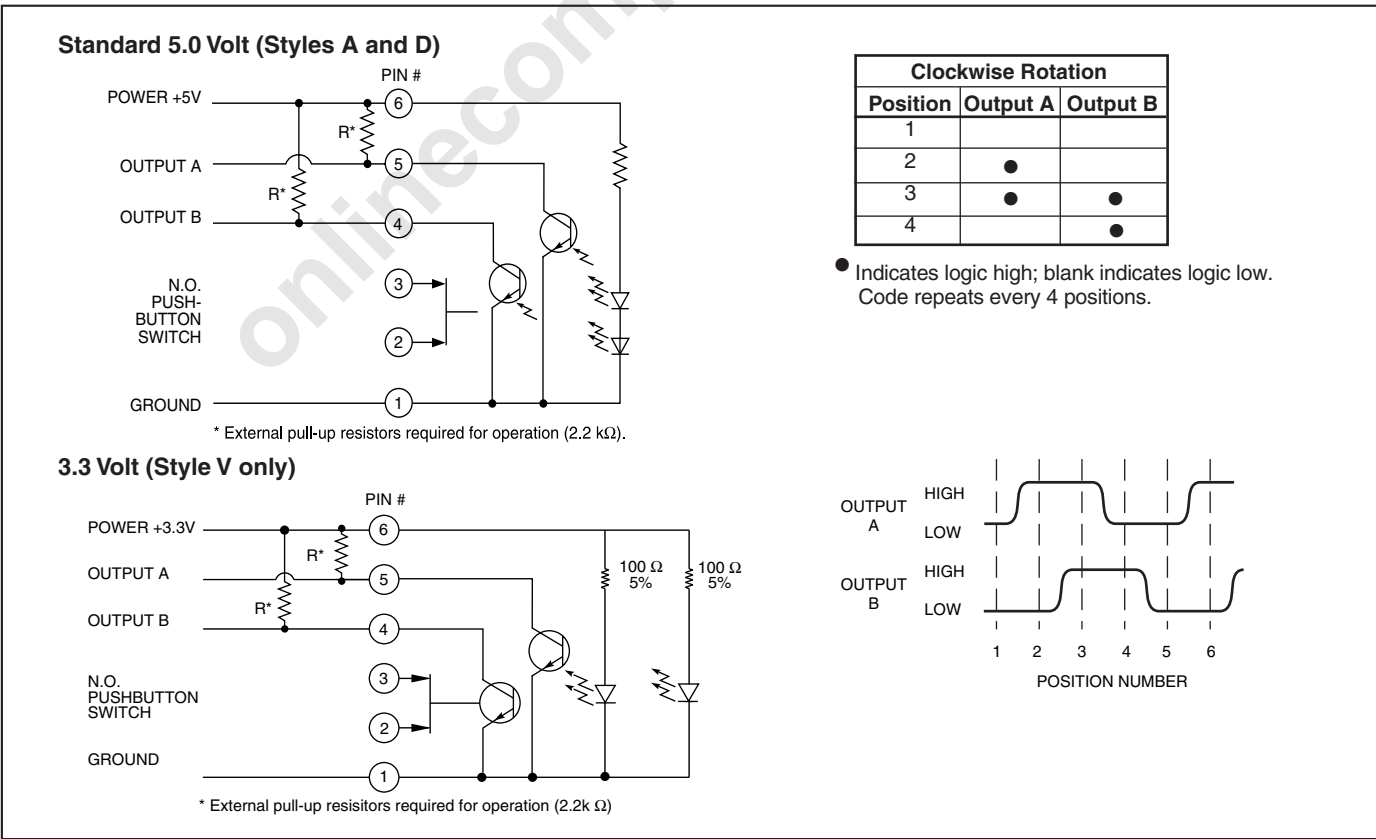


DIMENSIONS in inches (and millimeters)



Optical and Mechanical Encoders

CIRCUITRY, TRUTH TABLE, AND WAVEFORM Standard Quadrature 2-Bit Code



SPECIFICATIONS

Electrical and Mechanical Ratings

Rating: 5 Vdc, 10 mA, resistive
Contact Resistance: less than 10 ohms (TTL or CMOS compatible)
Pushbutton Life: 3 million actuations min.
Contact Bounce: less than 4 mS at make and less than 10 mS at break
Actuation Force: 1000 ±300 grams
Pushbutton Travel: .010/.025 inch
Coding: 2-bit quadrature coded output
Operating Voltage: 5.0 ±.25 Vdc, 3.30±.125 Vdc (style V only)
Voltage Breakdown: 250 Vac between mutually insulated parts
Supply Current: 30 mA maximum
Logic Output Characteristics:
 Logic High: 3.8 Vdc (5.0 Vdc); 2.3 (3.3 Vdc) minimum
 Logic Low: 0.8 Vdc maximum
Rotational Life: 1,000,000 cycles minimum (One cycle is a rotation through all positions and a full return)
Minimum Sink Current: 2.0 mA for 5 Vdc; 1.0 mA for 3.3 Vdc
Power Consumption: 150 mW maximum for 5 Vdc; 80 mW for 3.3 Vdc
Optical Rise and Fall Times: less than 30 mS

Operating Torque:

Style A and V: 2.0 ±1.4 in-oz. initially
 Style D: 3.5 ±1.4 in-oz initially
 Non-detent: less than 1.5 in-oz initially
Shaft Push Out Force: 45 lbs minimum
Mounting Torque: 15 in-lbs maximum
Terminal Strength: 15 lbs cable pull-out force minimum
Operating Speed: 100 RPM maximum
Axial Shaft Play: .010 maximum

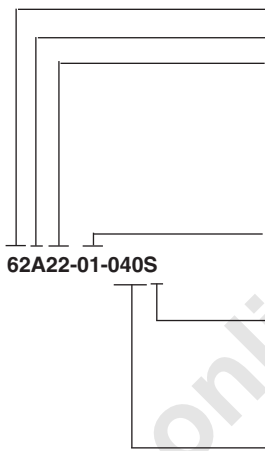
Environmental Ratings

Operating Temperature Range: -40°C to 85°C
Storage Temp. Range: -55°C to 100°C
Relative Humidity: 90–95% at 40°C for 96 hours
Vibration Resistance: Harmonic motion with amplitude of 15G, within a varied 10 to 2000 Hz frequency for 12 hours per MIL-STD-202, Method 204
Mechanical Shock: Test 1: 100G for 6 mS, half sine, 12.3 ft/s; Test 2: 100G for 6 mS, sawtooth, 9.7 ft/s

Materials and Finishes

Code Housing: Reinforced thermoplastic
Shaft: Zinc or aluminum
Bushing: Zinc casting
Shaft Retaining Ring: Stainless steel
Detent Spring: Stainless steel
Printed Circuit Boards: NEMA grade FR-4 gold over nickel or palladium
Terminals: Brass, tin-plated
Mounting Hardware: One brass, nickel-plated nut and stainless steel lockwasher supplied with each switch. Nut is 0.094 inches thick by 0.562 inches across flats.
Rotor: Thermoplastic
Code Housing: Thermoplastic
Pushbutton Dome: Stainless steel
Dome Retaining Disk: Thermoplastic
Pushbutton Housing: Thermoplastic
Phototransistor: Planar Silicon NPN
Infrared Emitter: Gallium aluminum arsenide
Pushbutton Contact: Brass, nickel-plated
Flex Cable: 28 AWG, stranded/top coated wire, PVC coated on .050 or .100" centers (cable version)
Header Pins: Phosphor bronze, tin-plated
Spacer: ABS
Backplate/Strain Relief: Stainless steel

ORDERING INFORMATION



Series

Style: A = 1/2" package, 5.0 Vdc Input, D = high torque w/5.0 Vdc input, V = 3.3 Vdc input

Angle of Throw: Detent

- 11 = 11.25° or 32 positions
- 15 = 15° or 24 positions
- 18 = 18° or 20 positions
- 22 = 22.5° or 16 positions
- 30 = 30° or 12 positions

Non-detent (Styles A&V only)

- 01 = 11.25° or 32 positions
- 05 = 15° or 24 positions
- 08 = 18° or 20 positions
- 02 = 22.5° or 16 positions
- 03 = 30° or 12 positions

Pushbutton Option: 01 = w/o pushbutton, 02 = with pushbutton

Termination:

- S = Stripped cable; .050" centers
- SH = Stripped cable; .100" centers
- C = Connector; .050" centers
- CH = Connector; .100" centers
- P = Pin; .100" centers

Cable Length: Cable Termination: 040 = 4.0in. Cable is terminated with Amp P/N 215083-6. See Amp Mateability Guide for Mating Connector details.
 *Eliminate cable length if ordering pins. (Ex: 62A22-02-P).

These switches have Quadrature 2-bit code output and an optional shaft actuated pushbutton switch.

Custom materials, styles, colors, and markings are available. Control knobs available.

Available from your local Grayhill Component Distributor.

For prices and discounts, contact a local Sales Office, an authorized local Distributor, or Grayhill.