

LMS1585A,LMS1587

LMS1585A/LMS1587 5A and 3A Low Dropout Fast Response Regulators



Literature Number: SNVS061F

LMS1585A/LMS1587

5A and 3A Low Dropout Fast Response Regulators

General Description

The LMS1585A and LMS1587 are low dropout positive regulators with output load current of 5A and 3A respectively. Their low dropout voltage (1.2V) and fast transient response make them an excellent solution for low voltage microprocessor applications.

The LMS1585A/87 are available in adjustable versions, which can set the output voltage with only two external resistors. In addition, they are also available in 1.5V and 3.3V fixed voltage versions (Note 9).

The LMS1585A/87 circuits include a zener trimmed bandgap reference, current limiting and thermal shutdown.

The LMS1585A/87 series are available in TO-220 and TO-263 packages.

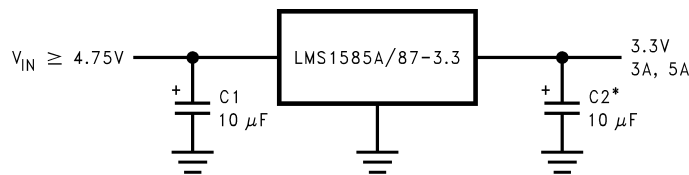
Features

- Fast transient response
- Available in Adjustable, 1.5V, and 3.3V versions
- Current limiting and thermal protection
- Commercial temp. range 0°C to 125°C
- Industrial temp. range -40°C to 125°C
- Line regulation 0.005% (typical)
- Load regulation 0.05% (typical)
- Direct replacement for LT™1585A/87

Applications

- Pentium™ processor supplies
- PowerPC™ supplies
- Other microprocessor supplies
- Low voltage logic supplies

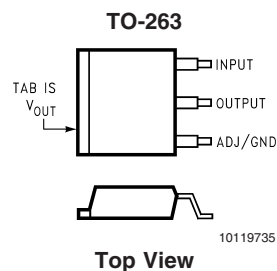
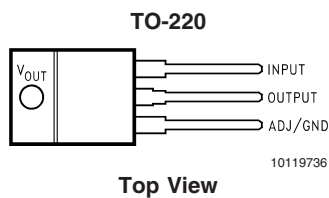
Typical Application



* REQUIRED FOR STABILITY

10119701

Connection Diagrams

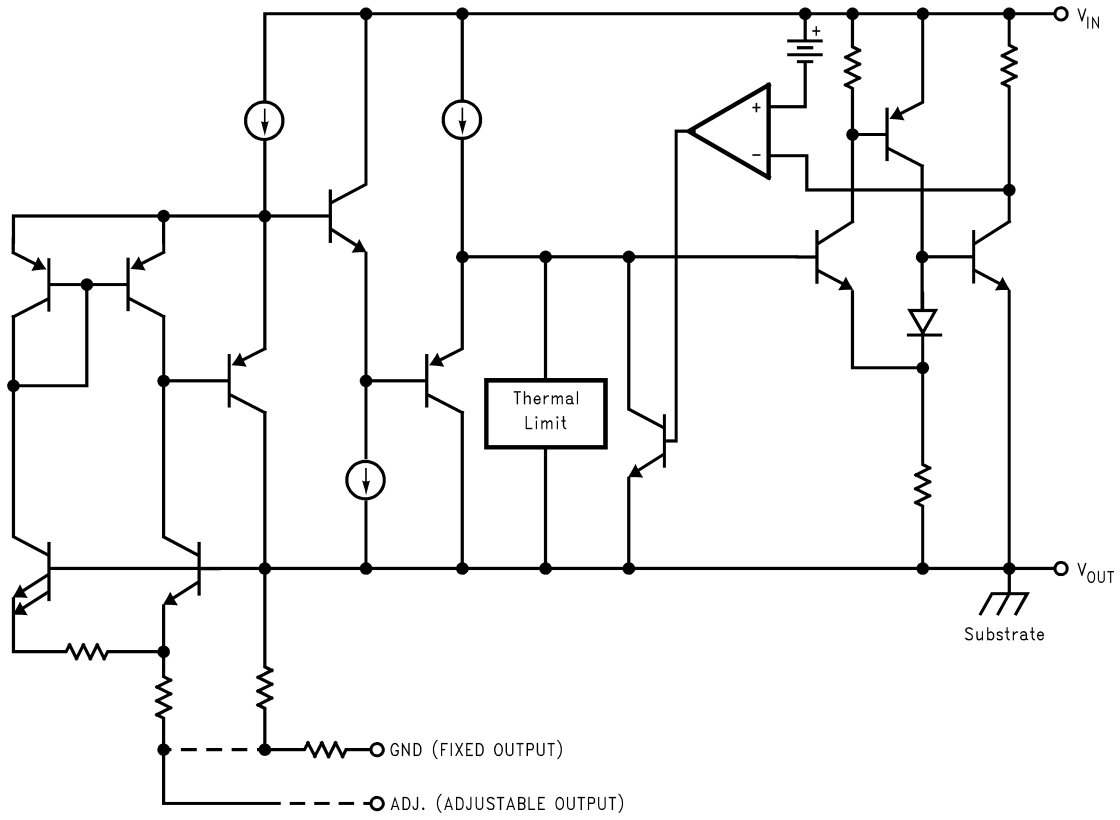


LT is a registered trademark of Linear Technology Corporation
 Pentium is a registered trademark of Intel Corporation
 PowerPC is a registered trademark of IBM

Ordering Information

Output Current	Package	Temperature Range	Part Number	Transport Media	NSC Drawing			
3A	TO-263	0°C to 125°C	LMS1587CS-ADJ	Rails	TS3B			
			LMS1587CSX-ADJ	Tape and Reel				
			LMS1587CS-1.5	Rails				
			LMS1587CSX-1.5	Tape and Reel				
			LMS1587CS-3.3	Rails				
			LMS1587CSX-3.3	Tape and Reel				
		-40°C to 125°C	LMS1587IS-ADJ	Rails				
			LMS1587ISX-ADJ	Tape and Reel				
			LMS1587IS-1.5	Rails				
			LMS1587ISX-1.5	Tape and Reel				
			LMS1587IS-3.3	Rails				
			LMS1587ISX-3.3	Tape and Reel				
		0°C to 125°C	TO-220	0°C to 125°C		LMS1587CT-ADJ	Rails	T03B
						LMS1587CT-1.5	Rails	
LMS1587CT-3.3	Rails							
-40°C to 125°C	LMS1587IT-ADJ			Rails				
	LMS1587IT-1.5			Rails				
	LMS1587IT-3.3			Rails				
5A	TO-263	0°C to 125°C	LMS1585ACS-ADJ	Rails	TS3B			
			LMS1585ACSX-ADJ	Tape and Reel				
			LMS1585ACS-1.5	Rails				
			LMS1585ACSX-1.5	Tape and Reel				
			LMS1585ACS-3.3	Rails				
			LMS1585ACSX-3.3	Tape and Reel				
		-40°C to 125°C	LMS1585AIS-ADJ	Rails				
			LMS1585AISX-ADJ	Tape and Reel				
			LMS1585AIS-1.5	Rails				
			LMS1585AISX-1.5	Tape and Reel				
			LMS1585AIS-3.3	Rails				
			LMS1585AISX-3.3	Tape and Reel				
		0°C to 125°C	TO-220	0°C to 125°C		LMS1585ACT-ADJ	Rails	T03B
						LMS1585ACT-1.5	Rails	
						LMS1585ACT-3.3	Rails	
				-40°C to 125°C		LMS1585AIT-ADJ	Rails	
						LMS1585AIT-1.5	Rails	
						LMS1585AIT-3.3	Rails	

Simplified Schematic



10119714

Absolute Maximum Ratings (Note 1)

If Military/Aerospace specified devices are required, please contact the National Semiconductor Sales Office/Distributors for availability and specifications.

Maximum Input to Output Voltage
(V_{IN} to GND) 13V

Power Dissipation (Note 2)

Junction Temperature (T_J) (Note 2)

Storage Temperature Range

Lead Temperature

ESD Tolerance (Note 3)

Internally Limited

150°C

-65°C to 150°C

260°C, 10 sec

2000V

Electrical Characteristics

Typicals and limits appearing in normal type apply for $T_J = 25^\circ\text{C}$. Limits appearing in **Boldface** type apply over the entire junction temperature range for operation, 0°C to 125°C for commercial grade and -40°C to 125°C for industrial grade.

Symbol	Parameter	Conditions	Min (Note 5)	Typ (Note 4)	Max (Note 5)	Units
V_{REF}	Reference Voltage	LMS1585A-ADJ $V_{IN}-V_{OUT} = 3V$, $I_{OUT} = 10mA$ $10mA \leq I_{OUT} \leq 5A$, $1.5V \leq V_{IN}-V_{OUT} \leq 5.75V$	1.238	1.25	1.262	V
			1.225	1.250	1.275	V
		LMS1587-ADJ $10mA \leq I_{OUT} \leq 3A$, $1.5V \leq V_{IN}-V_{OUT} \leq 5.75V$	1.225	1.250	1.275	V
V_{OUT}	Output Voltage	LMS1585A-1.5 $I_{OUT} = 0mA$, $V_{IN} = 5V$ $0 \leq I_{OUT} \leq 5A$, $3V \leq V_{IN} \leq 7V$	1.485	1.500	1.515	V
			1.470		1.530	V
		LMS1585A-3.3 $I_{OUT} = 0mA$, $V_{IN} = 5V$ $0 \leq I_{OUT} \leq 5A$, $4.75V \leq V_{IN} \leq 7V$	3.267	3.300	3.333	V
			3.235	3.300	3.365	V
		LMS1587-1.5 $V_{IN} = 5V$, $I_{OUT} = 0mA$, $T_J = 25^\circ\text{C}$ $0 \leq I_{OUT} \leq 3A$, $3V \leq V_{IN} \leq 7V$	1.485	1.500	1.515	V
			1.470	1.500	1.530	V
ΔV_{OUT}	Line Regulation (Note 6)	LMS1585A/87-ADJ $I_{OUT} = 10mA$, $2.75V \leq V_{IN} \leq 7V$		0.005	0.2	%
		LMS1585A/87-3.3 $I_{OUT} = 0mA$, $4.75V \leq V_{IN} \leq 7V$		0.005	0.2	%
		LMS1585A/87-1.5 $I_{OUT} = 0mA$, $3V \leq V_{IN} \leq 7V$		0.005	0.2	%
ΔV_{OUT}	Load Regulation (Note 6)	LMS1585A-ADJ $V_{IN}-V_{OUT} = 3V$, $10mA \leq I_{OUT} \leq 5A$		0.05	0.3	%
				0.05	0.5	%
		LMS1585A-1.5/LMS1585A-3.3 $V_{IN} = 5V$, $0 \leq I_{OUT} \leq 5A$		0.05	0.5	%
		LMS1587-ADJ $V_{IN}-V_{OUT} = 3V$, $10mA \leq I_{OUT} \leq 3A$		0.05	0.3	%
$V_{IN}-V_{OUT}$	Dropout Voltage	LMS1585A-ADJ/LMS1587-ADJ $\Delta V_{REF} = 1\%$, $I_{OUT} = 3A$		1.15	1.3	V
		LMS1585A-3.3/LMS1587-3.3/ LMS1585A-1.5/LMS1587-1.5 $\Delta V_{OUT} = 1\%$, $I_{OUT} = 3A$		1.15	1.3	V
		LMS1585A-ADJ $\Delta V_{REF} = 1\%$, $I_{OUT} = 5A$		1.2	1.4	V
		LMS1585A-1.5/LMS1585A-3.3 $\Delta V_{OUT} = 1\%$, $I_{OUT} = 5A$		1.2	1.4	V
				1.2	1.4	V

Electrical Characteristics (Continued)

Typicals and limits appearing in normal type apply for $T_J = 25^\circ\text{C}$. Limits appearing in **Boldface** type apply over the entire junction temperature range for operation, 0°C to 125°C for commercial grade and -40°C to 125°C for industrial grade.

Symbol	Parameter	Conditions	Min (Note 5)	Typ (Note 4)	Max (Note 5)	Units
I_{LIMIT}	Current Limit	LMS1585A-ADJ/LMS1585A-3.3/LMS1585A-1.5 $V_{IN}-V_{OUT} = 5.5\text{V}$	5.0	6.6		A
		LMS1587-ADJ/LMS1587-3.3/LMS1587-1.5 $V_{IN}-V_{OUT} = 5.5\text{V}$	3.1	4.3		A
	Minimum Load Current (Note 7)	LMS1585A/87-ADJ $1.5\text{V} \leq V_{IN}-V_{OUT} \leq 5.75\text{V}$		2.0	10.0	mA
	Quiescent Current	LMS1585A-3.3/LMS1587-3.3/ LMS1585A-1.5/LMS1587-1.5 $V_{IN} = 5\text{V}$		7.0	13.0	mA
	Thermal Regulation	$T_A = 25^\circ\text{C}$, 30ms Pulse		0.003		%/W
	Ripple Rejection	LMS1585A-ADJ $f_{RIPPLE} = 120\text{Hz}$, $V_{IN}-V_{OUT} = 3\text{V}$, $I_{OUT} = 5\text{A}$, $C_{OUT} = 25\mu\text{F}$ Tantalum		72		dB
		LMS1585A-1.5 $f_{RIPPLE} = 120\text{Hz}$, $C_{OUT} = 25\mu\text{F}$ Tantalum, $I_{OUT} = 5\text{A}$, $V_{IN} = 4.5\text{V}$	60	72		dB
		LMS1585A-3.3 $f_{RIPPLE} = 120\text{Hz}$, $C_{OUT} = 25\mu\text{F}$ Tantalum, $I_{OUT} = 5\text{A}$, $V_{IN} = 6.3\text{V}$		72		dB
		LMS1587-ADJ $f_{RIPPLE} = 120\text{Hz}$, $V_{IN}-V_{OUT} = 3\text{V}$, $I_{OUT} = 3\text{A}$ $C_{OUT} = 25\mu\text{F}$ Tantalum		72		dB
		LMS1587-1.5 $f_{RIPPLE} = 120\text{Hz}$, $C_{OUT} = 25\mu\text{F}$ Tantalum, $I_{OUT} = 3\text{A}$, $V_{IN} = 4.5\text{V}$	60	72		dB
		LMS1587-3.3 $f_{RIPPLE} = 120\text{Hz}$, $C_{OUT} = 25\mu\text{F}$ Tantalum, $I_{OUT} = 3\text{A}$, $V_{IN} = 6.3\text{V}$		72		dB
		Adjust Pin Current			55	120
	Adjust Pin Current	$10\text{mA} \leq I_{OUT} \leq I_{FULLLOAD}$, $1.5\text{V} \leq V_{IN}-V_{OUT} \leq 5.75\text{V}$ (Note 8)		0.2		μA
	Temperature Stability			0.5		%
	Long Term Stability	$T_A = 125^\circ\text{C}$, 1000Hrs		0.03		%
	RMS Output Noise (% of V_{OUT})	$10\text{Hz} \leq f \leq 10\text{kHz}$		0.003		%
	Thermal Resistance Junction-to-Case	3-Lead TO-263: Control/Output Section			0.65/2.7	$^\circ\text{C}/\text{W}$
		3-Lead TO-220: Control/Output Section				0.65/2.7

Note 1: Absolute Maximum Ratings indicate limits beyond which damage to the device may occur. Operating Ratings indicate conditions for which the device is intended to be functional, but specific performance is not guaranteed. For guaranteed specifications and the test conditions, see the Electrical Characteristics.

Note 2: The maximum power dissipation is a function of $T_{J(max)}$, θ_{JA} , and T_A . The maximum allowable power dissipation at any ambient temperature is $P_D = (T_{J(max)} - T_A) / \theta_{JA}$. All numbers apply for packages soldered directly into a PC board.

Note 3: For testing purposes, ESD was applied using human body model, 1.5k Ω in series with 100pF.

Note 4: Typical Values represent the most likely parametric norm.

Note 5: All limits are guaranteed by testing or statistical analysis.

Note 6: Load and line regulation are measured at constant junction temperature, and are guaranteed up to the maximum power dissipation of 30W. Power dissipation is determined by the input/output differential and the output current. Guaranteed maximum power dissipation will not be available over the full input/output range.

Note 7: The minimum output current required to maintain regulation.

Note 8: $I_{FULLLOAD}$ is 5A for LMS1585A and 3A for LMS1587.

Note 9: Consult factory for other fixed voltage options.

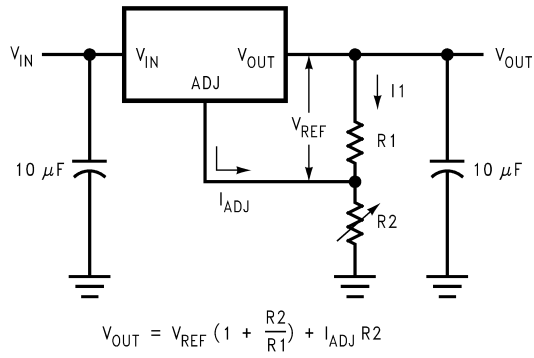
Application Note

OUTPUT VOLTAGE

The adjustable version develops at 1.25V reference voltage, (V_{REF}), between the output and the adjust terminal. As shown in *Figure 1*, this voltage is applied across resistor R1 to generate a constant current I1. This constant current then flows through R2. The resulting voltage drop across R2 adds to the reference voltage to sets the desired output voltage.

The current I_{ADJ} from the adjustment terminal introduces an output error. But since it is small (120 μ A max), it becomes negligible when R1 is in the 100 Ω range.

For fixed voltage devices, R1 and R2 are integrated inside the devices.

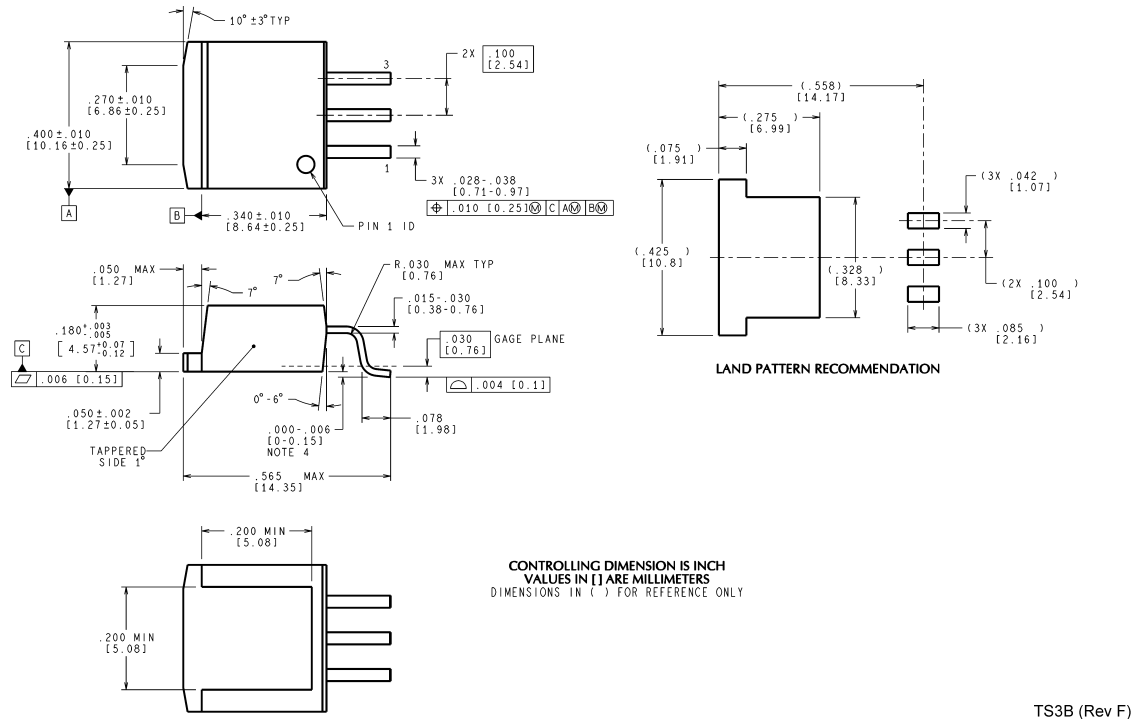


10119772

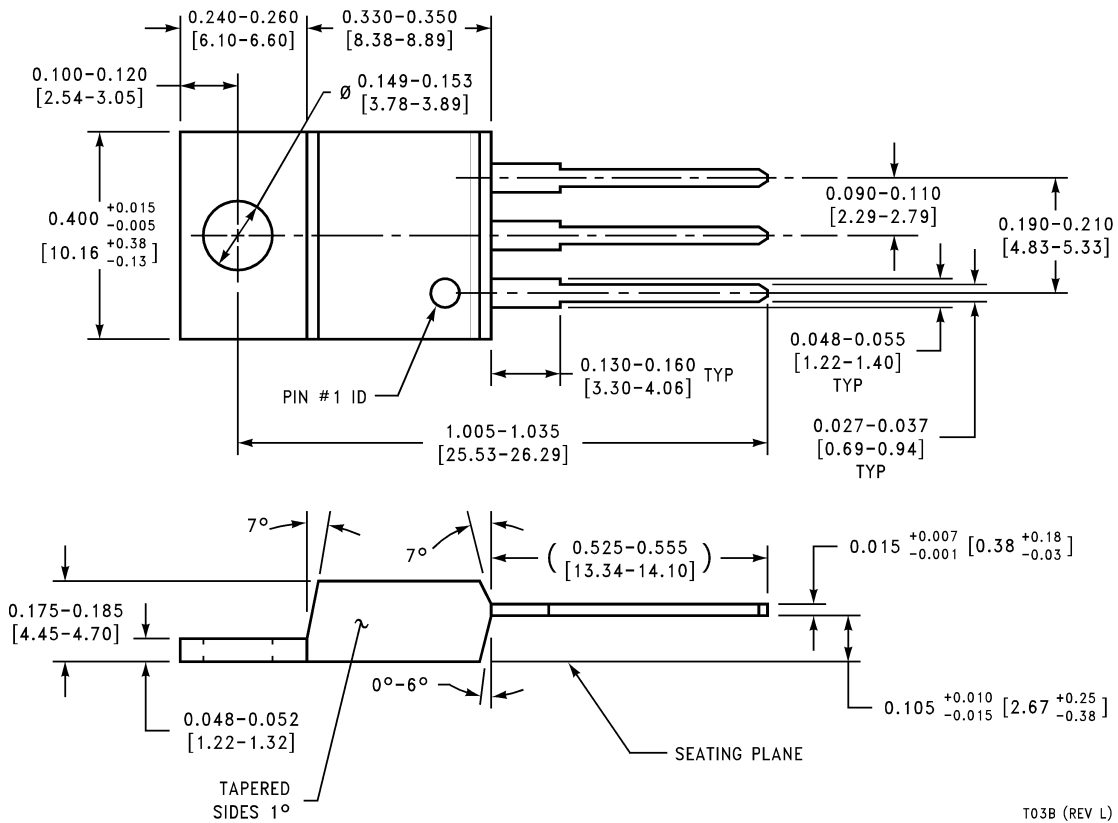
FIGURE 1. Basic Adjustable Regulator

Physical Dimensions inches (millimeters)

unless otherwise noted



**3-Pin TO-263
NS Package Number TS3B**



**3-Pin TO-220
NS Package Number T03B**

Notes

National does not assume any responsibility for use of any circuitry described, no circuit patent licenses are implied and National reserves the right at any time without notice to change said circuitry and specifications.

For the most current product information visit us at www.national.com.

LIFE SUPPORT POLICY

NATIONAL'S PRODUCTS ARE NOT AUTHORIZED FOR USE AS CRITICAL COMPONENTS IN LIFE SUPPORT DEVICES OR SYSTEMS WITHOUT THE EXPRESS WRITTEN APPROVAL OF THE PRESIDENT AND GENERAL COUNSEL OF NATIONAL SEMICONDUCTOR CORPORATION. As used herein:

1. Life support devices or systems are devices or systems which, (a) are intended for surgical implant into the body, or (b) support or sustain life, and whose failure to perform when properly used in accordance with instructions for use provided in the labeling, can be reasonably expected to result in a significant injury to the user.
2. A critical component is any component of a life support device or system whose failure to perform can be reasonably expected to cause the failure of the life support device or system, or to affect its safety or effectiveness.

BANNED SUBSTANCE COMPLIANCE

National Semiconductor manufactures products and uses packing materials that meet the provisions of the Customer Products Stewardship Specification (CSP-9-111C2) and the Banned Substances and Materials of Interest Specification (CSP-9-111S2) and contain no "Banned Substances" as defined in CSP-9-111S2.

Leadfree products are RoHS compliant.



National Semiconductor
Americas Customer
Support Center
Email: new.feedback@nsc.com
Tel: 1-800-272-9959

www.national.com

National Semiconductor
Europe Customer Support Center
Fax: +49 (0) 180-530 85 86
Email: europa.support@nsc.com
Deutsch Tel: +49 (0) 69 9508 6208
English Tel: +44 (0) 870 24 0 2171
Français Tel: +33 (0) 1 41 91 8790

National Semiconductor
Asia Pacific Customer
Support Center
Email: ap.support@nsc.com

National Semiconductor
Japan Customer Support Center
Fax: 81-3-5639-7507
Email: jpn.feedback@nsc.com
Tel: 81-3-5639-7560

IMPORTANT NOTICE

Texas Instruments Incorporated and its subsidiaries (TI) reserve the right to make corrections, modifications, enhancements, improvements, and other changes to its products and services at any time and to discontinue any product or service without notice. Customers should obtain the latest relevant information before placing orders and should verify that such information is current and complete. All products are sold subject to TI's terms and conditions of sale supplied at the time of order acknowledgment.

TI warrants performance of its hardware products to the specifications applicable at the time of sale in accordance with TI's standard warranty. Testing and other quality control techniques are used to the extent TI deems necessary to support this warranty. Except where mandated by government requirements, testing of all parameters of each product is not necessarily performed.

TI assumes no liability for applications assistance or customer product design. Customers are responsible for their products and applications using TI components. To minimize the risks associated with customer products and applications, customers should provide adequate design and operating safeguards.

TI does not warrant or represent that any license, either express or implied, is granted under any TI patent right, copyright, mask work right, or other TI intellectual property right relating to any combination, machine, or process in which TI products or services are used. Information published by TI regarding third-party products or services does not constitute a license from TI to use such products or services or a warranty or endorsement thereof. Use of such information may require a license from a third party under the patents or other intellectual property of the third party, or a license from TI under the patents or other intellectual property of TI.

Reproduction of TI information in TI data books or data sheets is permissible only if reproduction is without alteration and is accompanied by all associated warranties, conditions, limitations, and notices. Reproduction of this information with alteration is an unfair and deceptive business practice. TI is not responsible or liable for such altered documentation. Information of third parties may be subject to additional restrictions.

Resale of TI products or services with statements different from or beyond the parameters stated by TI for that product or service voids all express and any implied warranties for the associated TI product or service and is an unfair and deceptive business practice. TI is not responsible or liable for any such statements.

TI products are not authorized for use in safety-critical applications (such as life support) where a failure of the TI product would reasonably be expected to cause severe personal injury or death, unless officers of the parties have executed an agreement specifically governing such use. Buyers represent that they have all necessary expertise in the safety and regulatory ramifications of their applications, and acknowledge and agree that they are solely responsible for all legal, regulatory and safety-related requirements concerning their products and any use of TI products in such safety-critical applications, notwithstanding any applications-related information or support that may be provided by TI. Further, Buyers must fully indemnify TI and its representatives against any damages arising out of the use of TI products in such safety-critical applications.

TI products are neither designed nor intended for use in military/aerospace applications or environments unless the TI products are specifically designated by TI as military-grade or "enhanced plastic." Only products designated by TI as military-grade meet military specifications. Buyers acknowledge and agree that any such use of TI products which TI has not designated as military-grade is solely at the Buyer's risk, and that they are solely responsible for compliance with all legal and regulatory requirements in connection with such use.

TI products are neither designed nor intended for use in automotive applications or environments unless the specific TI products are designated by TI as compliant with ISO/TS 16949 requirements. Buyers acknowledge and agree that, if they use any non-designated products in automotive applications, TI will not be responsible for any failure to meet such requirements.

Following are URLs where you can obtain information on other Texas Instruments products and application solutions:

Products

Audio	www.ti.com/audio
Amplifiers	amplifier.ti.com
Data Converters	dataconverter.ti.com
DLP® Products	www.dlp.com
DSP	dsp.ti.com
Clocks and Timers	www.ti.com/clocks
Interface	interface.ti.com
Logic	logic.ti.com
Power Mgmt	power.ti.com
Microcontrollers	microcontroller.ti.com
RFID	www.ti-rfid.com
OMAP Mobile Processors	www.ti.com/omap
Wireless Connectivity	www.ti.com/wirelessconnectivity

Applications

Communications and Telecom	www.ti.com/communications
Computers and Peripherals	www.ti.com/computers
Consumer Electronics	www.ti.com/consumer-apps
Energy and Lighting	www.ti.com/energy
Industrial	www.ti.com/industrial
Medical	www.ti.com/medical
Security	www.ti.com/security
Space, Avionics and Defense	www.ti.com/space-avionics-defense
Transportation and Automotive	www.ti.com/automotive
Video and Imaging	www.ti.com/video

TI E2E Community Home Page

e2e.ti.com

Mailing Address: Texas Instruments, Post Office Box 655303, Dallas, Texas 75265
Copyright © 2011, Texas Instruments Incorporated