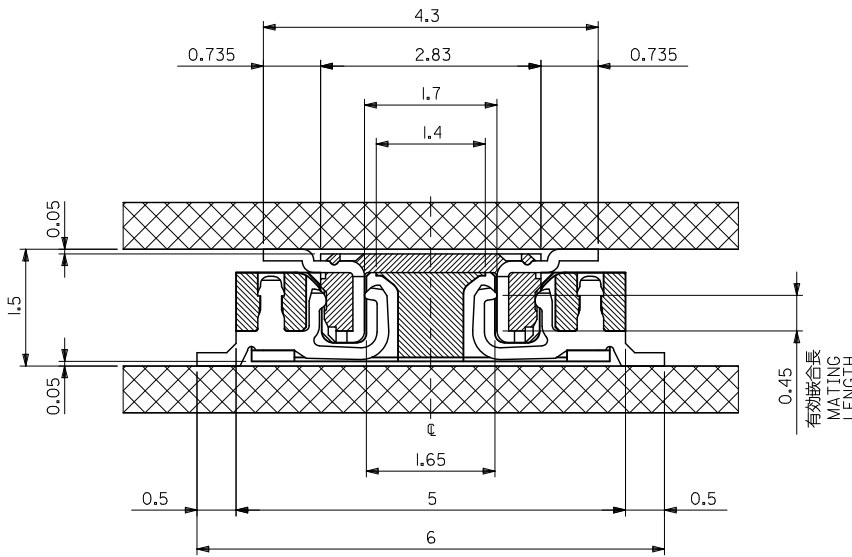


10 9 8 7 6 5 4 3 2 1



嵌合断面図 (参考)  
MATED DRAWING (REF.)

注記 NOTES:

1. 使用材料 MATERIAL  
 ウェハー: 液晶ポリマー ガラス充填, UL94V-0 (黒)  
 WAFER: LIQUID CRYSTAL POLYMER  
 (GLASS FILLED), UL94V-0 (COLOR:BLACK)  
 ピン: 黄銅 (t=0.15)  
 PIN: BRASS (t=0.15)
2. メッキ仕様 PLATING  
 金メッキ 0.25 MICROMETER MINIMUM (コンタクト部)  
 GOLD 0.25 MICROMETER MINIMUM (CONTACT AREA).  
 金メッキ 0.4 MICROMETER MAXIMUM (テール部)  
 GOLD 0.4 MICROMETER MAXIMUM (TAIL AREA).  
 下地メッキ: ニッケルメッキ 1.5 MICROMETER MINIMUM  
 UNDER PLATING; NICKEL 1.5 MICROMETER MINIMUM.  
 △ (全極数/2) = 偶数の場合に適用。  
 APPLY FOR (CIRCUIT/2)=EVEN.
4. 嵌合相手: 54722 シリーズ, 54037 シリーズ  
 MATE WITH: 54722 SERIES, 54037 SERIES.  
 テール平坦度は、0.1 MAXIMUM  
 TAIL COPLANARITY TO BE 0.1 MAXIMUM.
5. 有効嵌合長  
 MATING LENGTH

REVISED EC NO: J2012-0135 DRAWN: YON002 CHKD: TASAKANA APPR: MSASAO K	GENERAL TOLERANCES (UNLESS SPECIFIED)		DIMENSION STYLE MM ONLY		SCALE ---	DESIGN UNITS METRIC	THIRD ANGLE PROJECTION	
	10 UNDER	±0.20	DRAWN BY SAIHARA	DATE 2000/10/05	TITLE 0.5 B-T0-B CONN PLUG ASSY (HGT=1.5)			
	10 OVER 30 UNDER	±0.25	CHECKED BY MSASAO	DATE 2003/03/31	MOLEX INCORPORATED			
	30 OVER	±0.30	APPROVED BY MSASAO	DATE 2003/03/31	MATERIAL NO. SEE SHEET 1	DOCUMENT NO. SD-55560-006	SHEET NO. 2 OF 2	
ANGULAR ±3°		DRAFT WHERE APPLICABLE MUST REMAIN WITHIN DIMENSIONS		THIS DRAWING CONTAINS INFORMATION THAT IS PROPRIETARY TO MOLEX INCORPORATED AND SHOULD NOT BE USED WITHOUT WRITTEN PERMISSION				