

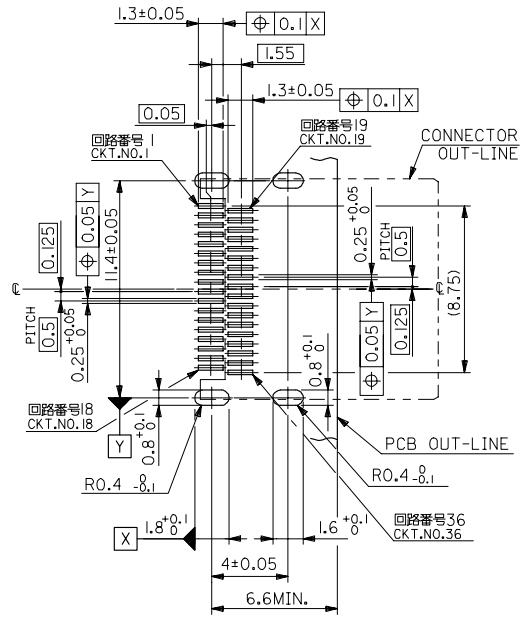
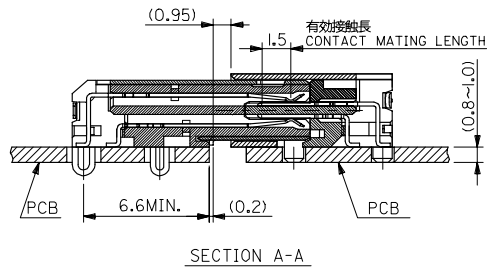
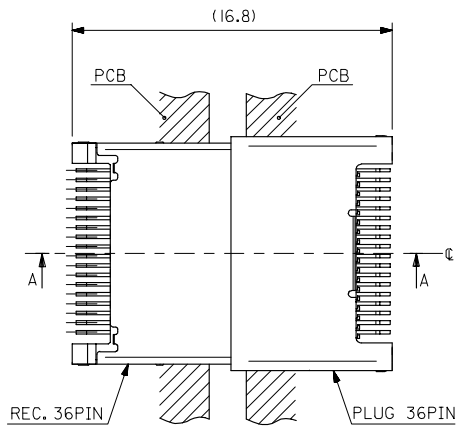
**NOTE:**

- 適合プラグ番号 : 36PIN : 55929-36\*\*  
APPLICABLE PLUG NO.:
- 材質  
MATERIAL
- 2-1. ハウジング : ガラス入り耐熱樹脂  
94V-0, 黒色  
HOUSING: G.F.HEAT RESISTANT PLASTIC  
94V-0, BLACK COLOR
- 2-2. ターミナル : 銅合金  
TERMINAL COPPER ALLOY
- 2-3. リセ シールド : ステンレス鋼  
REC. SHIELD STAINLESS STEEL
3. メッキ仕様  
PLATING
- 3-1. ターミナル  
TERMINAL
- 3-1-1. 接点部 : 金メッキ 0.1umMIN.  
CONTACT AREA GOLD  
: パラジウムニッケルメッキ 0.2umMIN.  
PALLADIUM-NICKEL
- 3-1-2. 半田付け部 : 錫メッキ 1.0um以上  
SOLDER TAIL AREA TIN
- 3-1-3. 下地メッキ : ニッケルメッキ 1.5 ~ 3um  
UNDER-PLATING NICKEL
- 3-2. リセ シールド  
REC. SHIELD
- 3-2-1. 金コート処理  
GOLD COATING
- 3-2-2. 下地メッキ : ニッケルメッキ 1.0 ~ 2um  
UNDER-PLATING NICKEL
4. 本製品は 54944-3631 の鉛フリー品である。  
THIS PRODUCT IS LEAD FREE OF 54944-3631.

54944-3636	54944-36**
MODEL NO.	MATERIAL NO.

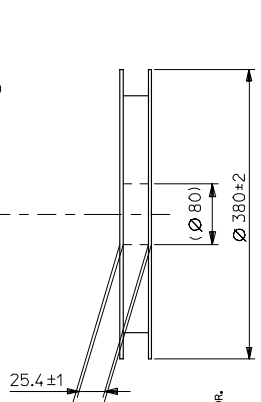
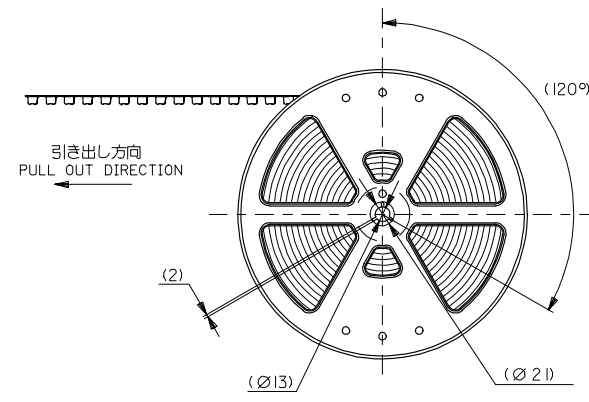
RELEASED IEC NO. J2005-0234 DRAWN BY CHKDKT010 APPR: NIKITA 2004/07/26 2004/07/26 2004/07/29	GENERAL TOLERANCES (UNLESS SPECIFIED)		DIMENSION STYLE MM ONLY		SCALE 5:1	DESIGN UNITS METRIC	THIRD ANGLE PROJECTION
	10 UNDER	±0.2	DRAWN BY MNABE I	DATE '04/07/21	TITLE 0.5 I/O CONN 36PIN REC. HSG ASSY -LEAD FREE- MOLEX INCORPORATED		
	10 OVER 30 UNDER	±0.25	CHECKED BY KTOJO	DATE '04/07/21			
	30 OVER	±0.3	APPROVED BY NUKITA	DATE '04/07/21			
	ANGULAR	±3 °	MATERIAL NO.		DOCUMENT NO.	SHEET NO.	
DRAFT WHERE APPLICABLE MUST REMAIN WITHIN DIMENSIONS		SEE CHART		SD-54944-027		1 OF 2	

10 9 8 7 6 5 4 3 2 1

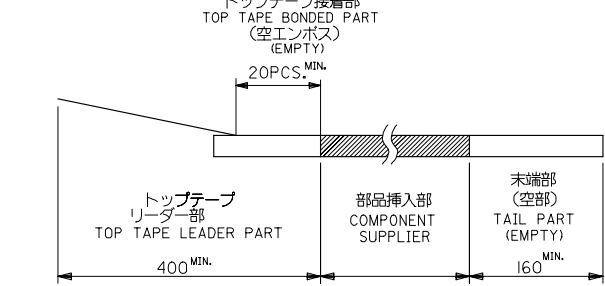


RELEASED IEC NO. J2005-0234 DRW:MNABE1 2004/07/26 CHK:KTOJO 2004/07/26 APPR:NUKITA 2004/07/29	GENERAL TOLERANCES (UNLESS SPECIFIED)		DIMENSION STYLE MM ONLY		SCALE 5:1	DESIGN UNITS METRIC	THIRD ANGLE PROJECTION
	10 UNDER	±0.2	DRAWN BY MNABE1	DATE '04/07/21	TITLE 0.5 I/O CONN 36PIN REC. HSG ASSY -LEAD FREE-		
	10 OVER 30 UNDER	±0.25	CHECKED BY KTOJO	DATE '04/07/21	MOLEX INCORPORATED		
	30 OVER	±0.3	APPROVED BY NUKITA	DATE '04/07/21	DOCUMENT NO. SD-54944-027		
	ANGULAR	±3°	MATERIAL NO.	SEE CHART	SHEET NO. 2 OF 2		
DRAFT WHERE APPLICABLE MUST REMAIN WITHIN DIMENSIONS		SIZE A3	THIS DRAWING CONTAINS INFORMATION THAT IS PROPRIETARY TO MOLEX INCORPORATED AND SHOULD NOT BE USED WITHOUT WRITTEN PERMISSION				

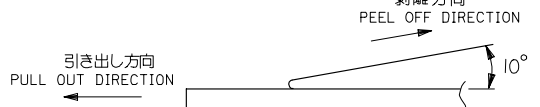
10 9 8 7 6 5 4 3 2 1



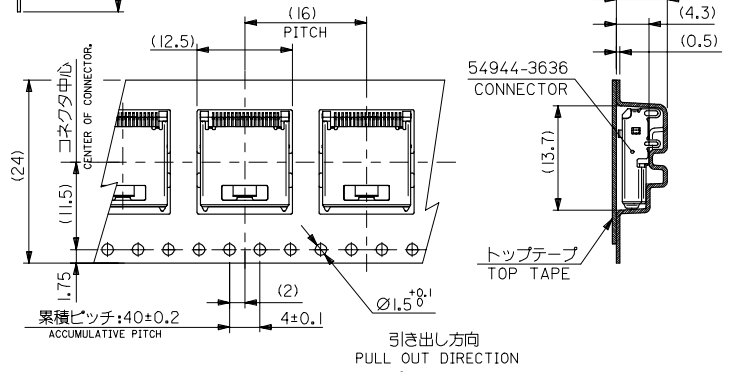
- 注記**  
NOTES
- 製品番号 54944-3636 の詳細寸法については、SD-54944-027 を参照下さい。  
IN THE PACKAGE, PART NO. 54944-3636 RE DETAILED DIMENSIONS, SEE SD-54944-027.
  - 梱包数量: 800個/リール  
NUMBER OF CONNECTORS: 800 PCS/REEL
  - リードテープ長さ  
LEAD TAPE LENGTH



4. トップテープの剥離強度: (剥離方向は下図参照)  
PEELING OFF FORCE OF TOP TAPE (PEELING DIRECTION AS SHOWN IN FOLLOWING FIG.)  
0.1~1.3N { 10~130gf }  
尚、本規格値は、出荷時に適用。  
(但し、輸送時に剥離が発生しない事。)  
THIS REQUIREMENT SHOULD BE APPLIED AT SHIPMENT  
(PEEL OFF SHOULD NOT BE ALLOWED DURING TRANSPORTATION)



5. 材料  
MATERIAL  
キャリアテープ: ポリプロピレン (PP)  
CARRIER TAPE: POLYPROPYLENE (PP)  
トップテープ: PET, PE, PEF  
TOP TAPE: PET, PE, PEF  
リール: ポリスチレン  
REEL: POLYSTYRENE



6. 本製品は 54944-3693 の鉛フリー品である。  
THIS PRODUCT IS LEAD FREE OF 54944-3693.

59499-0103	59499-7803	59405-0236	36	54944-3636	54944-3673	54944-367*
TOP TAPE	REEL	EMBOSSED TAPE	CKT.	CONNECTOR	R	MATERIAL NO. MODEL NO.

RELEASED IEC NO. J2005-0234 DRAWN: MABEI CHKD: KTOJO APPR: NUKITA 2004/07/26 2004/07/26 2004/07/29	GENERAL TOLERANCES (UNLESS SPECIFIED)		DIMENSION STYLE MM ONLY		SCALE ---	DESIGN UNITS METRIC	THIRD ANGLE PROJECTION
	10 UNDER	±0.2	DRAWN BY MABEI	DATE '04/07/21	EMBOSSED TAPE PACKAGE FOR 54944-3636 -LEAD FREE- MOLEX INCORPORATED		
	10 OVER 30 UNDER	±0.25	CHECKED BY KTOJO	DATE '04/07/21			
	30 OVER	±0.3	APPROVED BY NUKITA	DATE '04/07/21			
	ANGULAR	±3 °	MATERIAL NO. SEE CHART		DOCUMENT NO. SD-54944-028	SHEET NO. 1 OF 1	
DRAFT WHERE APPLICABLE MUST REMAIN WITHIN DIMENSIONS		SIZE A3	THIS DRAWING CONTAINS INFORMATION THAT IS PROPRIETARY TO MOLEX INCORPORATED AND SHOULD NOT BE USED WITHOUT WRITTEN PERMISSION				