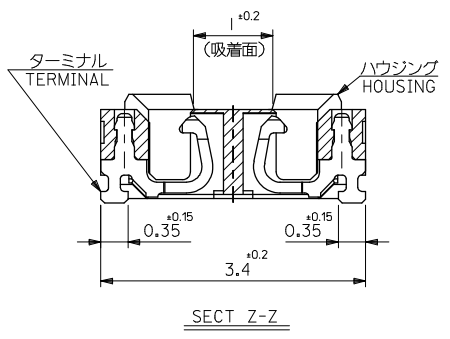
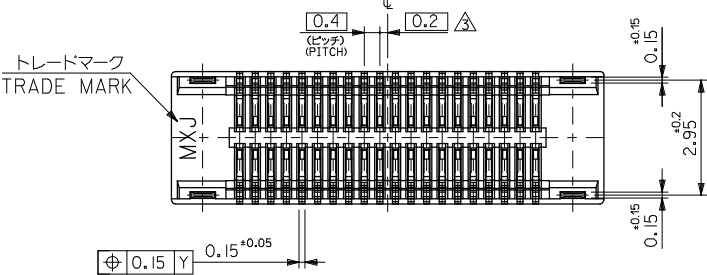
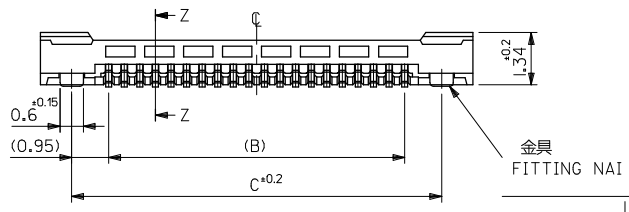
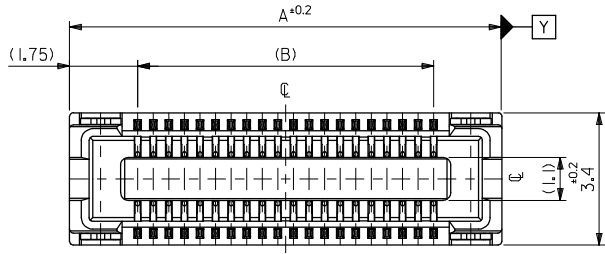


10 9 8 7 6 5 4 3 2 1

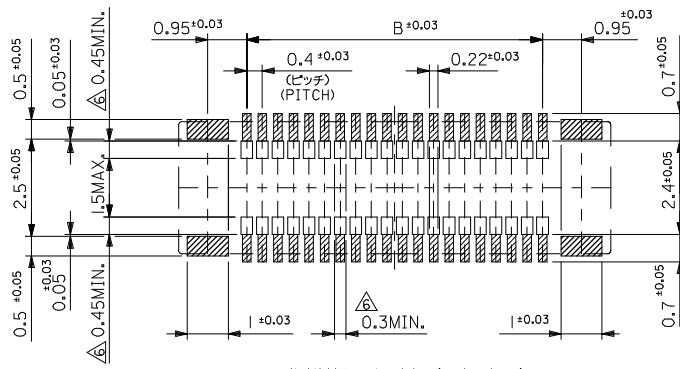


25.5	23.6	27.1	51338-1274	51338-1209	120
21.5	19.6	23.1	51338-1074	51338-1009	100
19.5	17.6	21.1	51338-0974	51338-0909	90
17.5	15.6	19.1	51338-0874	51338-0809	80
15.5	13.6	17.1	51338-0774	51338-0709	70
13.5	11.6	15.1	51338-0674	51338-0609	60
11.5	9.6	13.1	51338-0574	51338-0509	50
9.5	7.6	11.1	51338-0474	51338-0409	40
8.3	6.4	9.9	51338-3474	51338-0349	34
7.5	5.6	9.1	51338-0374	51338-0309	30
6.7	4.8	8.3	51338-2674	51338-0269	26
6.3	4.4	7.9	51338-2474	51338-0249	24
5.9	4.0	7.5	51338-2274	51338-0229	22
5.5	3.6	7.1	51338-0274	51338-0209	20
3.9	2.0	5.5	51338-9974	51338-0129	12
C	B	A	EMBOSSED TAPE PKG. ORDER No. オーダー番号	MATERIAL No.	CKT.

REVISED IEC NO: J2009-0301 DRAWN BY: M. NINOMIYA CHECKED BY: K. TOJO APPROVED BY: M. SASAO DATE: 2008/08/27 DATE: 2008/08/28 DATE: 2008/08/28	GENERAL TOLERANCES (UNLESS SPECIFIED)		DIMENSION STYLE MM ONLY		SCALE ---	DESIGN UNITS METRIC	MODEL NO. 51338-***9
	10 UNDER	±---	DRAWN BY M. NINOMIYA	DATE 2004/03/17	TITLE 0.4 B-T0-B REC ASSY HGT=1.5 J-BEND TAIL -LEAD FREE-		
	10 OVER	±---	CHECKED BY K. TOJO	DATE 2004/03/17	MOLEX INCORPORATED		
	30 OVER	±---	APPROVED BY M. SASAO	DATE 2004/03/17	DOCUMENT NO. SD-51338-003		
ANGULAR	±---	DRAFT WHERE APPLICABLE MUST REMAIN WITHIN DIMENSIONS		MATERIAL NO. SEE TABLE	SHEET NO. 1 OF 2		

注記 NOTES:

1. 使用材料 MATERIAL
 ハウジング: 液晶ポリマー (LCP) ガラス充填 UL94V-0 (黒)
 HOUSING: LIQUID CRYSTAL POLYMER (GLASS FILLED)
 UL94V-0 (COLOR: BLACK)
 ターミナル: リン青銅 (t=0.15)
 TERMINAL: PHOSPHOR BRONZE (t=0.15)
 金具: リン青銅 (t=0.15)
 FITTING NAIL: PHOSPHOR BRONZE (t=0.15)
 2. メッキ仕様 PLATING
 ターミナル TERMINAL
 金メッキ 0.2マイクロメートル以上 (コンタクト部)
 GOLD 0.2MICROMETER MINIMUM (CONTACT AREA)
 金メッキ 0.4マイクロメートル以下 (テール部)
 GOLD 0.4MICROMETER MAXIMUM (TAIL AREA)
 下地メッキ: ニッケルメッキ 1.5マイクロメートル以上
 UNDER PLATING: NICKEL 1.5MICROMETER MINIMUM
 *コンタクト部とテール部はニッケルメッキによって分断されている金メッキです。
 DIVIDE INTO PARTS THE GOLD PLATING OF THE CONTACT AND THE TAIL PART BY THE NICKEL PLATING.
 金具 FITTING NAIL
 錫メッキ 1.0 マイクロメートル以上
 TIN PLATING 1.0 MICROMETER MINIMUM
 下地メッキ: ニッケルメッキ 1.0 マイクロメートル以上
 UNDER PLATING: NICKEL 1.0 MICROMETER MINIMUM
- ③ (金繰数/2) = 偶数の場合に適用。
 APPLY FOR (CIRCUIT/2)=EVEN.
4. 嵌合相手: 55909シリーズ
 MATE WITH: 55909 SERIES.
 5. テール平坦度は、0.08以下
 テール及び金具の平坦度は、0.1以下
 TAIL COPLANARITY TO BE 0.08MAXIMUM
 TAIL AND FITTING NAIL COPLANARITY TO BE 0.1MAXIMUM
 - ④ 同一回路以外のパターン書込み禁止範囲を示す。
 NO PRINT CIRCUIT AREA OTHER THAN THE SAME CIRCUIT.
 7. 本製品は 51338-***3 の鉛フリー品である。
 THIS PRODUCT IS LEAD FREE OF 51338-***3.



参考基板レイアウト (マウント面)
 P.C. BOARD PATTERN DIMENSION (REFERENCE)
 (MOUNTING AREA)

REVISED E.C. NO: J2009-0301 T.D.R. NAME: 2008/08/27 CHYK: THARYAMA APPR: NIKITA 2008/08/28 2008/08/28	GENERAL TOLERANCES (UNLESS SPECIFIED)		DIMENSION STYLE MM ONLY		51338-***9		MODEL NO.		
	10 UNDER	±---	DRAWN BY	DATE	SCALE	DESIGN UNITS	THIRD ANGLE PROJECTION		
	10 OVER	±---	M. NINOMIYA	2004/03/17	---	METRIC			
	30 OVER	±---	K. TOJO	2004/03/17	TITLE		0.4 B-T0-B REC ASSY HGT=1.5 J-BEND TAIL -LEAD FREE-		
ANGULAR	±---°	APPROVED BY	DATE	MOLEX INCORPORATED					
DRAFT WHERE APPLICABLE MUST REMAIN WITHIN DIMENSIONS		MATERIAL NO.	SEE SHEET 1	DOCUMENT NO.		SD-51338-003		SHEET NO. 2 OF 2	
				SIZE THIS DRAWING CONTAINS INFORMATION THAT IS PROPRIETARY TO MOLEX INCORPORATED AND SHOULD NOT BE USED WITHOUT WRITTEN PERMISSION					

10 9 8 7 6 5 4 3 2 1

F

E

D

C

B

A

F

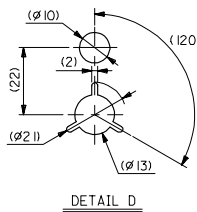
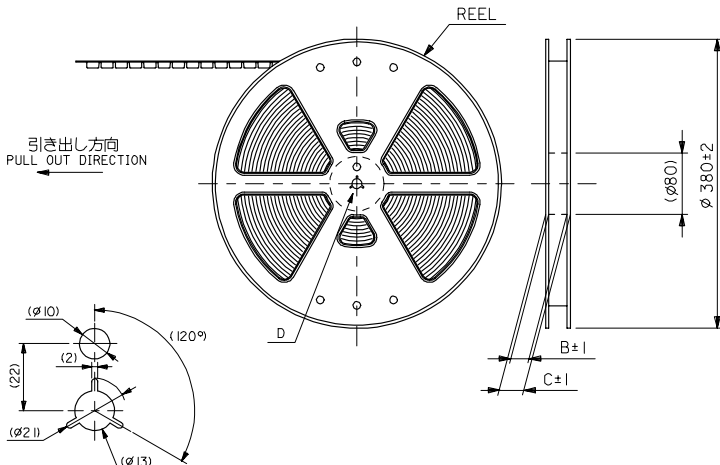
E

D

C

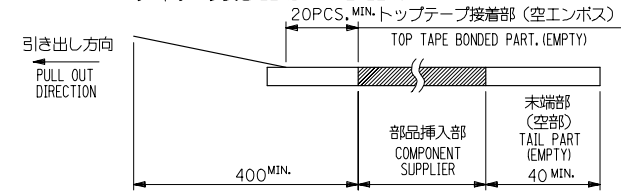
B

A

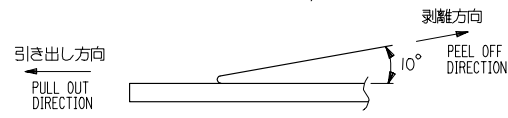


NOTES

- 製品詳細寸法については製品単体図面を参照下さい。
RE DETAILED DIMENSION, SEE PRODUCT DRAWING.
- 梱包数量：2500個/リール
NUMBER OF CONNECTORS : 2500PCS/REEL
- リードテープ長さ LEAD TAPE LENGTH
20PCS. MIN. トップテープ接着部 (空インボス)

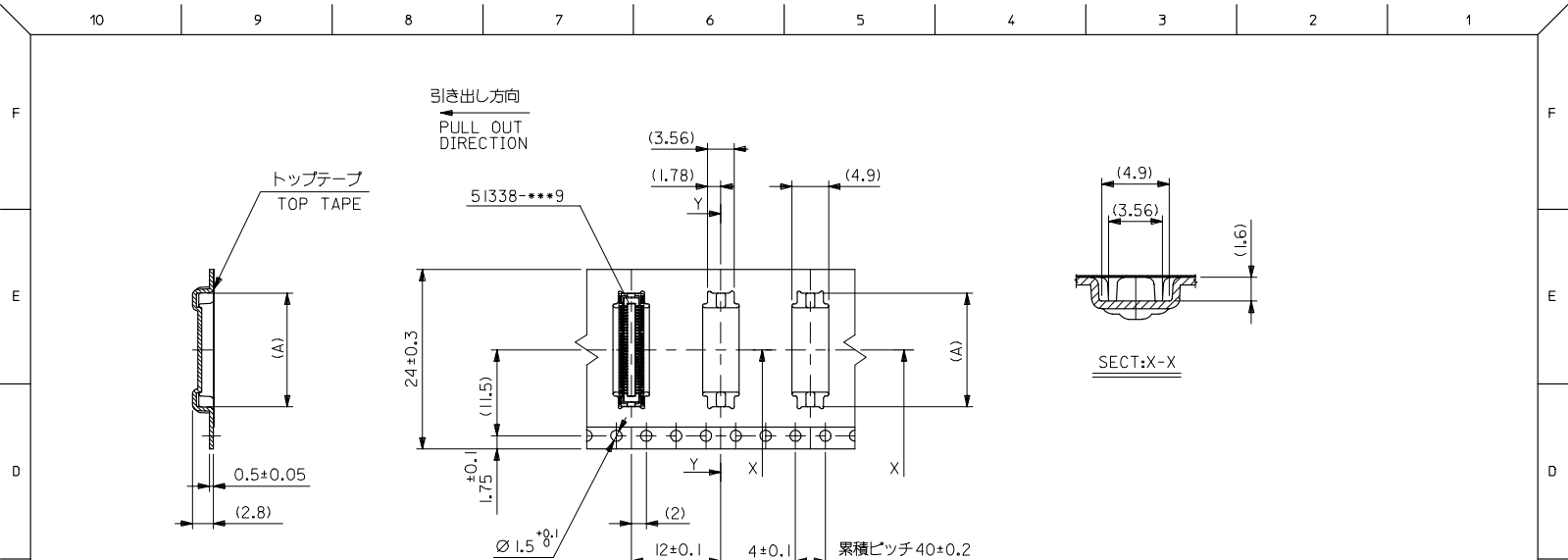


- トップテープの剥離強度：0.1N～1.3N(10gf～130gf)
(剥離方向は下図参照)
尚、本規格値は出荷時に適用。(但し、輸送時に剥離が発生しないこと。)
PEELING OFF FORCE OF TOP TAPE : 0.1N～1.3N(10gf～130gf)
(PEELING DIRECTION AS SHOWN IN FOLLOWING FIG.)
THIS REQUIREMENT SHOULD BE APPLIED AT SHIPMENT.
PEEL OFF SHOULD NOT BE ALLOWED, DURING TRANSPORTATION.



- 材料
キャリアテープ (CARRIER TAPE) : ポリプロピレン (POLYPROPYLENE)
トップテープ (TOPTAPE) : PET, PE, PEF
リール (REEL) : ポリスチレン (PS) <リサイクル材を含む>
POLYSTYRENE (PS) <RECYCLE MATERIAL CONTAINED>
- 本製品は 51338-**** の鉛フリー品である。
THIS PRODUCT IS LEAD FREE OF 51338-****.

REVISED EC NO: J2006-0826 DRW: HIRATAKEMOTO CHK: CHIKO APPR: NIKITA 2005/09/30 2005/09/30 2005/09/30	GENERAL TOLERANCES (UNLESS SPECIFIED)		DIMENSION STYLE MM ONLY		51338-****74		MODEL NO.
	10 UNDER ±---		DRAWN BY M.NINOMI DATE 2004/03/17		SCALE ---	DESIGN UNITS METRIC	THIRD ANGLE PROJECTION 0.4 B-TO-B CONN. REC HSG ASSY(HGT=1.5) EMBSTP PKG -LEAD FREE-
	10 OVER 30 UNDER ±---		CHECKED BY K.TOJO DATE 2004/03/17		TITLE		
	30 OVER ±---		APPROVED BY M.SASAO DATE 2004/03/17		MOLEX INCORPORATED		DOCUMENT NO. SD-51338-004
ANGULAR ±---°		DRAFT WHERE APPLICABLE MUST REMAIN WITHIN DIMENSIONS		MATERIAL NO. SEE CHART		THIS DRAWING CONTAINS INFORMATION THAT IS PROPRIETARY TO MOLEX INCORPORATED AND SHOULD NOT BE USED WITHOUT WRITTEN PERMISSION	



Carrier Tape Width (mm)	Carrier Tape Height (mm)	Carrier Tape Width (mm)	Carrier Tape Height (mm)	Carrier Tape Width (mm)	Carrier Tape Height (mm)	Carrier Tape Width (mm)	Carrier Tape Height (mm)	Carrier Tape Width (mm)	Carrier Tape Height (mm)		
24	29.4	25.4	15.26	51338-0674	60	13.26	51338-0574	50	11.26	51338-0474	40
			10.06	51338-3474	34	9.26	51338-0374	30	8.46	51338-2674	26
			8.06	51338-2474	24	7.66	51338-2274	22	7.26	51338-0274	20
			5.66	51338-9974	12						

24mm幅キャリアテープ 24mm WIDTH CARRIER TAPE		累積ピッチ 40±0.2 ACCUMULATIVE PITCH 40±0.2		51338-***74 MODEL NO.		THIRD ANGLE PROJECTION	
キャリアテープ幅 CARRIER TAPE WIDTH		C B (A)		MATERIAL NO.		極数 CKT.	

REVISED EC NO: J2006-0826 DRW: H. TAKEMOTO 2005/09/30 CHK: C. TANAKA 2005/09/30 APPR: N. ITO 2005/09/30	DESCRIPTION GENERAL TOLERANCES (UNLESS SPECIFIED) 10 UNDER ± --- 10 OVER 30 UNDER ± --- 30 OVER ± --- ANGULAR ± --- ° DRAFT WHERE APPLICABLE MUST REMAIN WITHIN DIMENSIONS	DIMENSION STYLE MM ONLY	SCALE ---	DESIGN UNITS METRIC	TITLE 0.4 B-TO-B CONN. REC HSG ASSY (HGT=1.5) EMBSTP PKG -LEAD FREE-	MOLEX INCORPORATED	DOCUMENT NO. SD-51338-004	SHEET NO. 2 OF 4
DRAWN BY: M. NINOMI DATE: 2004/03/17 CHECKED BY: K. TOJO DATE: 2004/03/17 APPROVED BY: M. SASAO DATE: 2004/03/17		SEE CHART		THIS DRAWING CONTAINS INFORMATION THAT IS PROPRIETARY TO MOLEX INCORPORATED AND SHOULD NOT BE USED WITHOUT WRITTEN PERMISSION				

10 9 8 7 6 5 4 3 2 1

F F

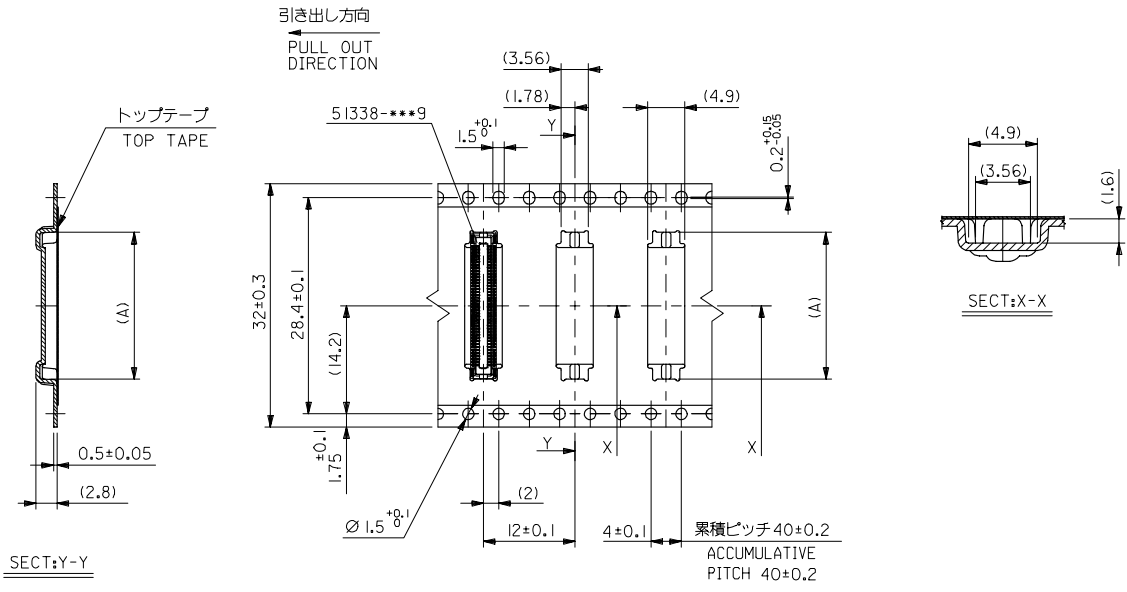
E E

D D

C C

B B

A A



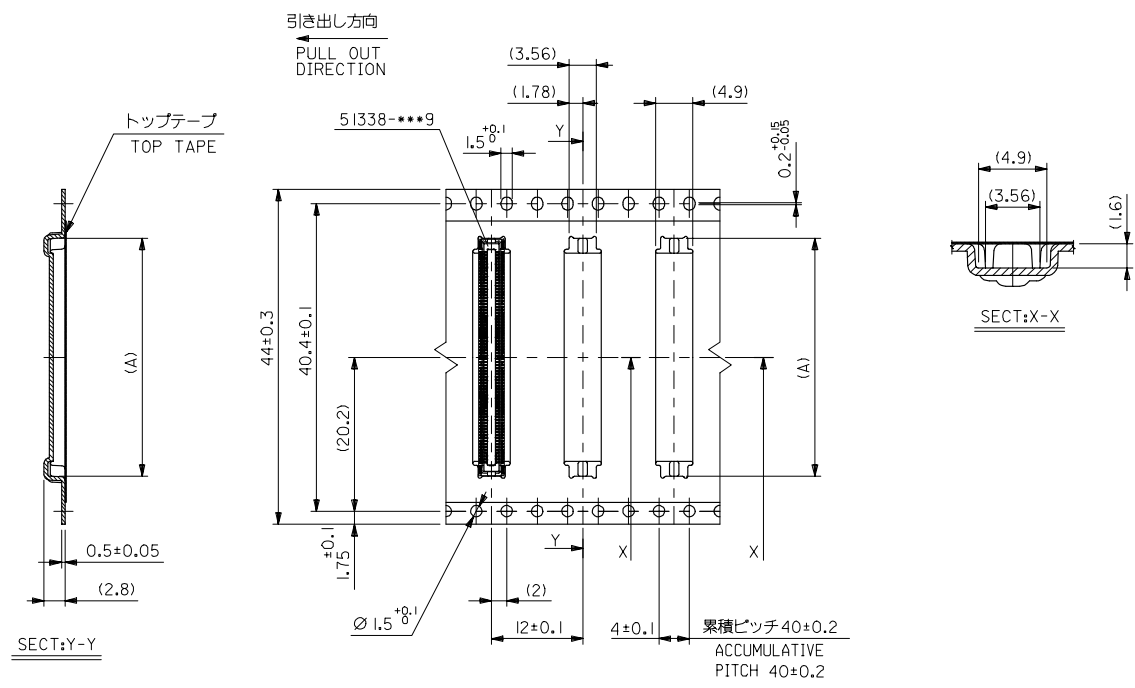
32mm幅キャリアテープ
32mm WIDTH CARRIER TAPE

32	37.4	33.4	21.26	51338-0974	90
キャリアテープ幅 CARRIER TAPE WIDTH	C	B	(A)	MATERIAL NO.	極数 CKT.
			19.26	51338-0874	80
			17.26	51338-0774	70

REVISED EC NO: J2006-0826 DRW: H. TAKEMOTO 2005/09/30 CHK: H. TANAKA 2005/09/30 APPR: N. MIYATA 2005/09/30	GENERAL TOLERANCES (UNLESS SPECIFIED)	DIMENSION STYLE MM ONLY	51338-***74	MODEL NO.	
	10 UNDER ±--- 10 OVER 30 UNDER ±--- 30 OVER ±--- ANGULAR ±---°	DRAWN BY M. NINOMI DATE 2004/03/17 CHECKED BY K. TOJO DATE 2004/03/17 APPROVED BY M. SASAO DATE 2004/03/17	SCALE ---	DESIGN UNITS METRIC	THIRD ANGLE PROJECTION
	DRAFT WHERE APPLICABLE MUST REMAIN WITHIN DIMENSIONS	MATERIAL NO. SEE CHART	TITLE 0.4 B-T-O-B CONN. REC HSG ASSY(HGT=1.5) EMBSTP PKG -LEAD FREE-		
		SIZE A3	DOCUMENT NO. SD-51338-004	SHEET NO. 3 OF 4	

10 9 8 7 6 5 4 3 2 1

F
E
D
C
B
A



44mm幅キャリアテープ
44mm WIDTH CARRIER TAPE

44	49.4	45.4	27.26	51338-1274	120
キャリアテープ幅 CARRIER TAPE WIDTH	C	B	23.26	51338-1074	100
			51338-***74	MODEL NO.	

REVISED EC NO: J2006-0826 DRW: NITAKEMOTO CHK: K.TOJO APPR: NUKITA 2005/09/30 2005/09/30 2005/09/30	GENERAL TOLERANCES (UNLESS SPECIFIED)	DIMENSION STYLE MM ONLY	SCALE ---	DESIGN UNITS METRIC	THIRD ANGLE PROJECTION	
	70 UNDER ± --- 10 OVER 30 UNDER ± --- 30 OVER ± --- ANGULAR ± --- °	DRAWN BY M.NINOMI DATE 2004/03/17 CHECKED BY K.TOJO DATE 2004/03/17 APPROVED BY M.SASAO DATE 2004/03/17	TITLE 0.4 B-TO-B CONN. REC HSG ASSY(HGT=1.5) EMBSTP PKG -LEAD FREE-	MOLEX INCORPORATED		
	DRAFT WHERE APPLICABLE MUST REMAIN WITHIN DIMENSIONS	MATERIAL NO. SEE CHART	DOCUMENT NO. SD-51338-004	SHEET NO. 4 OF 4		
	THIS DRAWING CONTAINS INFORMATION THAT IS PROPRIETARY TO MOLEX INCORPORATED AND SHOULD NOT BE USED WITHOUT WRITTEN PERMISSION					