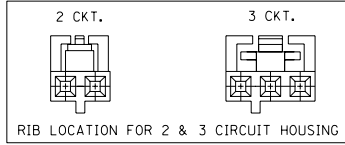


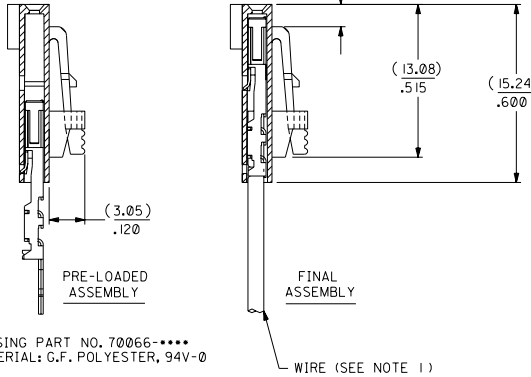
# OPTION G

## NOTES:

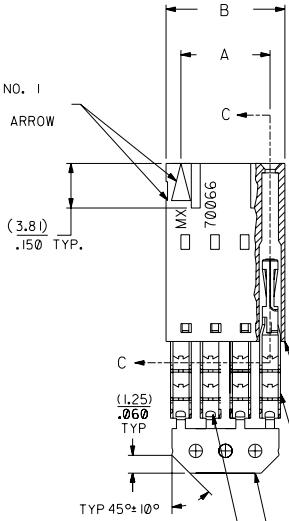
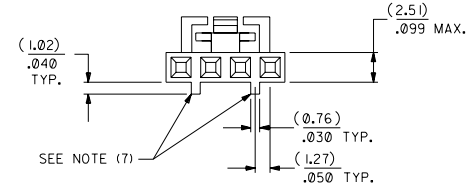
- 1) TO BE USED WITH (22) AWG. STRANDED WIRE WITH (1.35)/.053 DIA. MAX. INSULATION.
- 2) SEE CHART FOR CIRCUIT SIZES.
- 3) STANDARD PACKAGING PER PK-70873-0001. OPTIONAL PACKAGING MAY BE AVAILABLE, REQUEST DWG. PK-70400
- 4) PARTS STACKABLE END TO END ON (2.54)/.100 CENTERS.
- 5) REFER TO PRODUCT SPECIFICATION; PS-70400.
- 6) SEE DWG. SDA-70400-\*\*\*\* (SHT. 5) FOR OPTIONAL HOUSING DETAILS.
- 7) 4 CIRCUIT SHOWN. 4 - 25 CKT'S. HAVE (2) RIBS.
- 8) TO MATE WITH MOLEX PART NO.'S.: A-70373-\*\*\*\*, A-70375-\*\*\*\*, A-70389-\*\*\*\*, A-70391-\*\*\*\*, 70107-\*\*\*\*, 70018-\*\*\*\*, A-70543-\*\*\*\*, A-70553-\*\*\*\*, A-70541-\*\*\*\*, A-70551-\*\*\*\*, A-70545-\*\*\*\*, A-70555-\*\*\*\*.
- 9) 2 CIRCUIT ASSEMBLIES SUPPLIED AS GROUPED PAIRS.



## SECTION C-C



CIRCUIT NO. 1  
SLOT OR ARROW



HOUSING PART NO. 70066-\*\*\*\*  
MATERIAL: G.F. POLYESTER, 94V-0

TERMINAL PART NO. 70028-\*\*\*\*  
MATERIAL: PHOSPHOR BRONZE  
PLATING PER ES-88-\*\*\*

15 GOLD - .000015 MIN. GOLD IN SELECT AREA WITH  
.000075 MIN. TIN  
IN SELECT AREA OVER .000050 MIN. NICKEL  
OVER-ALL.

\*THE PRIMARY SHIPPING CARTON WILL BE LABELED "COMPLIANT TO  
RoHS DIRECTIVE 2002/95/EC AND ELV ANNEX II OF DIRECTIVE 2000/53/EC".  
CARTONS WITHOUT THIS LABEL MAY CONTAIN PRODUCT WITH LEAD.

I.D. SLOT CODE TO WIRE GAUGE CHART	
I.D. SLOT CODE	WIRE GAUGE
D	22 AWG.

PLATING CODE (STRIPE ON CARRIER STRIP)	
PLATING	COLOR
15 GOLD	YELLOW

CKT. SIZE	70400		EDP. NO.	ENG. NO.
	A	B		
2	( 2.54 ) 1.00	( 5.05 ) .199	14-56-7027	A-70400-2976
3	( 5.08 ) .200	( 7.59 ) .299	14-56-7037	A-70400-2977
4	( 7.62 ) .300	( 10.13 ) .399	14-56-7047	A-70400-2978
5	( 10.16 ) .400	( 12.67 ) .499	14-56-7057	A-70400-2979
6	( 12.70 ) .500	( 15.21 ) .599	14-56-7067	A-70400-2980
7	( 15.24 ) .600	( 17.75 ) .699	14-56-7077	A-70400-2981
8	( 17.78 ) .700	( 20.29 ) .799	14-56-7087	A-70400-2982
9	( 20.32 ) .800	( 22.83 ) .899	14-56-7097	A-70400-2983
10	( 22.86 ) .900	( 25.37 ) .999	14-56-7107	A-70400-2984
11	( 25.54 ) 1.000	( 27.91 ) 1.099	14-56-7117	A-70400-2985
12	( 27.94 ) 1.100	( 30.45 ) 1.199	14-56-7127	A-70400-2986
13	( 30.48 ) 1.200	( 32.99 ) 1.299	14-56-7137	A-70400-2987
14	( 33.02 ) 1.300	( 35.53 ) 1.399	14-56-7147	A-70400-2988
15	( 35.56 ) 1.400	( 38.07 ) 1.499	14-56-7157	A-70400-2989
16	( 38.01 ) 1.500	( 40.61 ) 1.599	14-56-7167	A-70400-2990
17	( 40.64 ) 1.600	( 43.15 ) 1.699	14-56-7177	A-70400-2991
18	( 43.18 ) 1.700	( 45.69 ) 1.799	14-56-7187	A-70400-2992
19	( 45.72 ) 1.800	( 48.23 ) 1.899	14-56-7197	A-70400-2993
20	( 48.26 ) 1.900	( 50.77 ) 1.999	14-56-7207	A-70400-2994
21	( 50.80 ) 2.000	( 53.31 ) 2.099	14-56-7217	A-70400-2995
22	( 53.34 ) 2.100	( 55.85 ) 2.199	14-56-7227	A-70400-2996
23	( 55.88 ) 2.200	( 58.39 ) 2.299	14-56-7237	A-70400-2997
24	( 58.42 ) 2.300	( 60.93 ) 2.399	14-56-7247	A-70400-2998
25	( 60.96 ) 2.400	( 63.47 ) 2.499	14-56-7257	A-70400-2999

E I		ADD CARRIER CHAMP ECN #JDT1998-0208 05/20/98 LMCGRATH		DIMENSIONS SHOWN (METRIC) INCH		MFG, SHL, REV.	
E		REVISED PER ECN# 1100049 9-29-90 MGB		TOLERANCES ANGULAR ± 1/32°		REVISIONS	
F		LEAD FREE UCP2004-1769 RWWHITE 04/03/22		DRAFT WHERE APPLICABLE MUST REMAIN WITHIN DIMENSIONS		TITLE	
D		REVISED PER ECN# U90726 7-10-89 MGB		INCH METRIC 3 PLACE ± .010 --- 2 PLACE ± .014 ± 0.25 1 PLACE --- ± 0.35		ASSEMBLY, SL CONNECTOR (SINGLE ROW - (2.54)/.100 GRID)	
LTR. REVISIONS		LTR. REVISIONS		ORG: AAB CHG. BY: WAZ SCALE: 4:1		MOLEX INCORPORATED SHEET NO. DATE 11513.1L1 69532 U.S.A. 10/26/87	
				PART NO. DRWG. NO. 74002976 SDA-70400-2976-2999		SEE CHART	
				NO DIMENSION CONTAINING INFORMATION THAT IS PROPRIETARY TO MOLEX INC. AND SHOULD NOT BE USED WITHOUT WRITTEN PERMISSION.		DA C	