

FCI CONFIDENTIAL



This document is the property of and embodies CONFIDENTIAL and PROPRIETARY information of FCI. No part of the information shown on this document may be used in any way or disclosed to others without the written consent of FCI. Copyright FCI.

PRODUCT NUMBER
20020516-MXX1B01LF

20020516- [] [] [] 1 B 0 1 L F

PITCH
M: 7.62 mm

POLES
02: 2 POLES
03: 3 POLES
04: 4 POLES
|
|
|
16: 16 POLES

PROPERTY TABLE	
FCI SERIES NAME	04-762
PITCH (mm)	7.62
VOLTAGE RATING (VAC)	300
CURRENT RATING (A)	32
SOLID/STRANDED WIRE (AWG)	10~24
WIRE CROSS SECTION(mm×mm)	6.0~0.2
WIRE STRIP LENGTH(mm)	10~11
TORQUE (N·m/Lb·in)	0.79/7.0
SCREW	M3.5
WITHSTANDING VOLTAGE (kV)	1.6
OPERATING TEMP. (°C)	-40~115
POLES AVAILABLE	02~16
SAFETY CERTIFICATE	

- NOTES:
1. MATERIALS
1-1 HOUSING: THERMAL PLASTIC RESIN, UL 94V-0 RATED, COLOR GREEN.
1-2 SCREW: STEEL, ZINC PLATED.
1-3 CLAMP: BRASS, NICKEL PLATED.
1-4 TERMINAL: COPPER, TIN PLATED.
1-5 WIRE GUARD: STAINLESS STEEL.
 2. PRODUCT SPECIFICATION REFER TO FCI GS-12-625.
 3. BOXED PACKAGING, DETAILED PRODUCT PACKING SPECIFICATION REFER TO FCI GS-14-1394.
 4. FCI SAFETY CERTIFICATE LOGO AND SERIES NAME TO BE SHOWN ON PRODUCT SURFACE.

rev	ecn no	dr	date
A	DG09-0203	BF	062509
B	T09-1148	BF	111709
C	T09-1152	BF	112609

Material	Spec ref	tolerance	projection	MM
Mat code		✓		
Heattreat				
Plating/Finish				
Dr	BEER FU	062509	size	A4
Eng	BEER FU	062509	Product family	
Chr	GARY HSIEH	062509	Model Name	
Appr	JOSEPH HSIA	062509	Model Revision	
			ECN	T09-1152
			REL Level	RELEASED
	title	TERMINAL BLOCK	chg no	20020516
Pro/E file	catalog no	Pluggable plug, contact down side	Rev.	C
			CUSTOMER	sheet 1 of 2

TOLERANCES UNLESS OTHERWISE SPECIFIED

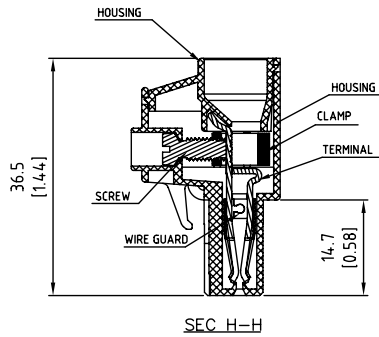
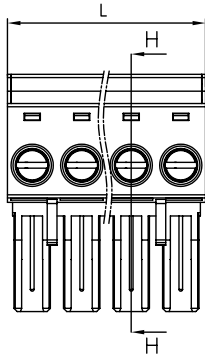
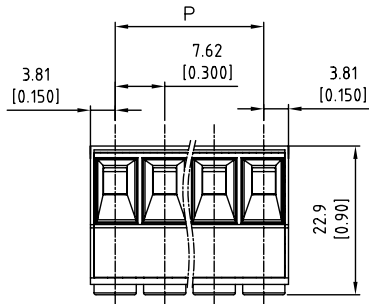
	X	±0.5			
LINEAR	XX	±0.30			
	XXX	±0.10			
ANGULAR	X°	±P			

FCI CONFIDENTIAL



This document is the property of and embodies CONFIDENTIAL and PROPRIETARY information of FCI. No part of this information shown on this document may be used in any way or disclosed to others without the written consent of FCI. Copyright FCI.

PRODUCT NUMBER	SERIES NAME	PITCH
20020516-MXXIB01LF	04-762	7.62 mm



N = Number of poles
 Dim L = N x 7.62 [0.300]
 Dim P = (N - 1) x 7.62 [0.300]

TOL.	Dim L	Dim P
2-4p	±0.10 [0.004]	
5-8p	±0.20 [0.008]	
9-12p	±0.30 [0.012]	
13-16p	±0.40 [0.016]	

Material		Spec ref	
Mat code		✓ tolerance	projection MM
Heattreat			
Plating/Finish		size A4	Scale
Dr	BEER FU 062509		
Eng	BEER FU 062509	Product family	
Chr	GARY HSIEH 062509	Model Name	
Appr	JOSEPH HSIA 062509	Model Revision	
		ECN	T09-1152
		REL Level	RELEASED
FCI logo	title		Rev.
	TERMINAL BLOCK		C
Pro/E file	catalog no	chg no	20020516
		CUSTOMER	sheet 2 of 2