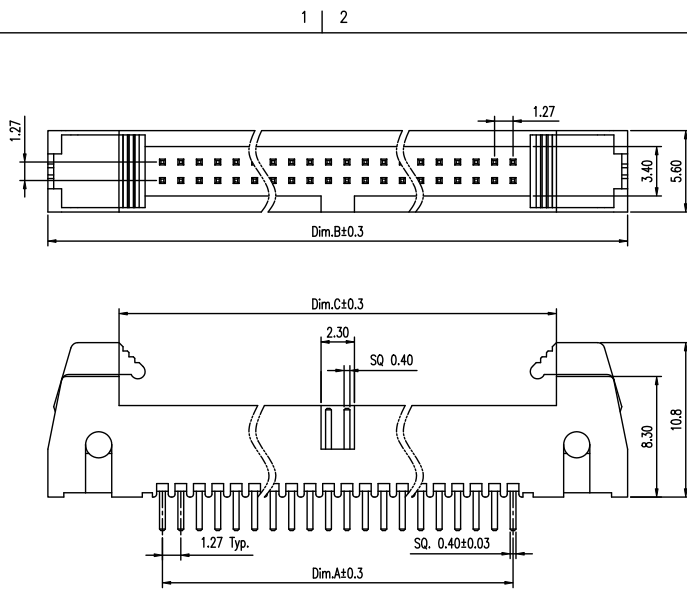


Tous droits strictement réservés. Reproduction ou communication à des tiers interdite sous quelque forme que ce soit sans autorisation écrite du propriétaire. Property of FCI. Droits de reproduction FCI.



All rights strictly reserved. Reproduction or issue to third parties in any form whatever is not permitted without written authority from the proprietor. Property of FCI. Copyright FCI.



- NOTE:
- MATERIAL, HOUSING: HIGH TEMP PLASTIC, UL94-V0, BLACK
TERMINAL: COPPER ALLOY, SQ=0.40±0.03MM
 - FINISH: TERMINAL: GOLD AT CONTACT, G/F OVER 1um(40u")MIN Ni OVER ALL
 - SPEC.: PRODUCT SPEC: GS-12-629
PACKING SPEC: GS-14-1420
 - THE HSG. WILL WITHSTAND EXPOSURE TO 260C PEAK TEMP. FOR 10 SEC. IN A WAVE SOLDER APPLICATION WITH A PCB.
 - PRODUCT NUMBERING: 20021611 - 0 0 0 XX X X LF

LEAD FREE
PLATING:
1: GOLD FLASH ALL OVER
4: 0.25um(10U")GOLD AT CONTACT
8: 0.76um(30U")GOLD AT CONTACT
PACKING
T: TUBE
PIN COUNT
SEE TABLE 1

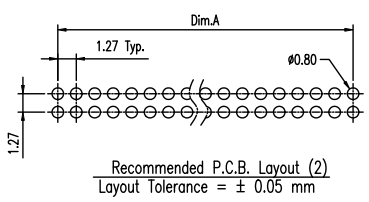


TABLE 1

DASH No.	Dim.	Amount of Pins	Dim.A	Dim.B	Dim.C
-000 06 XX LF	6	2.54	18.31	8.46	
-000 10 XX LF	10	5.08	20.85	11.00	
-000 12 XX LF	12	6.35	22.12	12.27	
-000 14 XX LF	14	7.62	23.39	13.54	
-000 16 XX LF	16	8.89	24.66	14.81	
-000 20 XX LF	20	11.43	27.20	17.35	
-000 26 XX LF	26	15.24	31.01	21.16	
-000 30 XX LF	30	17.78	33.55	23.70	
-000 34 XX LF	34	20.32	36.09	26.24	
-000 40 XX LF	40	24.13	39.90	30.05	
-000 44 XX LF	44	26.67	42.44	32.59	
-000 50 XX LF	50	30.48	46.25	36.40	
-000 60 XX LF	60	36.83	52.60	42.75	
-000 64 XX LF	64	39.37	55.14	45.29	
-000 66 XX LF	66	40.64	56.41	46.56	
-000 68 XX LF	68	41.91	57.68	47.83	

mat'l. code		tolerances unless otherwise specified		CUSTOMER COPY	www.fciconnect.com
ltr	ecn no	dr	date	linear	
A	T09-1117	S.LIN	09/15/09	.X ± 0.38	
B	T10-0025	S.LIN	01/20/10	.XX ± 0.25 .XXX ± 0.10	
				angles	product family
				dr STERLING LIN	585
				engr STERLING LIN	size
				chr GARY HSIEH	dwg no
				appd JOSEPH HSIA	scale
					NA
sheet index	revision sheet	B	1		code
					20021611
					sheet 1 of 1