

Copyright FCI.



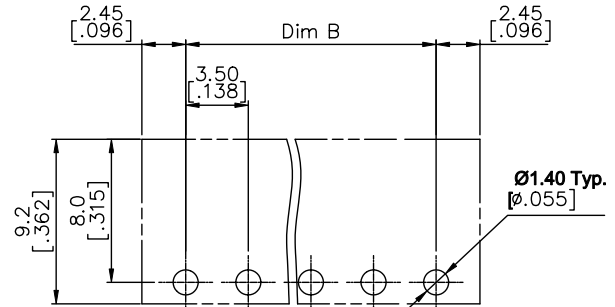
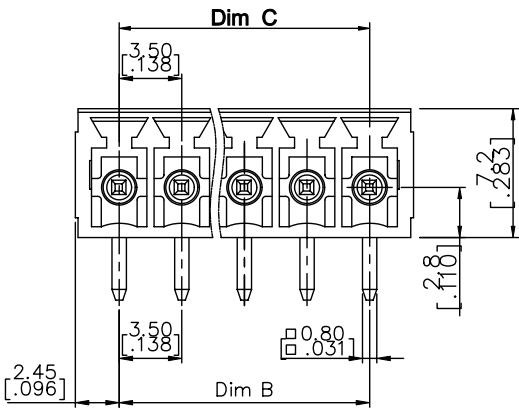
FCIconnect.com

1 | 2

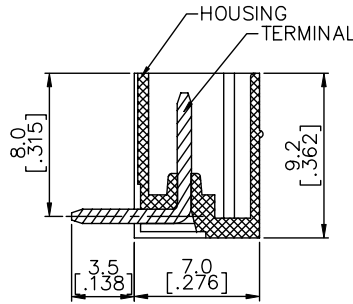
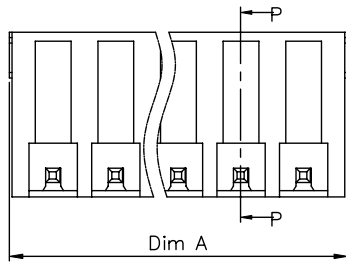
3

4

PRODUCT NUMBER	SERIES NAME	PITCH
20020110-CXXXXXLF	06-350	3.50 mm



RECOMMENDED P.C.B LAYOUT



SECTION P-P

N= NUMBER OF POLES
DIMENSION

Dim A	$(N-1) \times 3.5 [.138] + 4.9 [.193]$
Dim B	$(N-1) \times 3.5 [.138]$
Dim C	$(N-1) \times 3.5 [.138]$

Poles	Tolerance
2P-6P	$\pm 0.15 [.006]$
7P-12P	$\pm 0.20 [.008]$
13P-18P	$\pm 0.25 [.010]$
19P-24P	$\pm 0.30 [.012]$

mat'l. code	surface ASME Y14.5	tolerance ASME Y14.5	projection	product family	TERMINAL BLOCK
ltr	ecn	no	dr	date	title
K					TERMINAL BLOCK PLUGABLE, SOCKET, SIGNAL, R/A
					dwg no
					20020110
					sheet 2 of 5
					size
					A4
					type
					CUSTOMER Drawing
sheet index	revision	sheet			

form: A4mmXLc

1 |

2

PDS: Rev :K3

STATUS:Released

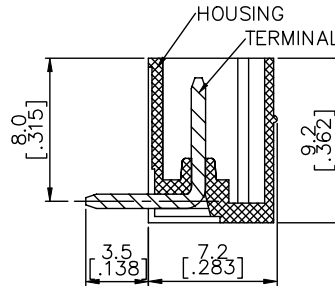
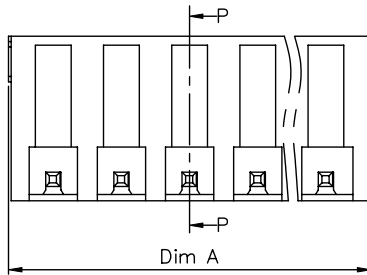
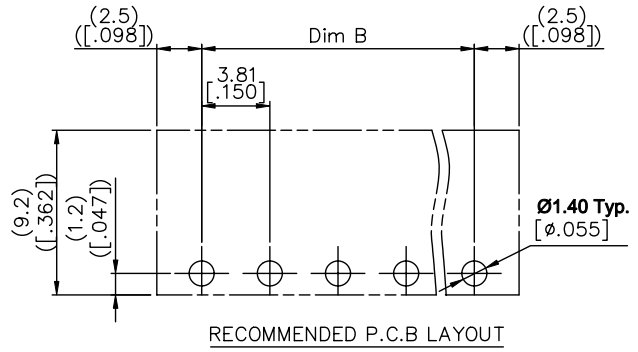
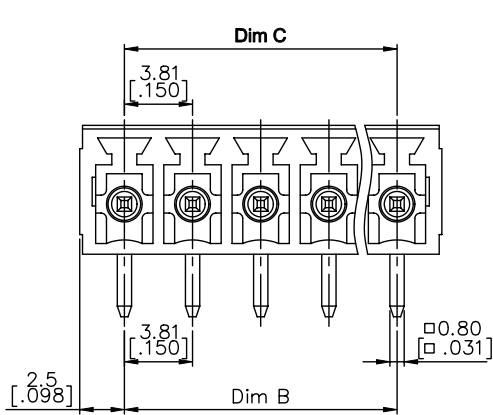
Printed: Aug 02 2011

Copyright FCI



FCIconnect.com

PRODUCT NUMBER	SERIES NAME	PITCH
20020110-DXXXXXXLF	06-381	3.81 mm



N= NUMBER OF POLES
DIMENSION

Dim A	$(N-1) \times 3.81 [.150] + 5.0 [.197]$
Dim B	$(N-1) \times 3.81 [.150]$
Dim C	$(N-1) \times 3.81 [.150]$

Poles	Tolerance
2p-6p	±0.15 [.006]
7p-12p	±0.20 [.008]
13p-16p	±0.25 [.010]
17p-24p	±0.30 [.012]

mat'l. code	surface ASME Y14.5	tolerance ASME Y14.5	projection	product family	TERMINAL BLOCK
ltr	ecn	no	dr	date	title
K					TERMINAL BLOCK PLUGABLE, SOCKET, SIGNAL, R/A
					MM [INCH]
					scale
dr	BEER FU	062509			dwg no
enr	BEER FU	062509			sheet 3 of 5
chr	GARY HSIEH	062509			20020110
appd	JOSEPH HSIA	062509			A4
sheet index	revision sheet				type
					CUSTOMER Drawing

form: A4mmXLC

PDS: Rev :K3

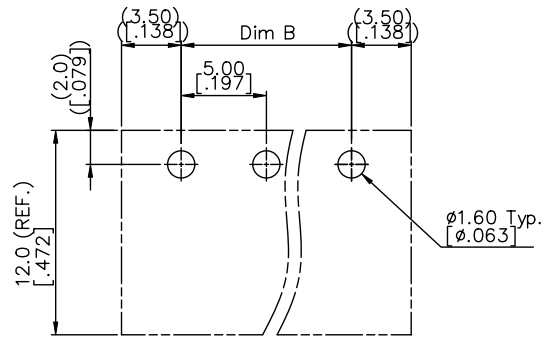
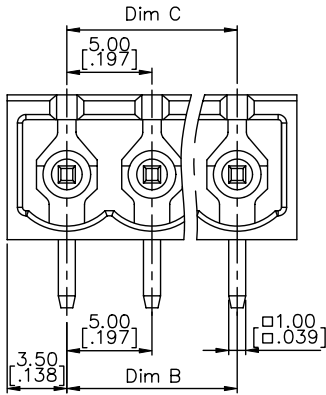
STATUS:Released

Printed: Aug 02 2011

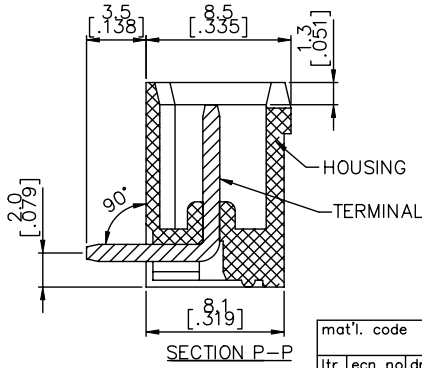
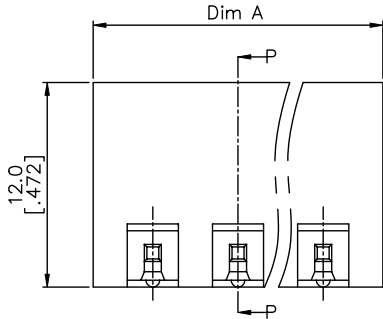
Copyright FCI.

FCI
FCIconnect.com

PRODUCT NUMBER	SERIES NAME	PITCH
20020110-GXXXXXXLF	06-500	5.00 mm



RECOMMENDED P.C.B LAYOUT



N = NUMBER OF POLES
DIMENSION

Dim A	$N * 5.0 [.197] + 2.0 [.193]$
Dim B	$(N - 1) * 5.0 [.197]$
Dim C	$(N - 1) * 5.0 [.197]$

Poles	Tolerance
2p-6p	$\pm 0.15 [.006]$
7p-12p	$\pm 0.25 [.010]$
13p-16p	$\pm 0.35 [.014]$
17p-24p	$\pm 0.40 [.016]$

mat'l. code	surface ASME Y14.5	tolerance ASME Y14.5	projection 	product family TERMINAL BLOCK							
ltr	ecn	no	dr	date	tolerances unless otherwise specified	angles $\frac{D}{E}$	MM [INCH]	scale	title TERMINAL BLOCK PLUGABLE, SOCKET, SIGNAL, R/A		
			dr	BEER FU	062509				dwg no	sheet 4 of 5	size
			engr	BEER FU	062509				20020110		A4
			chr	GARY HSIEH	062509						
			appd	JOSEPH HSIA	062509						
sheet index	revision	sheet							type	CUSTOMER Drawing	

form: A4mmXLC

PDS: Rev :K3

STATUS:Released

Printed: Aug 02 2011

Copyright FCI.

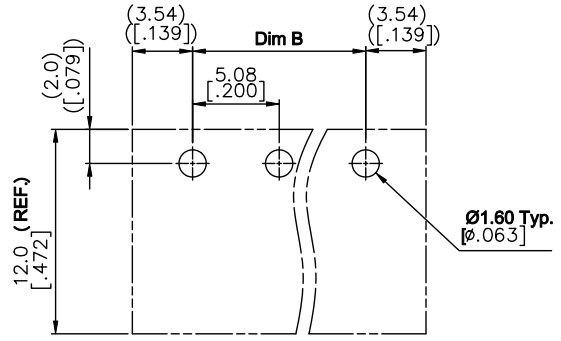
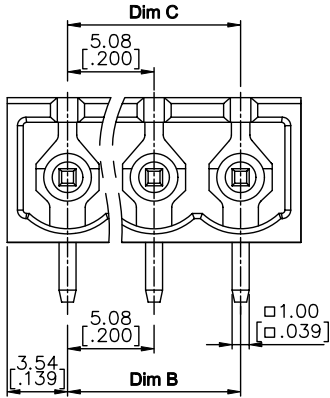


1 | 2

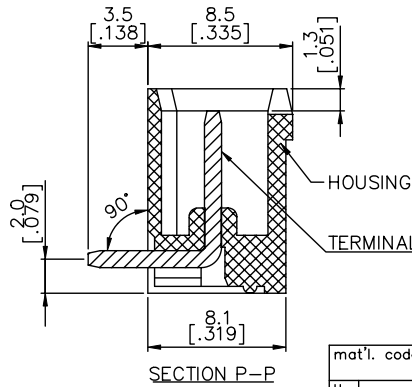
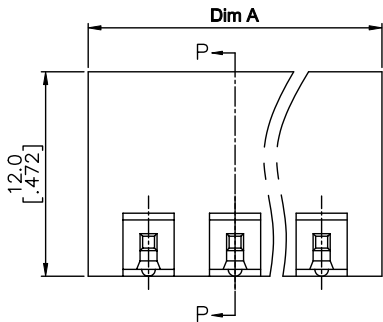
3

4

PRODUCT NUMBER	SERIES NAME	PITCH
20020110-HXXXXXXLF	06-508	5.08 mm



RECOMMENDED P.C.B LAYOUT



N = NUMBER OF POLES
DIMENSION

Dim A	$N \cdot 5.08 [.200] + 2.0 [.193]$
Dim B	$(N-1) \cdot 5.08 [.200]$
Dim C	$(N-1) \cdot 5.08 [.200]$

Poles	Tolerance
2p-6p	$\pm 0.15 [.006]$
7p-12p	$\pm 0.25 [.010]$
13p-16p	$\pm 0.35 [.014]$
17p-24p	$\pm 0.40 [.016]$

mat'l. code	surface ASME Y14.5	tolerance ASME Y14.5	projection	product family	TERMINAL BLOCK
ltr	ecn	no	dr	date	title
K					TERMINAL BLOCK PLUGABLE, SOCKET, SIGNAL, R/A
					dwg no
					20020110
					sheet 5 of 5
					size A4
					type
					CUSTOMER Drawing
sheet index	revision	sheet			

form: A4mmXLc

1

2

PDS: Rev :K3

STATUS:Released

Printed: Aug 04 2011