

FCI CONFIDENTIAL



This document is the property of and embodies CONFIDENTIAL and PROPRIETARY information of FCI. No part of the information shown on this document may be used in any way or disclosed to others without the written consent of FCI. Copyright FCI.

PRODUCT NUMBER
20020004-XXX1B01LF

20020004 - [] [] [] 1 B 0 1 LF

PITCH
C: 3.50 mm
D: 3.81 mm

POLES
02: 2 poles
03: 3 poles
04: 4 poles
24: 24 poles

LF: DENOTED RoHS COMPATIBLE

PROPERTY TABLE		
FCI SERIES NAME	01-350	01-381
PITCH (mm)	3.50	3.81
VOLTAGE RATING (VAC)	300	300
CURRENT RATING (A)	10	10
APPLICABLE WIRE RANGE (AWG)	16~26	16~26
WIRE CROSS SECTION (mm*mm)	1.5~0.2	1.5~0.2
WIRE STRIP LENGTH(mm)	6~7	6~7
TORQUE +/- 10% (N-m/Lb-in)	0.23/2.0	0.23/2.0
SCREW	M2x0.4	M2x0.4
WITHSTANDING VOLTAGE (kV)	1.6	1.6
OPERATING TEMP. (°C)	-40~+115	-40~+115
POLES AVAILABLE	02~24	02~24
SAFETY CERTIFICATE		

NOTES:
 1. MATERIALS
 1-1 HOUSING: THERMALPLASTIC RESIN, UL 94V-0 RATED, COLOR GREEN.
 1-2 SCREW: STEEL, ZINC PLATED.
 1-3 CLAMP: BRASS, NICKEL PLATED.
 1-4 TERMINAL: PHOSPHOROUS BRONZES, TIN PLATED.
 2. PRODUCT SPECIFICATION REFER TO FCI GS-12-625.
 3. BOXED PACKAGING,
 DETAILED PRODUCT PACKING SPECIFICATION REFER TO FCI GS-14-1394.
 4. FCI, SAFETY CERTIFICATE LOGO AND SERIES NAME TO BE SHOWN ON PRODUCT SURFACE.
 5. THE PRODUCTS WHERE THE PART NUMBER END IN "LF" MEET THE EUROPEAN UNION DIRECTIVE AND OTHER COUNTRY REGULATIONS AS DESCRIBED IN GS-22-008.

TOLERANCES UNLESS OTHERWISE SPECIFIED				rev	ecn no	dr	date
LINEAR	X	±0.5	-	A	0609-0203	BF	062509
	XX	±0.30	-	B	T09-1148	BF	111709
	XXX	±0.10	-	C	T09-1152	BF	112609
ANGULAR	X'	±1'	-	D	T10-0042	WL	030310

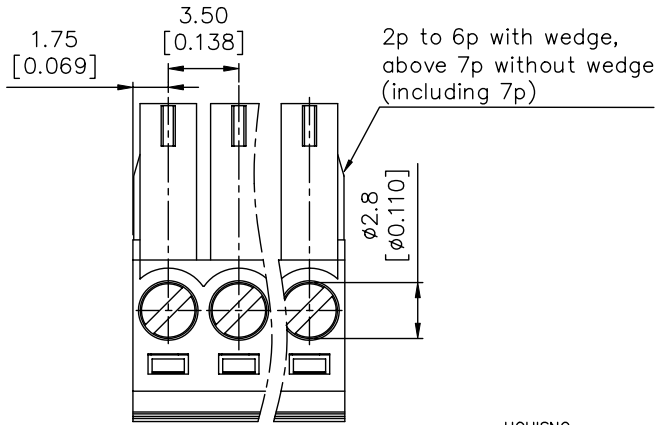
Material	Spec ref *	tolerance	projection	MM
Mat code				
Heattreat			size A4	Scale
Plating/Finish				
Dr BEER FU	062509			
Eng BEER FU	062509	Product family		
Chr GARY HSIEH	062509	Model Name	ECN	T10-0042
Appr JOSEPH HSIA	062509	Model Revision	REL Level	RELEASED
	title	TERMINAL BLOCK	eng no	20020004
Pro/E file	catalog no	PLUGGABLE PLUG, SINGAL, W/O FLANGE		Rev. D
			CUSTOMER	sheet 1 of 3

FCI CONFIDENTIAL



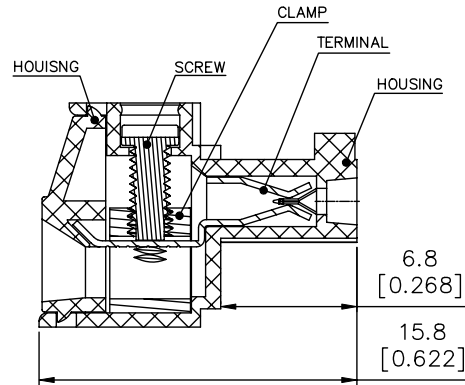
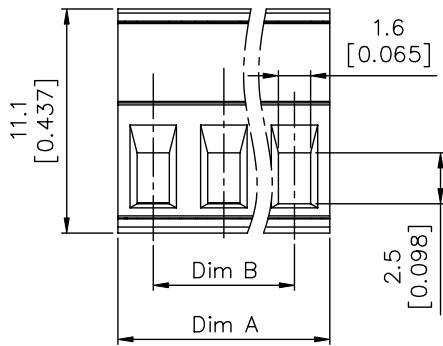
This document is the property of and embodies CONFIDENTIAL and PROPRIETARY information of FCI. No part of the information shown on this document may be used in any way or disclosed to others without the written consent of FCI. Copyright FCI.

PRODUCT NUMBER	SERIES NAME	PITCH
20020004-CXX1B01LF	01-350	3.50 mm



N = Number of poles
 Dim A = $N \times 3.5 [0.138]$
 Dim B = $(N-1) \times 3.5 [0.138]$

TOL.	Dim A	Dim B
2-6p	$\pm 0.15 [0.006]$	
7-12p	$\pm 0.20 [0.008]$	
13-18p	$\pm 0.25 [0.010]$	
19-24p	$\pm 0.30 [0.012]$	

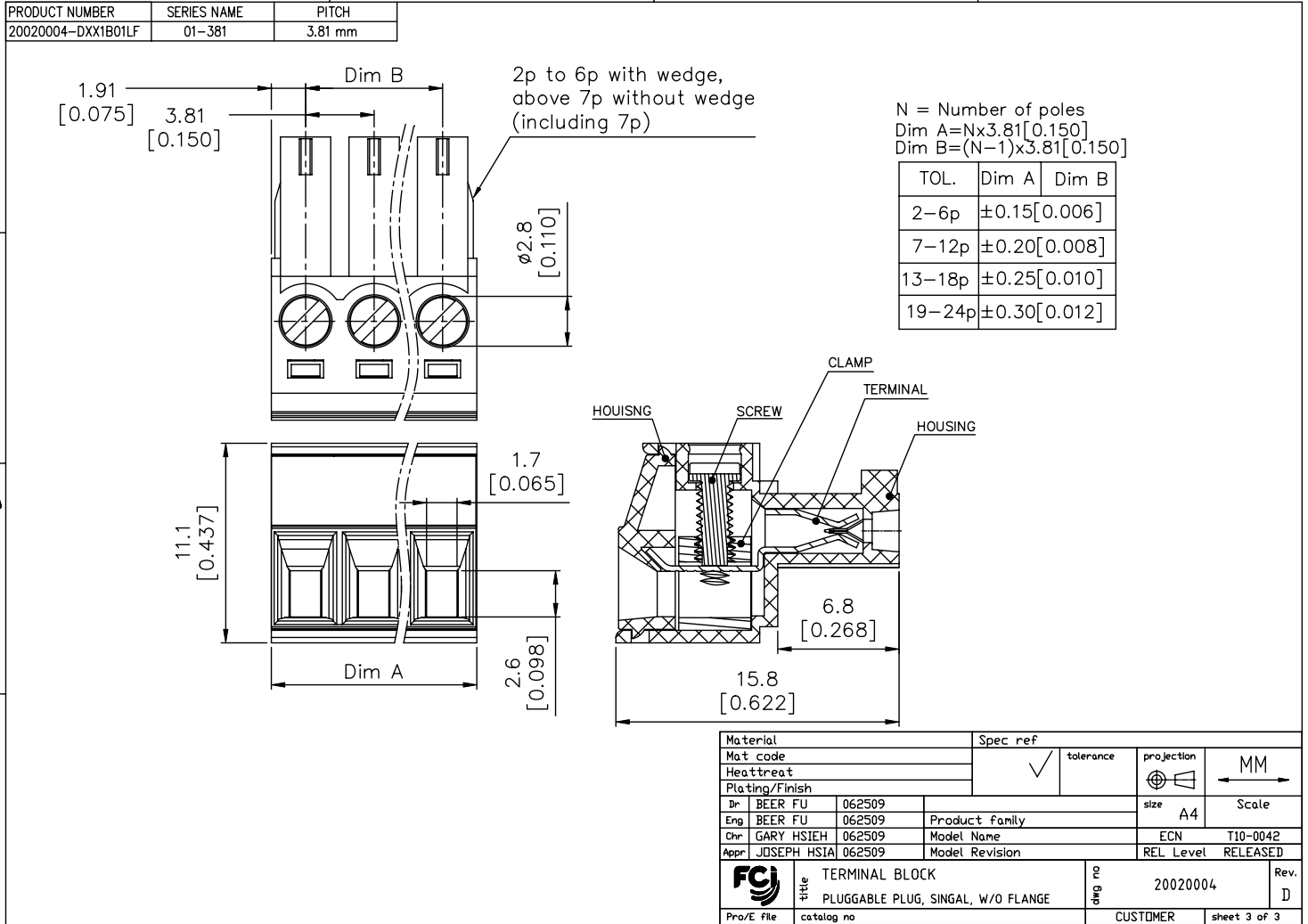


Material			Spec ref	
Mat code			tolerance	projection
Heattreat			<input checked="" type="checkbox"/>	<input type="checkbox"/>
Plating/Finish			<input type="checkbox"/>	MM
Dr	BEER FU	062509	size	A4
Eng	BEER FU	062509	Scale	
Chr	GARY HSIEH	062509	Product family	ECN T10-0042
Appr	JOSEPH HSIA	062509	Model Name	REL Level RELEASED
FCI		title	Model Revision	Rev. D
Pro/E file		catalog no	20020004	sheet 2 of 3
		customer	CUSTOMER	

FCI CONFIDENTIAL



This document is the property of and embodies CONFIDENTIAL and PROPRIETARY information of FCI. No part of the information shown on this document may be used in any way or disclosed to others without the written consent of FCI. Copyright FCI.



Material		Spec ref	
Mat code		tolerance	projection
Heat treat		✓	MM
Plating/Finish			size
Dr BEER FU 062509	Product family		A4
Eng GARY HSIEH 062509	Model Name	ECN	T10-0042
Appr JOSEPH HSIA 062509	Model Revision	REL Level	RELEASED
FCI	title	dwg no	Rev.
	TERMINAL BLOCK	20020004	D
Pro/E file	catalog no	CUSTOMER	sheet 3 of 3
	PLUGGABLE PLUG, SINGAL, W/O FLANGE		