

REMARK:

- CHARACTERISTICS:
 RATED VOLTAGE: 250V
 RATED CURRENT: 5AMP
 CONTACT RESISTANCE: 25mohms MAX. INITIAL; 40mohms MAX. AFTER
 INSULATION RESISTANCE: 5000Mohms MIN. at 500V DC
 DIELECTRIC STRENGTH: 1000Vrms
 OPERATING TEMPERATURE RANGE: -55°C~105°C
 INSERTION/EXTRACTION FORCE PER CONTACT: 5N Max. /0.3N Min.
 MATING/DMATING CYCLES: 50MATING MIN.

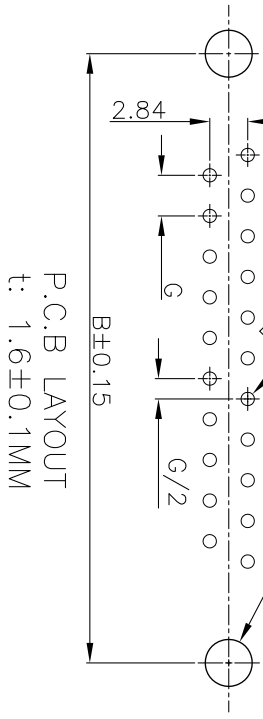
2. MATERIAL:

- INSULATORS: GLASS-FILLED THERMOPLASTIC U99V-0, COLOR IN BLACK.
- CONTACTS: COPPER ALLOY, SELECTIVE GOLD ON CONTACT AREA, 100µ" Min MATTE TIN TOP OVER SOLDER AREA, 30µ" Min NICKEL UNDER PLATE.
- SHELL: STEEL, 100µ" Min NICKEL TOP OVER, 50µ" Min COPPER UNDER PLATE.
- CLINCH NUT: COPPER ALLOY, 100µ" Min MATTE TIN PLATED.

3. PART NUMBER DESCRIPTION: 10090098-S XX X X LP

- SERIES NO. _____
- TYPE _____
- S: SOCKET (FEMALE)
- NUMBER OF CONTACTS _____
- 09: 9-PIN
- 15: 15-PIN
- 25: 25-PIN
- 37: 37-PIN
- LF: ROHS COMPLIANT
- FLANGE MOUNTING OPTION
- X: UNC #4-40 CLINCHNUTS
- L: M3 CLINCHNUTS
- CONTACT FINISH
- 4: GOLD FLASH
- 6: 50µ" PLATING OPTION
- AVAILABLE ON REQUEST

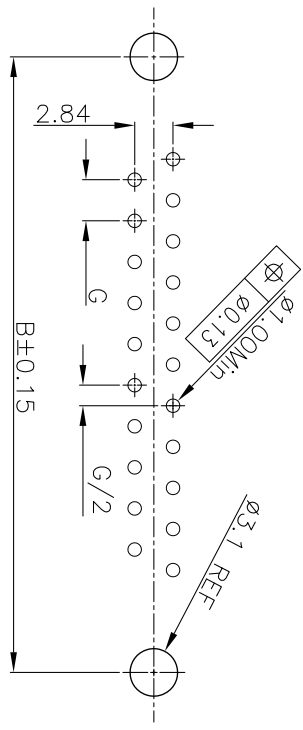
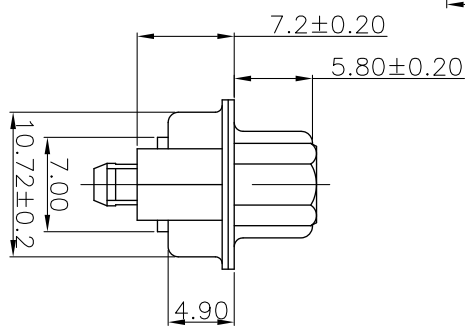
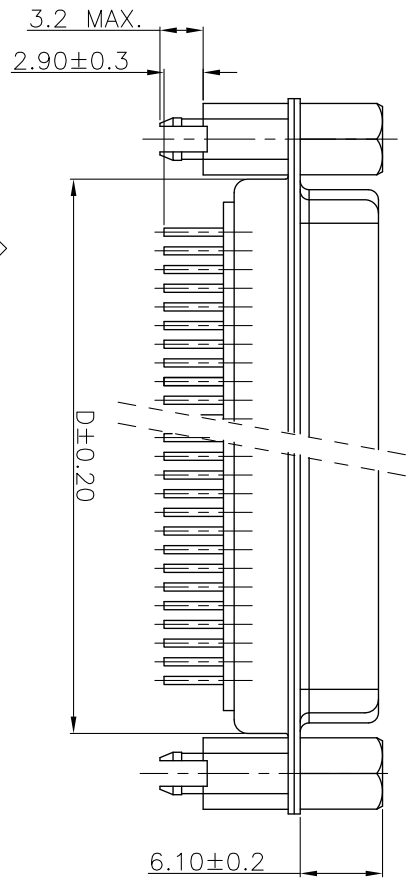
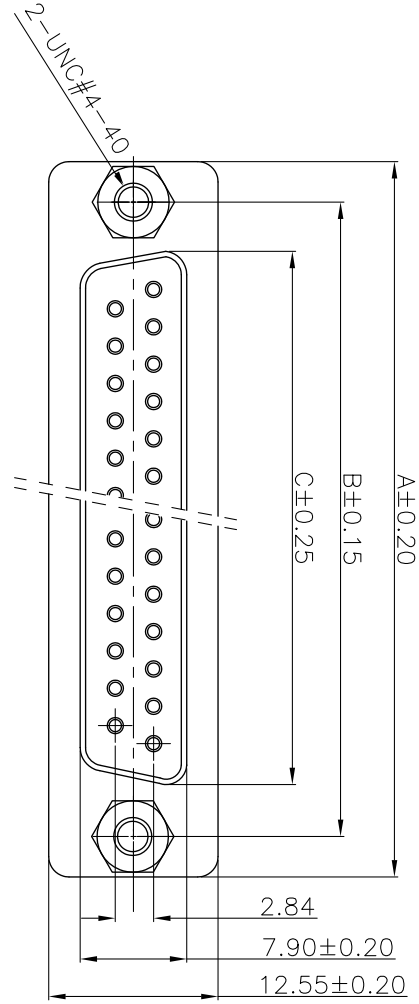
POS.	A	B	C	D	G
09	30.81	24.99	16.33	19.28	2.74
15	39.24	33.32	24.66	27.75	2.74
25	53.04	47.04	38.38	41.30	2.77
37	69.32	63.50	54.84	57.40	2.77



mod'l. code		tolerances unless otherwise specified		CUSTOMER COPY		title		product family		code	
ltr	ecn no	dr	date	linear	angles	projection	MM	size	family	family	TWN
A	T09-1033	JH	3/13/09	.XX ± 0.25	0° ±2°	1:1	MM	A4	D-SUB	D-SUB	1 of 2
B	T09-1044	JH	4/2/09	.XXX ± 0.10							1 of 2
engr		JASON HSU		3/12/09							
chr		GARY HSEH		3/12/09							
oppl		JOSEPH HSA		3/12/09							

ACAD

cage code 22526

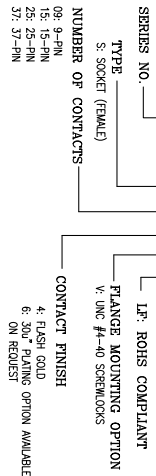


P.C.B LAYOUT
t: 1.6±0.1MM

REMARK:

- CHARACTERISTICS:
RATED VOLTAGE: 250V
RATED CURRENT: 5AMP
CONTACT RESISTANCE: 25mohms MAX INITIAL; 40mohms MAX AFTER.
INSULATION RESISTANCE: 5000Mohms MIN. at 500V DC
DIELECTRIC STRENGTH: 1000V/MS
OPERATING TEMPERATURE RANGE: -55°C~+105°C
INSERTION/EXTRACTION FORCE PER CONTACT: 5N Max./0.3N Min.
MATING/DMATING CYCLES: 50MATTINGS MIN.
- MATERIAL:
INSULATORS: GLASS-FILLED THERMOPLASTIC (UL94-V0), COLOR IN BLACK
CONTACTS: COPPER ALLOY, SELECTIVE GOLD ON CONTACT AREA,
100µ" Min WHITE TIN TOP OVER SOLDER AREA,
300µ" Min NICKEL UNDER PLATE.
SHELL: STEEL, 100µ" Min NICKEL TOP OVER,
50µ" Min COPPER UNDER PLATE.
CLINCH NUT: COPPER ALLOY, 100µ" Min WHITE TIN PLATED,
SCREEN LOCK: COPPER ALLOY, 100µ" Min BRIGHT NICKEL PLATED.

3. PART NUMBER DESCRIPTION: 10090098-S XX X X LP



POS.	PART NO.	A	B	C	D	G
09	10090098-S09*VLF	30.81	24.99	16.33	19.28	2.74
15	10090098-S15*VLF	39.24	33.32	24.66	27.75	2.74
25	10090098-S25*VLF	53.04	47.04	38.38	41.30	2.77
37	10090098-S37*VLF	69.32	63.50	54.84	57.40	2.77

tolerances unless otherwise specified
CUSTOMER COPY
www.fciconnect.com

projection
MM
D-SUB FEMALE STRAIGHT

mod'l. code	ecn no	dr	date	title	product family	code
B	.XX ± 0.25			D-SUB FEMALE STRAIGHT	D-SUB	TWN
	.XXX ± 0.10					sheet
	∠ ±2°					2 of 2
	dr JASON HSU 3/12/09					
	enjr JASON HSU 3/12/09					
	chr GARY HSIEH 3/12/09					
	apprd JOSEPH HSIA 3/12/09					
sheet index	revision sheet					

ACAD

cage code
22526