

FCI CONFIDENTIAL



This document is the property of and embodies CONFIDENTIAL and PROPRIETARY information of FCI. No part of the information shown on this document may be used in any way or disclosed to others without the written consent of FCI. Copyright FCI.

PRODUCT NUMBER  
20020006-XXX1B01LF

20020006 - [ ] [ ] [ ] 1 B 0 1 L F

PITCH  
G: 5.00 mm  
H: 5.08 mm

POLES  
02: 2 POLES  
03: 3 POLES  
04: 4 POLES  
---  
24: 24 POLES

PROPERTY TABLE		
FCI SERIES NAME	01-500	01-508
PITCH (mm)	5.00	5.08
VOLTAGE RATING (VAC)	300	300
CURRENT RATING (A)	12	12
SOLID/STRANDED WIRE (AWG)	12~24	12~24
WIRE CROSS SECTION (mm×mm)	4.0~0.2	4.0~0.2
WIRE STRIP LENGTH(mm)	7-8	7-8
TORQUE (N-m/Lb-in)	0.57/5.0	0.57/5.0
SCREW	M3	M3
WITHSTANDING VOLTAGE (kV)	1.6	1.6
OPERATING TEMP. (°C)	-40~115	-40~115
POLES AVAILABLE	02~24	02~24
SAFETY CERTIFICATE	Pending	

NOTES:  
1. MATERIALS  
1-1 HOUSING: THERMALPLASTIC RESIN, UL 94V-0 RATED, COLOR GREEN.  
1-2 SCREW: STEEL, ZINC PLATED.  
1-3 CLAMP: BRASS, NICKEL PLATED.  
1-4 TERMINAL: PHOSPHOROUS BRONZES, TIN PLATED.  
2. PRODUCT SPECIFICATION REFER TO FCI GS-12-625.  
3. BOX PACKAGING.  
DETAILED PRODUCT PACKING SPECIFICATION REFER TO FCI GS-14-1394.  
4. FCI SAFETY CERTIFICATE LOGO AND SERIES NAME TO BE SHOWN ON PRODUCT SURFACE.

Material		Spec ref *		projection	MM
Mat code		tolerance			
Heattreat					
Plating/Finish				size	Scale
Dr	BEER FU	062509		A4	
Eng	GARY HSIEH	062509	Product family		
Chr	JOSEPH HSIA	062509	Model Name	ECN	T09-1152
Appr		062509	Model Revision	REL Level	RELEASED
FCI logo		title		chg #2	Rev.
Pro/E file		catalog no		20020006	C
		terminal block		CUSTOMER sheet 1 of 3	
		Pluggable plug, contact up side			

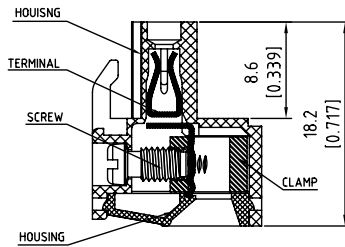
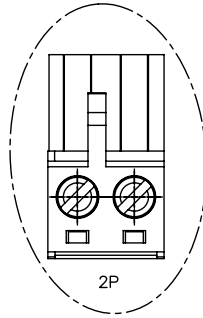
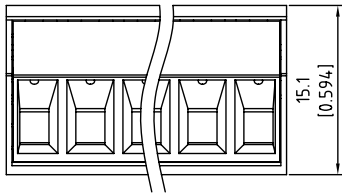
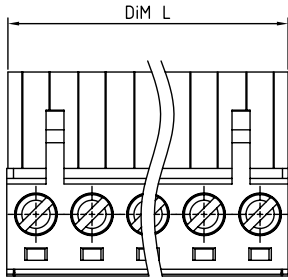
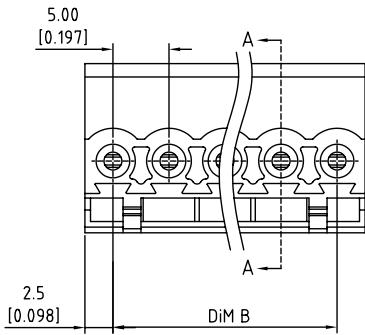
	rev	ecn no	dr	date
TOLERANCES UNLESS OTHERWISE SPECIFIED	A	DG09-0203	BF	062509
	B	T09-1148	BF	111709
	C	T09-1152	BF	112609
LINEAR	X	±0.5	-	-
	XX	±0.30	-	-
	XXX	±0.10	-	-
ANGULAR	X*	±P	-	-

FCI CONFIDENTIAL



This document is the property of and embodies CONFIDENTIAL and PROPRIETARY information of FCI. No part of this information shown on this document may be used in any way or disclosed to others without the written consent of FCI. Copyright: FCI

PRODUCT NUMBER	SERIES NAME	PITCH
20020006-GXX1B01LF	01-500	5.00 mm



SECTION A-A

N = Number of poles  
 Dim A = N x 5.0 [0.197]  
 Dim B = (N - 1) x 5.0 [0.197]

TOL.	Dim A	Dim B
2-5p	±0.15[0.006]	
6-10p	±0.20[0.008]	
11-15p	±0.25[0.010]	
16-20p	±0.30[0.012]	
21-24p	±0.40[0.016]	

Material		Spec ref	
Mat code		tolerance	projection
Heat treat		✓	MM
Plating/Finish		size	Scale
Dr	BEER FU 062509	A4	
Eng	BEER FU 062509	Product family	
Chr	GARY HSIEH 062509	Model Name	ECN T09-1152
Appr	JOSEPH HSIA 062509	Model Revision	REL Level RELEASED
title TERMINAL BLOCK Pluggable plug, contact up side		dwg no 20020006 Rev. C	
Pro/E file	catalog no	CUSTOMER	sheet 2 of 3

PDM: Rev: C

STATUS: Released

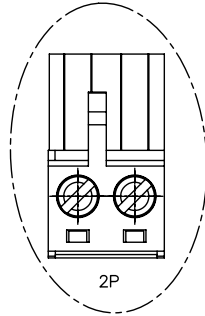
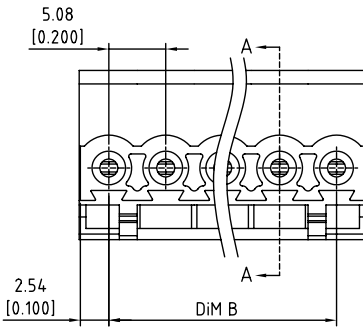
Printed: Feb 23, 2010

FCI CONFIDENTIAL



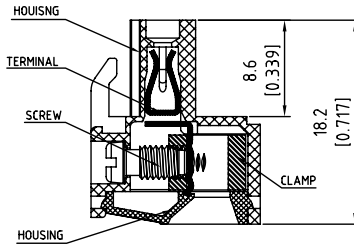
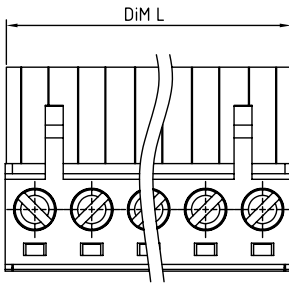
This document is the property of and embodies CONFIDENTIAL and PROPRIETARY information of FCI. No part of the information shown on this document may be used in any way or disclosed to others without the written consent of FCI. Copyright FCI.

PRODUCT NUMBER	SERIES NAME	PITCH
20020006-HXX1B01LF	01-508	5.08 mm

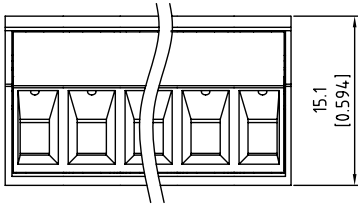


N = Number of poles  
 Dim A = N x 5.08 [0.200]  
 Dim B = (N - 1) x 5.08 [0.200]

TOL.	Dim A	Dim B
	2-5p	±0.15[0.006]
	6-10p	±0.20[0.008]
	11-15p	±0.25[0.010]
	16-20p	±0.30[0.012]
	21-24p	±0.40[0.016]



SECTION A-A



Material		Spec ref	
Mat code		tolerance	projection
Heattreat		✓	MM
Plating/Finish		size	Scale
Dr	BEER FU 062509	A4	
Eng	BEER FU 062509	Product family	
Chr	GARY HSIEH 062509	Model Name	ECN T09-1152
Appr	JOSEPH HSIAI 062509	Model Revision	REL Level RELEASED
title TERMINAL BLOCK Pluggable plug, contact up side		dwg no 20020006 Rev. C	
Pro/E file	catalog no	CUSTOMER	sheet 3 of 3

PDM: Rev: C

STATUS: Released

Printed: Feb 23, 2010