

FCI CONFIDENTIAL


This document is the property of and embodies CONFIDENTIAL and PROPRIETARY information of FCI. No part of the information shown on this document may be used in any way or disclosed to others without the written consent of FCI. Copyright FCI.

PRODUCT NUMBER  
20020004-XXX1B01LF

20020004 - □ □ □ 1 B 0 1 LF

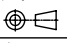

PITCH  
C: 3.50 mm  
D: 3.81 mm

POLES  
02: 2 POLES  
03: 3 POLES  
04: 4 POLES  
---  
24: 24 POLES

PROPERTY TABLE		
FCI SERIES NAME	01-350	01-381
PITCH (mm)	3.50	3.81
VOLTAGE RATING (VAC)	300	300
CURRENT RATING (A)	10	10
SOLID/STRANDED WIRE (AWG)	16~26	16~26
WIRE CROSS SECTION (mm*mm)	1.5~0.2	1.5~0.2
WIRE STRIP LENGTH(mm)	6~7	6~7
TORQUE (N-m/Lb-in)	0.23/2.0	0.23/2.0
SCREW	M2	M2
WITHSTANDING VOLTAGE (kV)	1.6	1.6
OPERATING TEMP. (°C)	-40~115	-40~115
POLES AVAILABLE	02~24	02~24
SAFETY CERTIFICATE		

NOTES:  
1. MATERIALS  
1-1 HOUSING: THERMALPLASTIC RESIN, UL 94V-0 RATED, COLOR GREEN.  
1-2 SCREW: STEEL, ZINC PLATED.  
1-3 CLAMP: BRASS, NICKEL PLATED.  
1-4 TERMINAL: PHOSPHOROUS BRONZES, TIN PLATED.  
2. PRODUCT SPECIFICATION REFER TO FCI GS-12-625.  
3. BOXED PACKAGING,  
DETAILED PRODUCT PACKING SPECIFICATION REFER TO FCI GS-14-1394.  
4. FCI, SAFETY CERTIFICATE LOGO AND SERIES NAME TO BE SHOWN ON PRODUCT SURFACE.

	rev	ecn no	dr	date
TOLERANCES UNLESS OTHERWISE SPECIFIED	A	D609-0203	BF	062509
	B	T09-1148	BF	111709
	C	T09-1152	BF	112609
LINEAR	X	±0.5	-	-
	XX	±0.30	-	-
	XXX	±0.10	-	-
ANGULAR	X	±1°	-	-

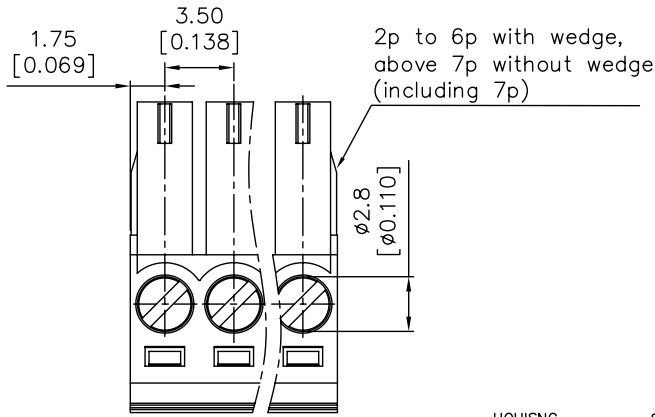
Material	Spec ref *		projection	MM
Mat code	tolerance	✓		
Heattreat			size	A4
Plating/Finish			Scale	
Dr	BEER FU	062509		
Eng	BEER FU	062509	Product family	
Chr	GARY HSIEH	062509	Model Name	
Appr	JOSEPH HSIA	062509	Model Revision	
			ECN	T09-1152
			REL Level	RELEASED
	title		20020004	Rev. C
Pro/E file	catalog no	CUSTOMER		sheet 1 of 3

FCI CONFIDENTIAL



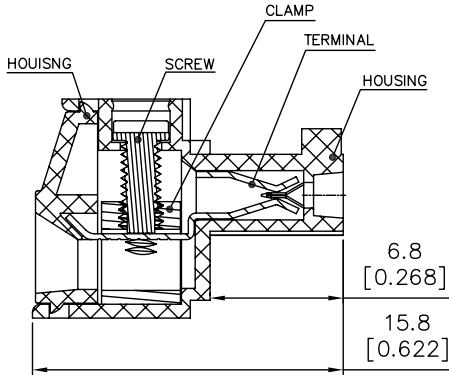
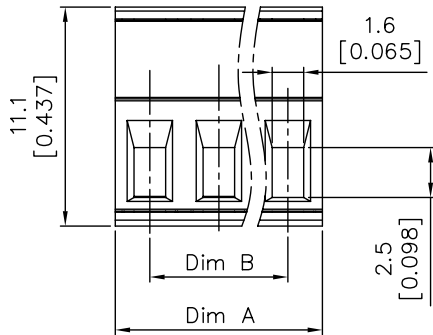
This document is the property of and embodies CONFIDENTIAL and PROPRIETARY information of FCI. No part of the information shown on this document may be used in any way or disclosed to others without the written consent of FCI. Copyright FCI.

PRODUCT NUMBER	SERIES NAME	PITCH
20020004-CXX1B01LF	01-350	3.50 mm



N = Number of poles  
 Dim A =  $N \times 3.5 [0.138]$   
 Dim B =  $(N-1) \times 3.5 [0.138]$

TOL.	Dim A	Dim B
2-6p	$\pm 0.15 [0.006]$	
7-12p	$\pm 0.20 [0.008]$	
13-18p	$\pm 0.25 [0.010]$	
19-24p	$\pm 0.30 [0.012]$	



Material		Spec ref	
Mat code		✓ tolerance	projection  MM
Heattreat			
Plating/Finish		size A4	Scale
Dr	BEER FU 062509		
Eng	BEER FU 062509	Product family	
Chr	GARY HSIEH 062509	Model Name	
Appr	JOSEPH HSIA 062509	Model Revision	
		ECN	T09-1152
		REL Level	RELEASED
	title TERMINAL BLOCK	chg # 20020004	Rev. C
Pro/E file	catalog no	CUSTOMER	sheet 2 of 3

PDM: Rev:C

STATUS: Released

Printed: Feb 23, 2010

FCI CONFIDENTIAL



This document is the property of and embodies CONFIDENTIAL and PROPRIETARY information of FCI. No part of the information shown on this document may be used in any way or disclosed to others without the written consent of FCI. Copyright FCI.

