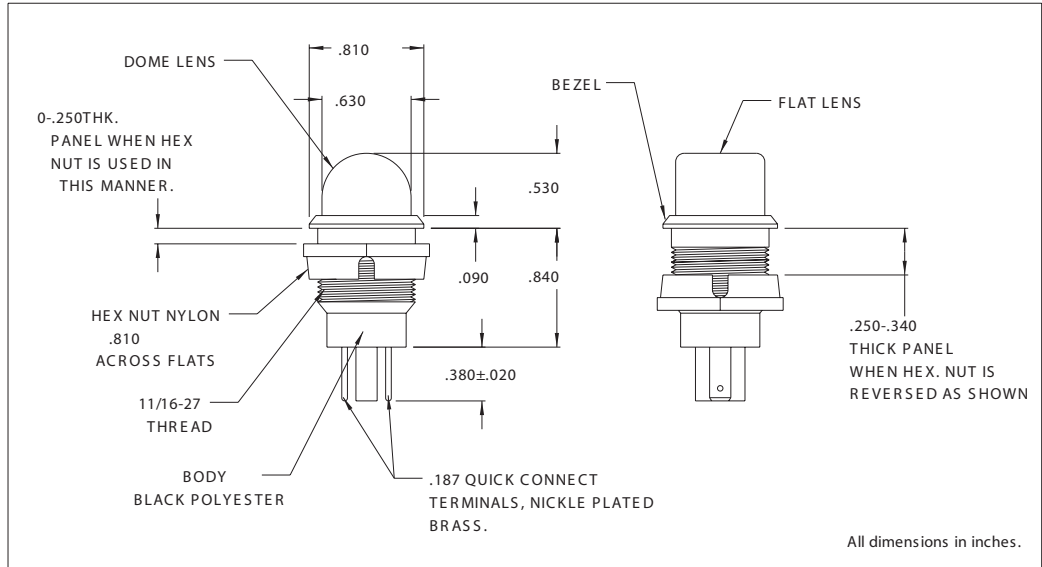


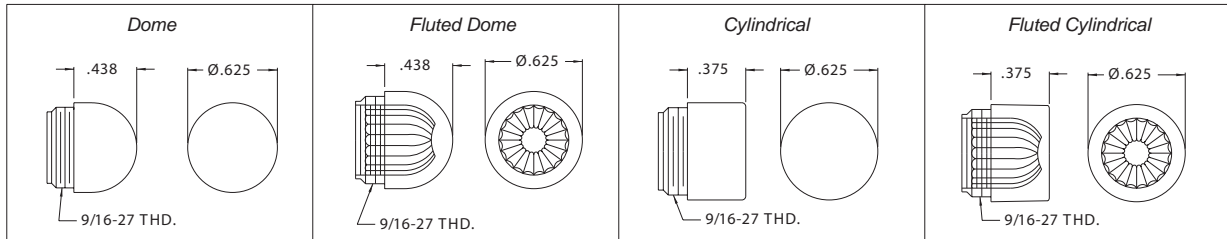


**2803 Series Relampable Incandescent Indicator Light**

**DESCRIPTION AND FEATURES**



**LENS SPECIFICATIONS**



All dimensions in inches.

**Ordering Information:**

For use with T-2 Slide Base (standard) lamps.  
 Complete assembly consists of socket (2803), lamp, and lens (see chart below).  
 Items supplied unassembled.  
 Lamp, lens and socket must be ordered separately.  
 Mounting: Supplied with polyester hex nut.  
 Lens: Polycarbonate-threaded  
 Body: Black polyester  
 Terminals: Nickel plated brass  
 Bezel: Polished stainless steel

Lens Part No:	Description
25P-306*	Transparent dome
25P-307**	Translucent dome
25P-326*	Transparent fluted dome
25P-606*	Transparent cylindrical
25P-607**	Translucent cylindrical
25P-626*	Transparent fluted cylindrical
(*) R=Red, A=Amber, G=Green, C=Clear	
(**) R=Red, Y=Yellow, G=Green, W=White	

Note: For 120 volt applications, CML recommends the use of a slide base neon lamp, rather than an incandescent lamp.

*Chicago Miniature Lamp reserves the right to make specification revisions that enhance the design and/or performance of the product*