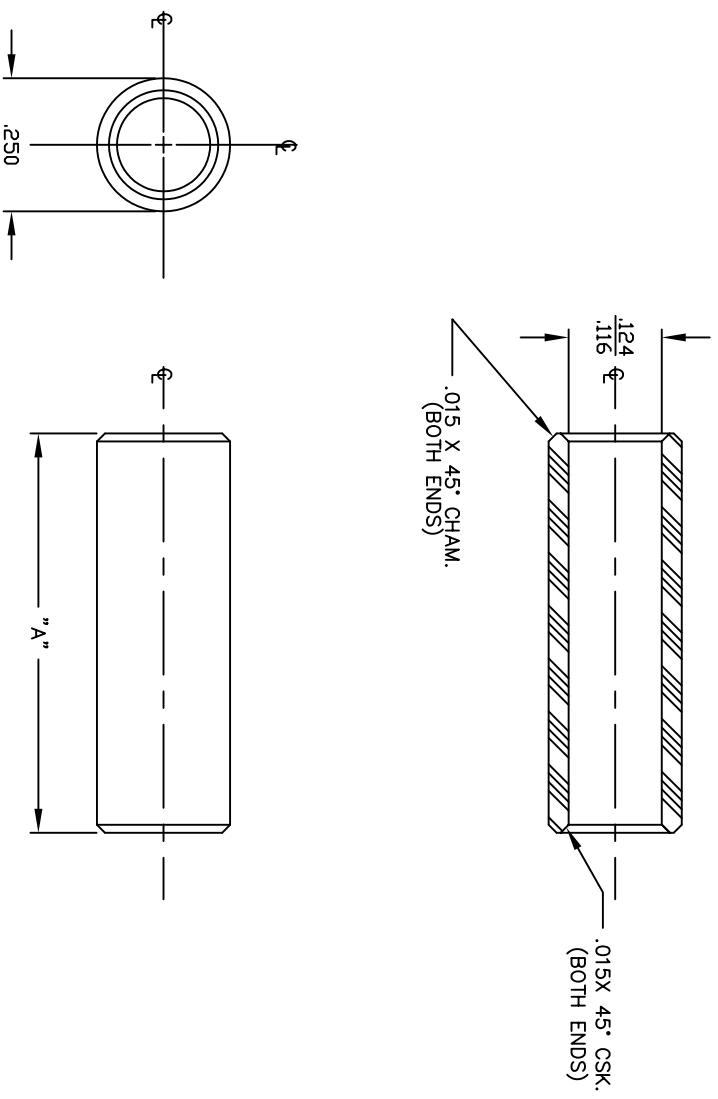


REVISIONS		
SYM	DESCRIPTION	REVISED BY DATE APPR



SPACERS	
PART NO.	DIM "A"
8700	.125
8703	.187
2340	.250
8706	.312
2341	.375
8709	.437
2342	.500
8712	.562
8715	.625
8718	.687
2343	.750
8721	.812
8724	.875
8727	.937
2344	1.000

MATERIAL BRASS 360 1/2 HARD		FINISH NICKEL	
DIMENSIONAL TOLERANCES UNLESS OTHERWISE SPECIFIED			
XX	XXX	XXXX	
FRACTIONS		SCALE	
---	---	NONE	
HEAT TREAT		---	
PLOT SCALE		1=1	
TITLE		BRASS ROUND 1/4" SPACERS #4 CLEARANCE	
DRAWN: T. LORD		DATE 02/10/03	
CHECKED: T. LORD		DATE 02/10/03	
APPROVED: T. LORD		DATE 02/10/03	
SIZE		DRAWING NUMBER	
B		SD: SMP-00415	
A		ISSUE	
<b>ABBATRON</b> Electronic Connectors and Hardware 632 Arch Street, Meadville, Pa. 16335			