

注) NOTES

1. 材質 MATERIAL
 ハウジング: ガラス入り LCP, 白色, UL94V-0
 HOUSING: F.LCP, WHITE, UL94V-0
 ターミナル: 銅合金 (t = 0.2)
 TERMINAL: COPPER ALLOY
 吸着カバー: ステンレス (t = 0.2)
 VACUUM COVER: STAINLESS STEEL
 補強金具: 銅合金 (t = 0.25)
 FITTING NAIL: COPPER ALLOY

2. メッキ仕様 PLATING
 ターミナル: 接点部: 金メッキ 0.25 マイクロメートル以上
 CONTACT AREA: GOLD 0.25 MICROMETER MINIMUM
 半田付け部: 錫メッキ 1.0 マイクロメートル以上
 SOLDER TAIL AREA: TIN 1.0 MICROMETER MINIMUM
 下地メッキ: ニッケルメッキ 1.5 マイクロメートル以上
 UNDER-PLATING: NICKEL 1.5 MICROMETER MINIMUM
 補強金具: 銅メッキ 1.0 マイクロメートル以上
 FITTING NAIL: TIN 1.0 MICROMETER MINIMUM
 下地メッキ: ニッケルメッキ 1.0 マイクロメートル以上
 UNDER-PLATING: NICKEL 1.0 MICROMETER MINIMUM

3. テールの平直度
 TAIL COPLANARITY
 テール平直度は、0.1 MAX. とする。
 TAILS COPLANARITY TO BE 0.1 MAX.

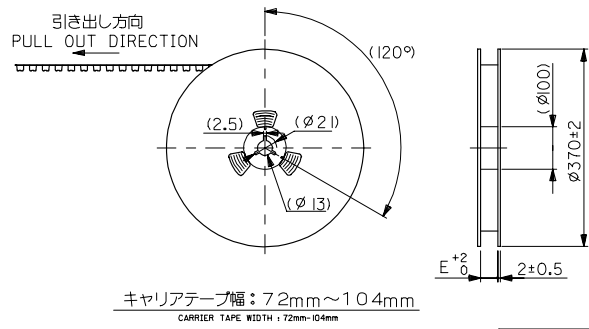
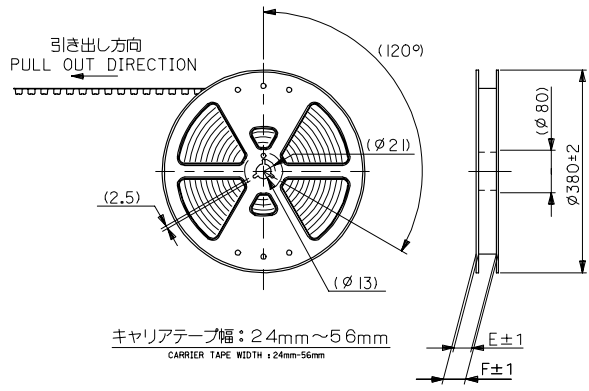
4. エンボス対応洗剤の種類については、SD-52885-004を参照下さい。
 FOR THE EMBOSSED PACKAGE PRODUCTS, SEE SD-52885-004.

5. 本製品は 52885-***2 の鉛フリー品である。
 THIS PRODUCT IS LEAD FREE OF 52885-***2.

無し NO	80.47	78.87	75.565	84.07	52885-2474	52885-2472	240	○
		67.77	66.17	62.865	71.37	↑	↑ -2072	200
	61.42	59.82	56.515	65.02	↑	↑ -1872	180	—
	55.07	53.47	50.165	58.67	52885-1674	-1672	160	○
	48.72	47.12	43.815	52.32	52885-1474	-1472	140	○
	42.37	40.77	37.465	45.97	52885-1274	-1272	120	○
	36.02	34.42	31.115	39.62	52885-1074	-1072	100	○
	32.85	31.25	27.94	36.45	↑ -0974	↑ -0972	90	○
	29.67	28.07	24.765	33.27	-0874	-0872	80	○
	26.5	24.9	21.59	30.1	-0774	-0772	70	○
有り YES	25.86	24.26	20.955	29.46	-6874	-6872	68	—
	23.32	21.72	18.415	26.92	-0674	-0672	60	○
	20.15	18.55	15.24	23.75	-0574	-0572	50	○
	16.97	15.37	12.065	20.57	-0474	-0472	40	○
	13.8	12.2	8.89	17.4	↓ -0374	↓ -0372	30	○
	10.62	9.02	5.715	14.22	52885-0274	52885-0272	20	○

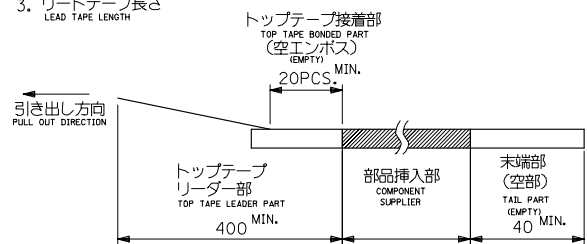
REVISED REV. DESCRIPTION	REV. NO.	J2005-1066	2004/10/08	2004/10/08	2004/10/13	GENERAL TOLERANCES (UNLESS SPECIFIED)	DIMENSION STYLE		SCALE	DESIGN UNITS	THIRD ANGLE PROJECTION
	DRWN: ISASAMOR	CHKDK: TOJO	APPR: NIKMITA	MM ONLY			---	METRIC			
	10 UNDER ±0.2		DRAWN BY DATE		TITLE						
	10 OVER 30 UNDER ±0.25		M. NAGATA 2004/02/25		0.635 PITCH B TO B S/T REC. HSG ASSY -LEAD FREE-						
30 OVER ±0.3		CHECKED BY DATE		K. TOJO 2004/02/25		ANGULAR ±3 °		APPROVED BY DATE		M. SASAO 2004/02/25	
DRAFT WHERE APPLICABLE MUST REMAIN WITHIN DIMENSIONS		MATERIAL NO.		SEE CHART		DOCUMENT NO.		SD-52885-003		SHEET NO. 1 OF 1	

10 9 8 7 6 5 4 3 2 1



注)
NOTES

- 製品番号 52885-***72 の詳細寸法については SD-52885-003 を参照下さい。
IN THE PACKAGE, PART NO. 52885-***72 DETAILED DIMENSIONS, SEE SD-52885-003
- 梱包数量 : 1000個/リール
NUMBER OF CONNECTORS : 1000 PCS/REEL
- リードテープ長さ
LEAD TAPE LENGTH



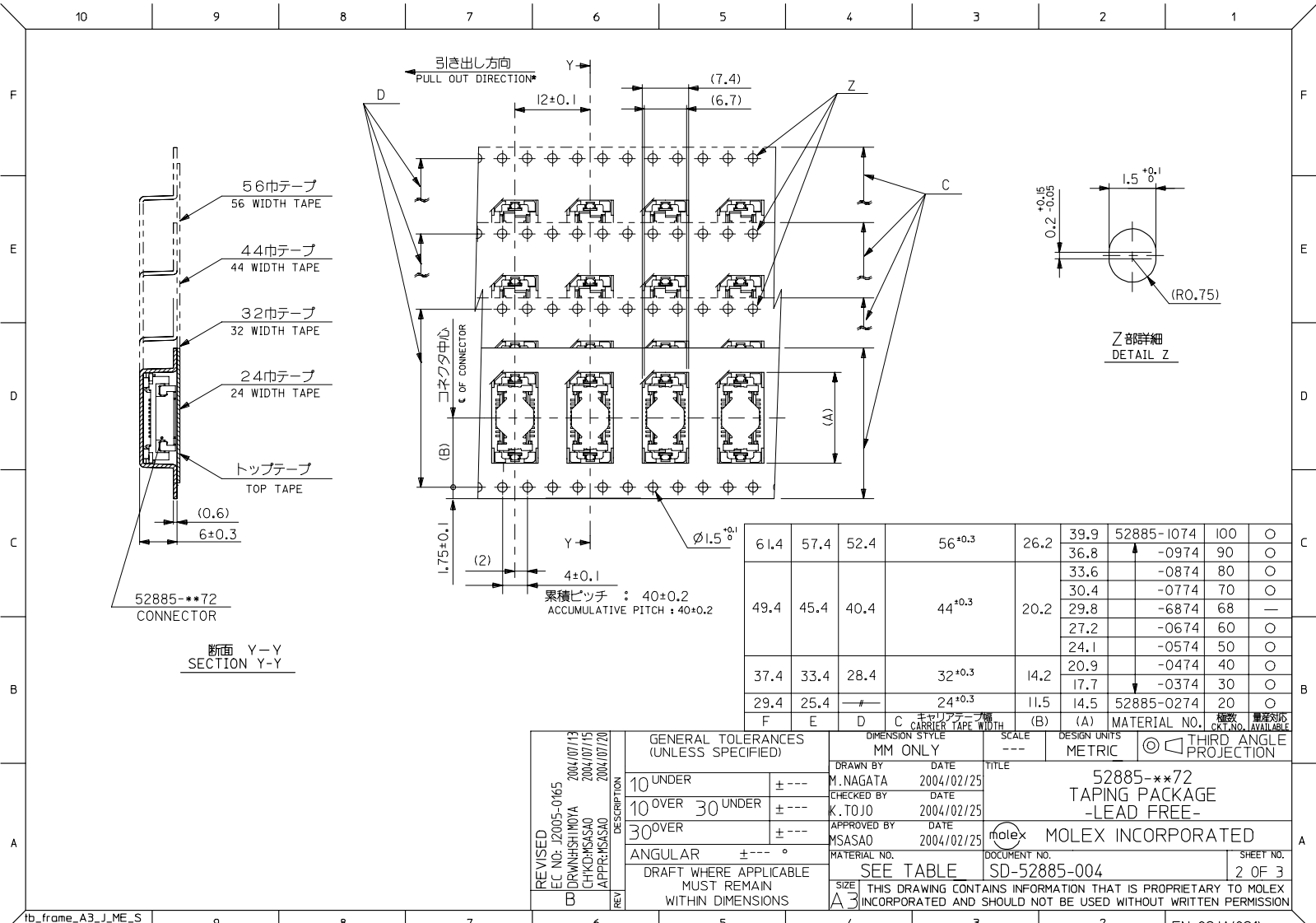
- トップテープの剥離強度 (剥離方向は下図参照)
PEELING OFF FORCE OF TOP TAPE (PEELING DIRECTION AS SHOWN IN FOLLOWING FIG.)
0.1~0.3N {10~130gf}

尚、本規格値は、出荷時に適用。
THIS REQUIREMENT SHOULD BE APPLIED AT SHIPMENT
(但し、輸送時に剥離が発生しない事。)
(PEEL OFF SHOULD NOT BE ALLOWED DURING TRANSPORTATION)

- 材料
MATERIAL
キャリアテープ : ポリプロピレン (PP)
CARRIER TAPE : POLYPROPYLENE (PP)
トップテープ : PET, PE, PEF
TOP TAPE : PET, PE, PEF
リール : キャリアテープ幅 2.4mm~5.6mm : ポリスチレン
REEL : CARRIER TAPE WIDTH 2.4mm~5.6mm : POLYSTYRENE
キャリアテープ幅 7.2mm~10.4mm : 紙
CARRIER TAPE WIDTH 7.2mm~10.4mm : CARD BOARD

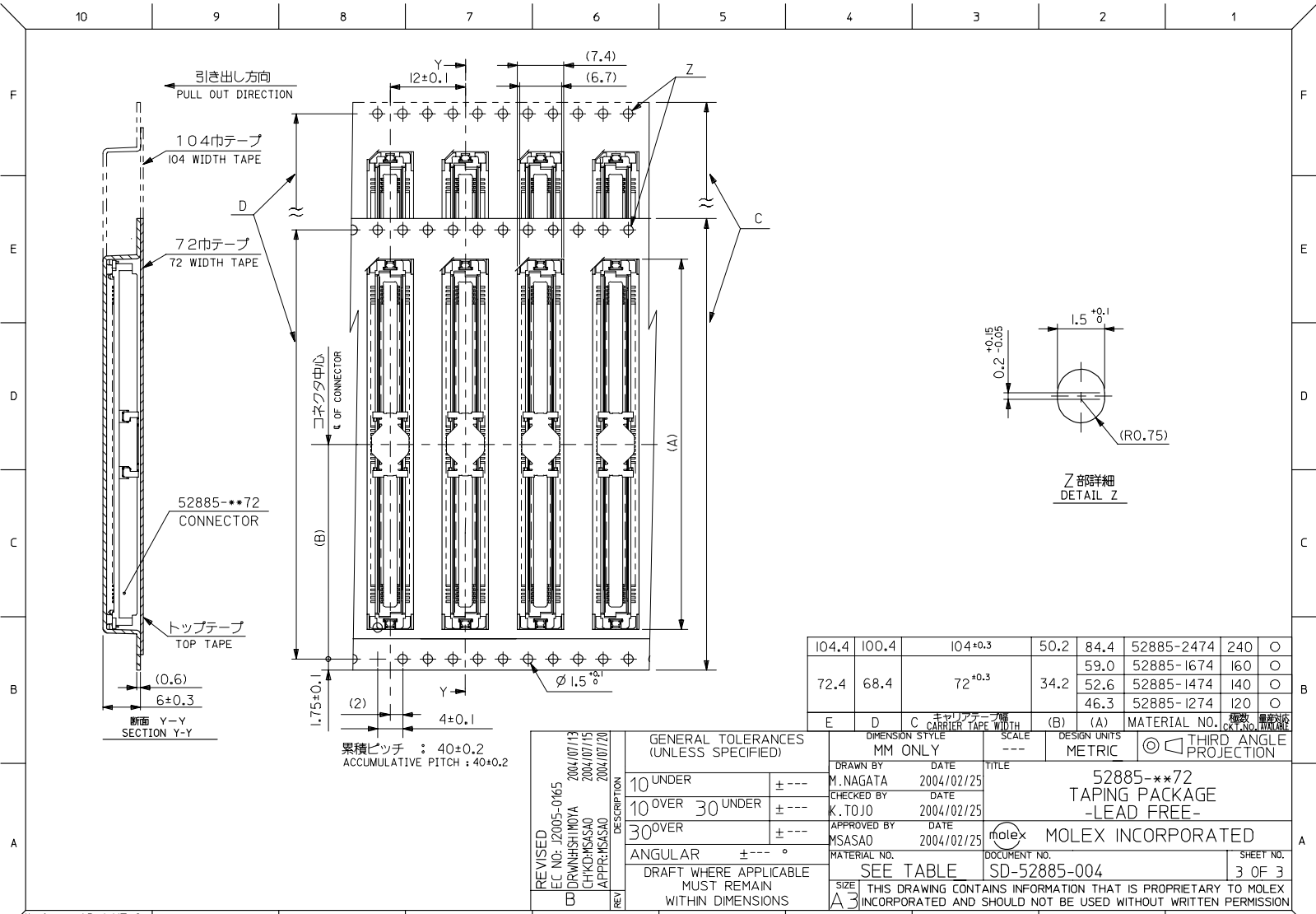
- 本製品は 52885-***4 の鉛フリー品である。
THIS PRODUCT IS LEAD FREE OF 52885-***4.

REVISED REV. B	IEC NO. J2005-0165	2004/07/13	DRW: HSHIMOTA	2004/07/15	CHK: HKSASAO	2004/07/20	APPR: MSASAO	2004/07/20	GENERAL TOLERANCES (UNLESS SPECIFIED)	DIMENSION STYLE MM ONLY	SCALE ---	DESIGN UNITS METRIC	THIRD ANGLE PROJECTION	
	10 UNDER		± ---		DRAWN BY M. NAGATA		DATE 2004/02/25		TITLE 52885-***72 TAPING PACKAGE -LEAD FREE-					
	10 OVER 30 UNDER		± ---		CHECKED BY K. TOJO		DATE 2004/02/25		MATERIAL NO. SEE TABLE					
	30 OVER		± ---		APPROVED BY M. SASAO		DATE 2004/02/25		DOCUMENT NO. SD-52885-004					
DRAFT WHERE APPLICABLE MUST REMAIN WITHIN DIMENSIONS										SIZE A3	THIS DRAWING CONTAINS INFORMATION THAT IS PROPRIETARY TO MOLEX INCORPORATED AND SHOULD NOT BE USED WITHOUT WRITTEN PERMISSION			SHEET NO. 1 OF 3



61.4	57.4	52.4	56 ^{+0.3}	26.2	39.9	52885-1074	100	○
					36.8	-0974	90	○
					33.6	-0874	80	○
					30.4	-0774	70	○
					29.8	-6874	68	—
					27.2	-0674	60	○
					24.1	-0574	50	○
					20.9	-0474	40	○
					17.7	-0374	30	○
49.4	45.4	40.4	44 ^{+0.3}	20.2	24.1	-0574	50	○
					20.9	-0474	40	○
					17.7	-0374	30	○
37.4	33.4	28.4	32 ^{+0.3}	14.2	14.5	52885-0274	20	○
29.4	25.4	—	24 ^{+0.3}	11.5	14.5	52885-0274	20	○
F	E	D	C	B	(A)	MATERIAL NO.	機殼	標準品
							可用	可用

REVISED IEC NO. J2005-0165 DRAWN BY DR.W.HSHIMOMYA 2004/07/13 CHKD BY CHKD.H.SASAO 2004/07/15 APPR BY APPR.H.SASAO 2004/07/20	GENERAL TOLERANCES (UNLESS SPECIFIED)		DIMENSION STYLE MM ONLY		SCALE ---	DESIGN UNITS METRIC	THIRD ANGLE PROJECTION	
	10 UNDER	± ---	DRAWN BY M. NAGATA	DATE 2004/02/25	TITLE 52885-***72 TAPING PACKAGE -LEAD FREE-			
	10 OVER 30 UNDER	± ---	CHECKED BY K. TOJO	DATE 2004/02/25	MATERIAL NO. 52885-0274			
	30 OVER	± ---	APPROVED BY MSASAO	DATE 2004/02/25	DOCUMENT NO. SD-52885-004			
	ANGULAR ± --- °	DRAFT WHERE APPLICABLE MUST REMAIN WITHIN DIMENSIONS		SEE TABLE		SHEET NO. 2 OF 3		
SIZE A3				THIS DRAWING CONTAINS INFORMATION THAT IS PROPRIETARY TO MOLEX INCORPORATED AND SHOULD NOT BE USED WITHOUT WRITTEN PERMISSION				



REVISED REV B	IEC NO. J2005-0165	2004/07/13	DRW:HSASAO	2004/07/15	CHKD:HSASAO	2004/07/20	APPR:MSASAO	2004/07/20
	GENERAL TOLERANCES (UNLESS SPECIFIED)				DIMENSION STYLE MM ONLY		SCALE ---	DESIGN UNITS METRIC
	10 UNDER	± ---	DRAWN BY M. NAGATA		DATE 2004/02/25		TITLE 52885-***72 TAPING PACKAGE -LEAD FREE-	
	10 OVER 30 UNDER	± ---	CHECKED BY K. TOJO		DATE 2004/02/25		MATERIAL NO. 52885-***72	
30 OVER	± ---	APPROVED BY MSASAO		DATE 2004/02/25		MOLEX INCORPORATED		
ANGULAR ± --- °				MATERIAL NO.		DOCUMENT NO.		SHEET NO.
DRAFT WHERE APPLICABLE MUST REMAIN WITHIN DIMENSIONS				SEE TABLE		SD-52885-004		3 OF 3
				THIS DRAWING CONTAINS INFORMATION THAT IS PROPRIETARY TO MOLEX INCORPORATED AND SHOULD NOT BE USED WITHOUT WRITTEN PERMISSION				