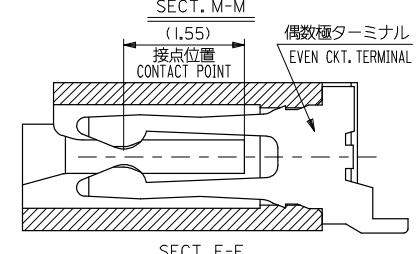
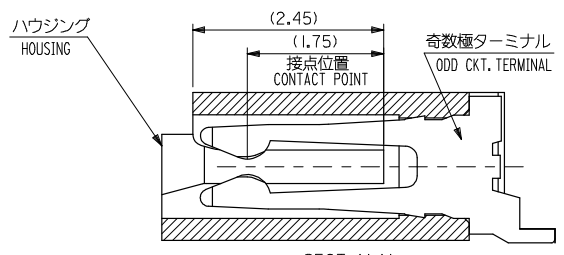
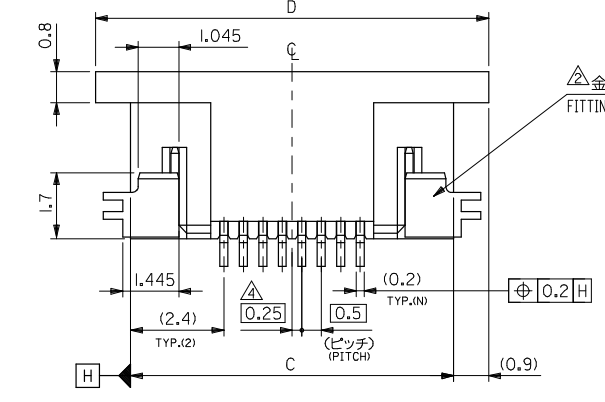
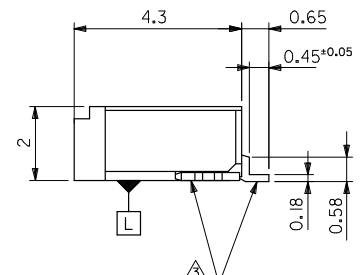
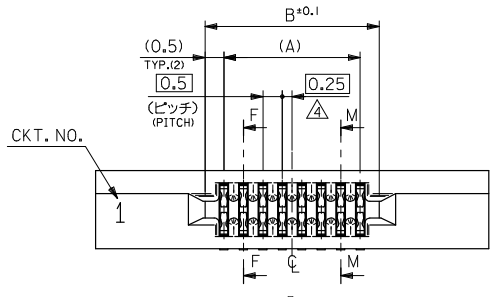
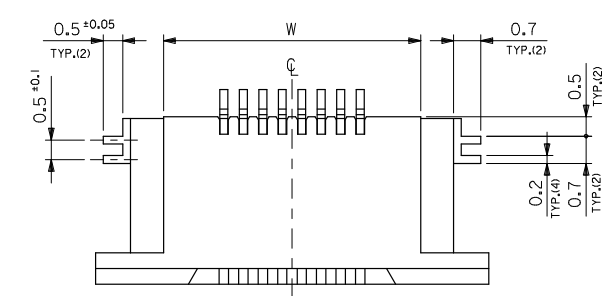


10 9 8 7 6 5 4 3 2 1

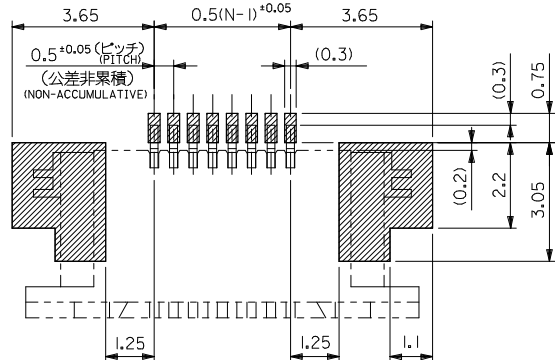


- 注記(NOTES)
1. 使用材料 (MATERIAL)  
 ターミナル (TERMINAL): リン青銅 PHOSPHOR BRONZE ±0.2  
 鍍ビスマスメッキ 1. 0マイクromートル以上 TIN-BISMUTH 1.0 MICROMETER MINIMUM  
 ニッケル下地 1. 0マイクromートル以上 NICKEL UNDER PLATING 1.0 MICROMETER MINIMUM  
 ハウジング (HOUSING): 46ナイロン (46NYLON), UL94V-0  
 金具 (FITTING NAIL): リン青銅 PHOSPHOR BRONZE ±0.2  
 鍍メッキ 1. 0マイクromートル以上 TIN 1.0 MICROMETER MINIMUM  
 ニッケル下地 1. 0マイクromートル以上 NICKEL UNDER PLATING 1.0 MICROMETER MINIMUM  
 △ パターン剥離止め用金具 (FITTING NAIL FOR PREVENTION OF PEELING OFF PCB PATTERN)  
 ソルダータール半田付け面のスレ量、及び金具半田付け面のスレ量は、基準面 L に対し上方向 0.1MAX、下方向 0.15MAX とする。  
 △ MISALIGNMENT OF SOLDER TAILS AND FITTING NAILS FROM L  
 UPPER DIRECTION 0.1MAX, LOWER DIRECTION 0.15MAX.  
 偶数極に適用。(TO BE APPLIED ONLY WHEN ALL CKTS. ARE EVEN.)  
 5. 本製品は 52689-\*\*\*40 の鉛フリー品である。  
 THIS PRODUCT IS LEAD FREE 52689-\*\*\*40.

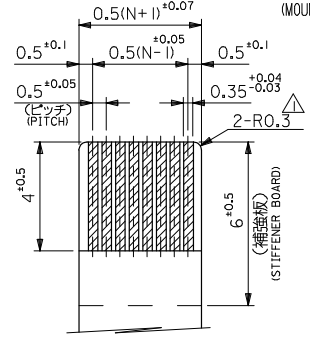
MODEL NO. 52689-\*\*\*49

REVISED EC NO: J2008-4308 DRAWN BY: DRWN:MABEL 2008/06/27 CHECKED BY: CHYK:THARYAMA 2008/06/30 APPROVED BY: APPR:NIKIITA 2008/06/30 DESCRIPTION 0.5 FPC CONN NON ZIF HSG ASSY FOR SMT(R/A) -LEAD FREE- MATERIAL NO. SEE SHEET 2 DOCUMENT NO. SD-52689-034 SHEET NO. 1 OF 2	GENERAL TOLERANCES (UNLESS SPECIFIED) 10 UNDER ±0.2 10 OVER 30 UNDER ±0.25 30 OVER ±0.3 ANGULAR ±3 ° DRAFT WHERE APPLICABLE MUST REMAIN WITHIN DIMENSIONS		DIMENSION STYLE MM ONLY DRAWN BY: H. KAWABATA DATE: '04/02/03 CHECKED BY: K. TOJO DATE: '04/02/03 APPROVED BY: M. SASAO DATE: '04/02/03		SCALE --- DESIGN UNITS METRIC THIRD ANGLE PROJECTION
	TITLE 0.5 FPC CONN NON ZIF HSG ASSY FOR SMT(R/A) -LEAD FREE-				
	MOLEX INCORPORATED				
	THIS DRAWING CONTAINS INFORMATION THAT IS PROPRIETARY TO MOLEX INCORPORATED AND SHOULD NOT BE USED WITHOUT WRITTEN PERMISSION				

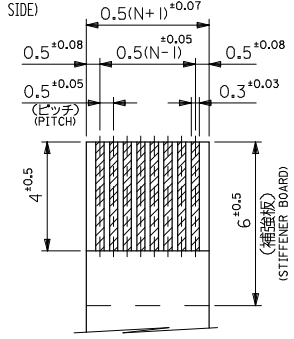
10 9 8 7 6 5 4 3 2 1



参考基板レイアウト  
(マウント面)  
REFERENCE P.C. BOARD  
PATTERN DIMENSION  
(MOUNTING SIDE)



適合FPC推奨寸法  
APPLICABLE FPC  
RECOMMENDED DIMENSION  
(仕上がり厚さ: 0.3±0.03)  
(THICKNESS: 0.3±0.03)



適合FFC推奨寸法  
APPLICABLE FFC  
RECOMMENDED DIMENSION  
(仕上がり厚さ: 0.3±0.03)  
(THICKNESS: 0.3±0.03)

FPCについて:  
打抜き方向は導体側から補強板側を推奨致します。  
補強フィルム材質はポリイミドを推奨致します。  
接着剤は熱硬化接着剤を推奨致します。  
ABOUT FPC:  
RECOMMENDED PUNCHER DIRECTION : FORM CONDUCTOR SIDE TO STIFFENER BOARD SIDE.  
RECOMMENDED MATERIAL :  
STIFFENER FILM : POLYIMIDE  
BONDING AGENT : THERMOSETTING BONDING AGENT

注記 NOTES

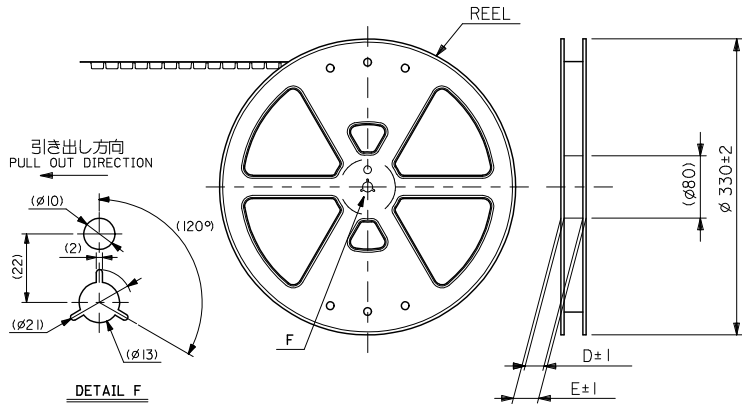
△ R0.3は、FPCの導体部にカからないこと。  
R0.3 MUST NOT BE OVERLAPPED TO PATTERN OF FPC.

17.6	21.1	19.3	15.5	14.5	52689-3087	52689-3049	30
17.1	20.6	18.8	15.0	14.0	-2987	-2949	29
16.6	20.1	18.3	14.5	13.5	-2887	-2849	28
16.1	19.6	17.8	14.0	13.0	-2787	-2749	27
15.6	19.1	17.3	13.5	12.5	-2687	-2649	26
15.1	18.6	16.8	13.0	12.0	-2587	-2549	25
14.6	18.1	16.3	12.5	11.5	-2487	-2449	24
14.1	17.6	15.8	12.0	11.0	-2387	-2349	23
13.6	17.1	15.3	11.5	10.5	-2287	-2249	22
13.1	16.6	14.8	11.0	10.0	-2187	-2149	21
12.6	16.1	14.3	10.5	9.5	-2087	-2049	20
12.1	15.6	13.8	10.0	9.0	-1987	-1949	19
11.6	15.1	13.3	9.5	8.5	-1887	-1849	18
11.1	14.6	12.8	9.0	8.0	-1787	-1749	17
10.6	14.1	12.3	8.5	7.5	-1687	-1649	16
10.1	13.6	11.8	8.0	7.0	-1587	-1549	15
9.6	13.1	11.3	7.5	6.5	-1487	-1449	14
9.1	12.6	10.8	7.0	6.0	-1387	-1349	13
8.6	12.1	10.3	6.5	5.5	-1287	-1249	12
8.1	11.6	9.8	6.0	5.0	-1187	-1149	11
7.6	11.1	9.3	5.5	4.5	-1087	-1049	10
7.1	10.6	8.8	5.0	4.0	-0987	-0949	9
6.6	10.1	8.3	4.5	3.5	-0887	-0849	8
6.1	9.6	7.8	4.0	3.0	-0787	-0749	7
5.6	9.1	7.3	3.5	2.5	-0687	-0649	6
5.1	8.6	6.8	3.0	2.0	52689-0587	52689-0549	5

52689-***49	W	D	C	B	A	EMBOSSED TAPE	MATERIAL NO.	種数 CKT.
MODEL NO.						ORDER No. オダー番号		

REVISED EC NO: J2008-4308 DRAWN: MABEL CHKD: THARYAMA APPR: NIKITA 2008/06/27 2008/06/30 2008/06/30	GENERAL TOLERANCES (UNLESS SPECIFIED)		DIMENSION STYLE MM ONLY		SCALE ---	DESIGN UNITS METRIC	THIRD ANGLE PROJECTION
	10 UNDER	±0.2	DRAWN BY H. KAWABATA	DATE '04/02/03	TITLE 0.5 FPC CONN NON ZIF HSG ASSY FOR SMT(R/A) -LEAD FREE-		
	10 OVER 30 UNDER	±0.25	CHECKED BY K. TOJO	DATE '04/02/03	MOLEX INCORPORATED		
	30 OVER	±0.3	APPROVED BY M. SASAO	DATE '04/02/03	DOCUMENT NO. SD-52689-034		
	ANGULAR	±3 °	MATERIAL NO. SEE TABLE		SHEET NO. 2 OF 2		
	DRAFT WHERE APPLICABLE MUST REMAIN WITHIN DIMENSIONS		THIS DRAWING CONTAINS INFORMATION THAT IS PROPRIETARY TO MOLEX INCORPORATED AND SHOULD NOT BE USED WITHOUT WRITTEN PERMISSION				

10 9 8 7 6 5 4 3 2 1



DETAIL F

5. 材料 キャリアテープ: ポリプロピレン (PP)  
 トップテープ: PET, PE, PEF  
 リール: ポリスチレン (PS) <リサイクル材を含む>

MATERIAL CARRIER TAPE: POLYPROPYLENE  
 TOP TAPE: PET, PE, PEF  
 REEL: POLYSTYRENE (PS)  
 <RECYCLE MATERIAL CONTAINED>

6. 本製品は52689-\*\*-93の鉛フリー品である。  
 THIS PRODUCT IS LEAD FREE OF 52689-\*\*\*93.

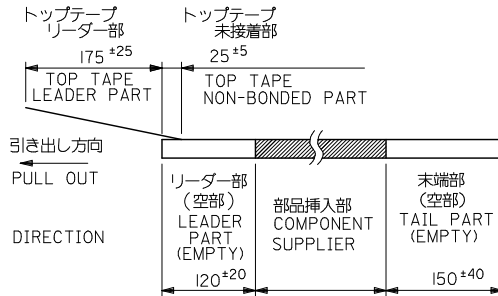
7. FPCについて:  
 打抜き方向は導体側から補強板側を推奨致します。  
 補強フォルム材質はポリイミドを推奨致します。  
 接着剤は熱硬化接着剤を推奨致します。

ABOUT FPC:  
 RECOMMENDED PUNCHER DIRECTION:  
 FORM CONDUCTOR SIDE TO STIFFENER BOARD SIDE.  
 RECOMMENDED MATERIAL:  
 STIFFENER FILM: POLYIMIDE  
 BONDING AGENT: THERMOSETTING BONDING AGENT

8. 本製品は乾燥剤入り、ハイバリア梱包仕様である。  
 THIS PRODUCT IS HIGH BARRIER PACKAGE WITH DESICCANT.

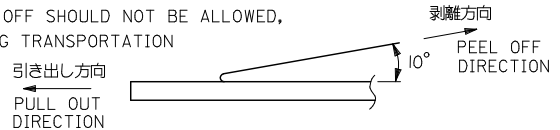
注記 NOTES

- 製品詳細寸法については図面 SD-52689-034 を参照下さい。  
 RE DETAILED DIMENSION, SEE SD-52689-034.
- 梱包数量: 1000個/リール  
 NUMBER OF CONNECTORS: 1000PCS/REEL
- リードテープ長さ LEAD TAPE LENGTH



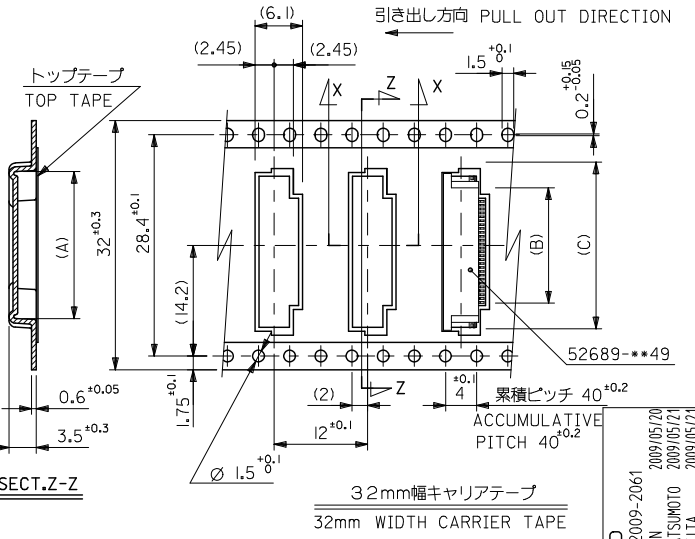
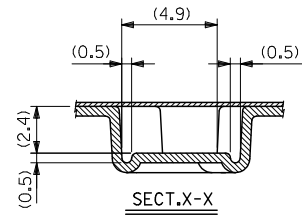
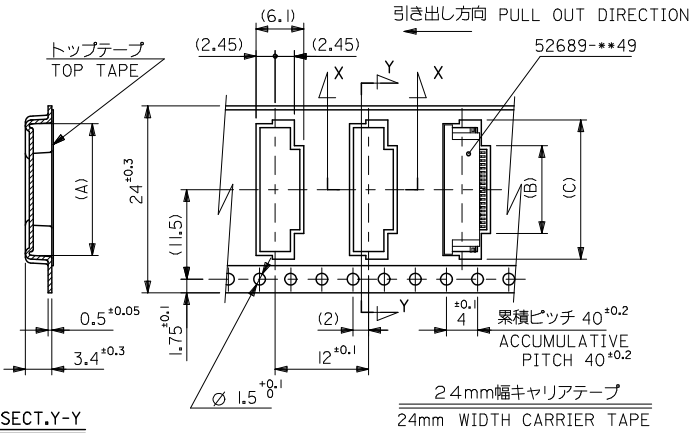
4. トップテープの剥離強度: (剥離方向は下図参照)  
 0.1~1.3N {10~130gf}  
 尚、本規格値は、出荷時に適用。(但し、輸送時に剥離が発生しない事。)

PEELING OFF FORCE OF TOP TAPE  
 0.1~1.3N {10~130gf} (PEELING DIRECTION AS SHOWN IN FOLLOWING FIG.)  
 THIS REQUIREMENT SHOULD BE APPLIED AT SHIPMENT  
 PEEL OFF SHOULD NOT BE ALLOWED,  
 DURING TRANSPORTATION



REVISED EC NO: J2009-2061 DRAWN BY H. KAWABATA 2009/05/20 CHECKED BY K. TOJO 2009/05/21 APPROVED BY M. SASAO 2009/05/21	DESCRIPTION GENERAL TOLERANCES (UNLESS SPECIFIED)	10 UNDER	±0.2	DRAWN BY H. KAWABATA	DATE 2004/02/03	TITLE 0.5 FPC CONN NON ZIF HSG ASSY SMT RA EMBSTP PKG -LEAD FREE-	SCALE ---	DESIGN UNITS METRIC	THIRD ANGLE PROJECTION
		10 OVER 30 UNDER	±0.25	CHECKED BY K. TOJO	DATE 2004/02/03	MOLEX INCORPORATED	DOCUMENT NO. SD-52689-035	SHEET NO. 1 OF 3	
		30 OVER	±0.3	APPROVED BY M. SASAO	DATE 2004/02/03				
		ANGULAR	±3	MATERIAL NO. SEE SHEET 2,3	THIS DRAWING CONTAINS INFORMATION THAT IS PROPRIETARY TO MOLEX INCORPORATED AND SHOULD NOT BE USED WITHOUT WRITTEN PERMISSION				

10 9 8 7 6 5 4 3 2 1

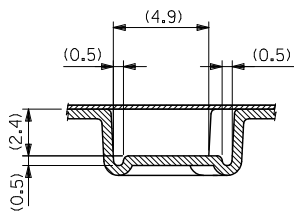
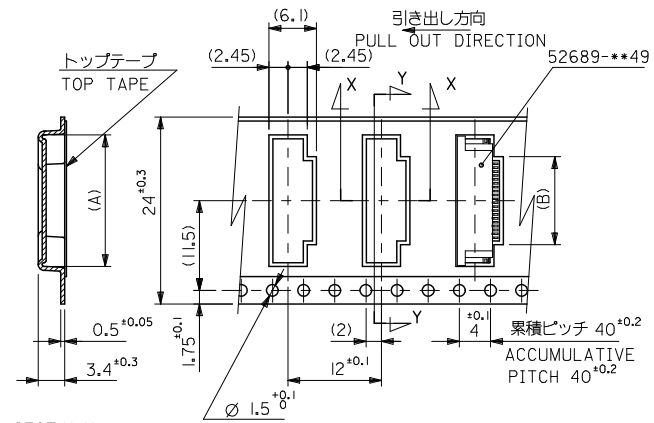


32	37.4	33.4	22.4	15.8	21.4	52689-3087	30
			21.9	15.3	20.9	-2987	29
			21.4	14.8	20.4	-2887	28
			20.9	14.3	19.9	-2787	27
			20.4	13.8	19.4	-2687	26
			19.9	13.3	18.9	-2587	25
			19.4	12.8	18.4	-2487	24
			18.9	12.3	17.9	-2387	23
24	29.4	25.4	17.9	11.3	16.9	-2187	21
			17.4	10.8	16.4	-2087	20
			16.9	10.3	15.9	-1987	19
			16.4	9.8	15.4	-1887	18
			15.4	8.8	14.4	-1687	16
			14.9	8.3	13.9	-1587	15
			14.4	7.8	13.4	-1487	14
			13.9	7.3	12.9	-1387	13
			13.4	6.8	12.4	-1287	12
			12.9	6.3	11.9	-1187	11
			12.4	5.8	11.4	-1087	10
			11.9	5.3	10.9	-0987	9
			11.4	4.8	10.4	-0887	8
			10.9	4.3	9.9	-0787	7
			10.4	3.8	9.4	-0687	6
			9.9	3.3	8.9	52689-0587	5

52689-\*\*\*87 MODEL NO. キャリアテープ幅 CARRIER TAPE WIDTH E D (C) (B) (A) MATERIAL NO. 図面コード DRAWING CODE

REVISED EC NO: J2009-2061 DRAWN BY: CHYKOHMATSUOTO APPROVED BY: APPRINKITA	DESCRIPTION 2009/05/20 2009/05/21 2009/05/21	GENERAL TOLERANCES (UNLESS SPECIFIED)		DIMENSION STYLE MM ONLY		SCALE ---	DESIGN UNITS METRIC	THIRD ANGLE PROJECTION	
		10 UNDER	±0.2	DRAWN BY	DATE				TITLE 0.5 FPC CONN NON ZIF HSG ASSY SMT RA EMBSTP PKG -LEAD FREE-
		10 OVER 30 UNDER	±0.25	H. KAWABATA	2004/02/03				
		30 OVER	±0.3	CHECKED BY	DATE				
ANGULAR	±3	K. TOJO	2004/02/03						
DRAFT WHERE APPLICABLE MUST REMAIN WITHIN DIMENSIONS		APPROVED BY		DATE		MOLEX INCORPORATED			
A		M. SASAO		2004/02/03		DOCUMENT NO. SD-52689-035 SHEET NO. 2 OF 3			
		SIZE		THIS DRAWING CONTAINS INFORMATION THAT IS PROPRIETARY TO MOLEX INCORPORATED AND SHOULD NOT BE USED WITHOUT WRITTEN PERMISSION					

10 9 8 7 6 5 4 3 2 1



SECT.Y-Y  
24mm幅キャリアテープ  
24mm WIDTH CARRIER TAPE

52689-**87	24	29.4	25.4	11.8	17.4	52689-2287	22
MODEL NO.	キャリアテープ幅 CARRIER TAPE WIDTH	E	D	(B)	(A)	MATERIAL NO.	極数 CIRCUIT

REVISED ELC NO: J2009-2061 DRAWN BY: CHYKHMATSUMOTO CHECKED BY: APPR: NIKITA DATE: 2009/05/21 DATE: 2009/05/21	GENERAL TOLERANCES (UNLESS SPECIFIED)		DIMENSION STYLE MM ONLY		SCALE ---	DESIGN UNITS METRIC	THIRD ANGLE PROJECTION
	10 UNDER	±0.2	DRAWN BY H. KAWABATA	DATE 2004/02/03	TITLE 0.5 FPC CONN NON ZIF HSG ASSY SMT RA EMBSTP PKG -LEAD FREE-		
	10 OVER 30 UNDER	±0.25	CHECKED BY K. TOJO	DATE 2004/02/03	MOLEX INCORPORATED		
	30 OVER	±0.3	APPROVED BY M. SASAO	DATE 2004/02/03	DOCUMENT NO. SD-52689-035	SHEET NO. 3 OF 3	
ANGULAR ±3°		DRAFT WHERE APPLICABLE MUST REMAIN WITHIN DIMENSIONS		MATERIAL NO. SEE TABLE			
SIZE A3				THIS DRAWING CONTAINS INFORMATION THAT IS PROPRIETARY TO MOLEX INCORPORATED AND SHOULD NOT BE USED WITHOUT WRITTEN PERMISSION			