

|   |  |                             |  |                              |   |                        |                           |
|---|--|-----------------------------|--|------------------------------|---|------------------------|---------------------------|
| REVISED<br>EC NO: J2007-3336<br>DRAWN: YAMADA01 2007/06/06<br>CHKD: KTOYODA 2007/06/08<br>APPR: NUKITA 2007/06/08 | GENERAL TOLERANCES<br>(UNLESS SPECIFIED) |                             | DIMENSION STYLE<br>MM ONLY   |                              | SCALE<br>---  | DESIGN UNITS<br>METRIC | THIRD ANGLE<br>PROJECTION |
|   | 10 UNDER                                 | ±0.2                        | DRAWN BY<br>M.NINOMIYA   | DATE<br>2004/03/10           | TITLE<br>0.8 B/B CONN.WAFER ASS'Y<br>R/A SMT(WITHOUT BOSS)<br>-LEAD FREE- |                        |                           |
|   | 10 OVER 30 UNDER                         | ±0.25                       | CHECKED BY<br>K.TOJO   | DATE<br>2004/03/10           |   |                        |                           |
|   | 30 OVER                                  | ±0.3                        | APPROVED BY<br>M.SASAO   | DATE<br>2004/03/10           | MOLEX INCORPORATED  |                        |                           |
| ANGULAR   | ±3 °                                     | MATERIAL NO.<br>SEE SHEET 1 |  | DOCUMENT NO.<br>SD-53309-011 |   |                        |                           |
| DRAFT WHERE APPLICABLE<br>MUST REMAIN<br>WITHIN DIMENSIONS  |  | SIZE<br>A3                  | THIS DRAWING CONTAINS INFORMATION THAT IS PROPRIETARY TO MOLEX<br>INCORPORATED AND SHOULD NOT BE USED WITHOUT WRITTEN PERMISSION |                              |   |                        |                           |



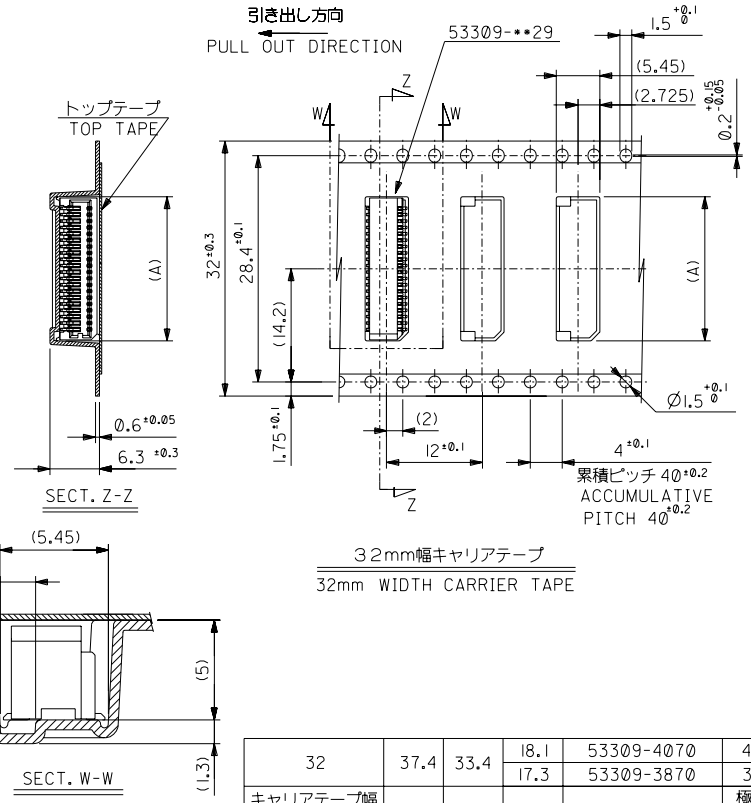
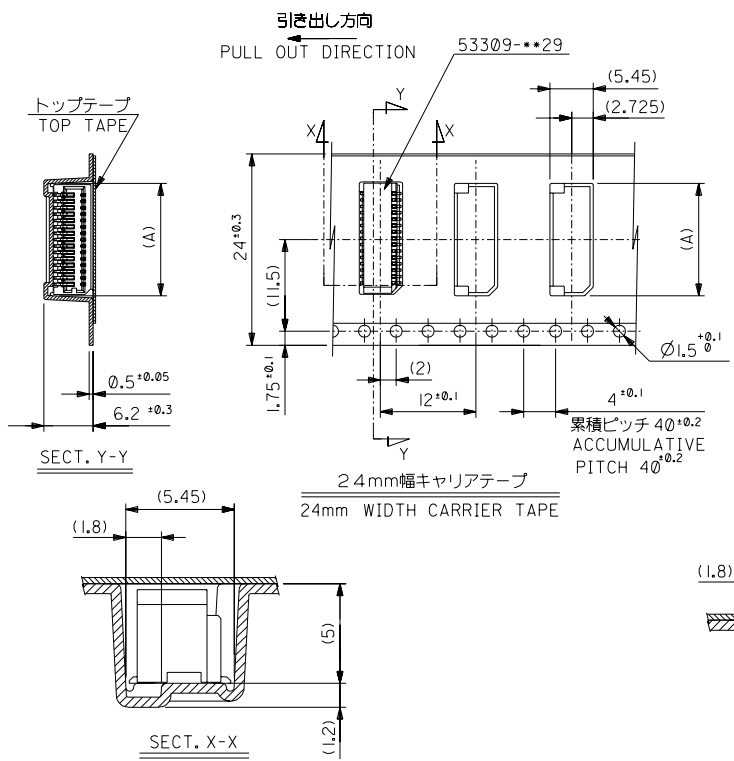
DWG. NO. SD-53309-012

F

D

DIMENSIONS IN METRIC DO NOT SCALE DRAWING

A



|                                |            |    |     |              |               |    |
|--------------------------------|------------|----|-----|--------------|---------------|----|
| 24                             | C          | B  | (A) | 16.5         | 53309-3670    | 36 |
|                                |            |    |     | 15.7         | 53309-3470    | 34 |
|                                |            |    |     | 14.9         | 53309-3270    | 32 |
|                                |            |    |     | 14.1         | 53309-3070    | 30 |
|                                |            |    |     | 13.3         | 53309-2870    | 28 |
|                                |            |    |     | 12.5         | 53309-2670    | 26 |
|                                |            |    |     | 11.7         | 53309-2470    | 24 |
|                                |            |    |     | 10.9         | 53309-2270    | 22 |
| 10.1                           | 53309-2070 | 20 |     |              |               |    |
| キャリアテープ幅<br>CARRIER TAPE WIDTH | C          | B  | (A) | MATERIAL NO. | 極数<br>CIRCUIT |    |

|                                |                  |          |          |              |               |  |
|--------------------------------|------------------|----------|----------|--------------|---------------|--|
| 32                             | 37.4             | 33.4     | 18.1     | 53309-4070   | 40            |  |
| キャリアテープ幅<br>CARRIER TAPE WIDTH | C                | B        | (A)      | MATERIAL NO. | 極数<br>CIRCUIT |  |
| 53309-**70                     |                  |          |          |              |               |  |
| MODEL NO.                      |                  |          |          |              |               |  |
| 角度 ANGLE                       | ±3°              |          |          |              |               |  |
| 30以上 OVER                      | ±0.3             |          |          |              |               |  |
| 10以下 UNDER                     | ±0.25            |          |          |              |               |  |
| 10未過 UNDER                     | ±0.2             |          |          |              |               |  |
| 一般公差 GENERAL TOLERANCES        |                  |          |          |              |               |  |
| 記号 LTR                         | 新規作成 (2004-2995) | DR. DATE | 04/03/10 | 承認内容         | DR. DATE      |  |
| REVISION RECORD                |                  |          |          |              |               |  |

|                      |  |                                       |  |   |  |
|----------------------|--|---------------------------------------|--|---|--|
| 材料 MATERIAL          |  | SHEET 1 OF 2 参照 REFER TO SHEET 1 OF 2 |  | MOLLEX MOLEX-JAPAN CO.,LTD. 日本モレックス株式会社 |  |
| 仕上げ FINISH           |  | ---                                   |  | REVISE ONLY ON CAD SYSTEM               |  |
| 適用電線範囲 WIRE RANGE    |  | ---                                   |  | TITLE 名称 0.8 BtB Wafer Assy             |  |
| 被覆外径 INS. RANGE      |  | ---                                   |  | RA SMT Without Boss                     |  |
|                      |  |                                       |  | Embstp Pkg                              |  |
|                      |  |                                       |  | -LEAD FREE-                             |  |
| DRAWN BY: 04/03/10   |  | CHK'D BY: 04/03/10                    |  | DWG. NO. (SHEET 2 OF 2) REV             |  |
| M. MINOMIYA          |  | K. TOJO                               |  | SD-53309-012                            |  |
| APPRO'D BY: 04/03/10 |  | 尺 度 SCALE                             |  | 0                                       |  |
| M. SASAO             |  | ---                                   |  |   |  |

THIS DRAWING CONTAINS INFORMATION THAT IS PROPRIETARY TO MOLEX/JAPAN AND SHOULD NOT BE USED WITHOUT WRITTEN PERMISSION  
 本図面は日本モレックス(株)の所有する情報を含むもので、当社の許可なく複製を禁止する。 EN-01C(032)MXJ-32