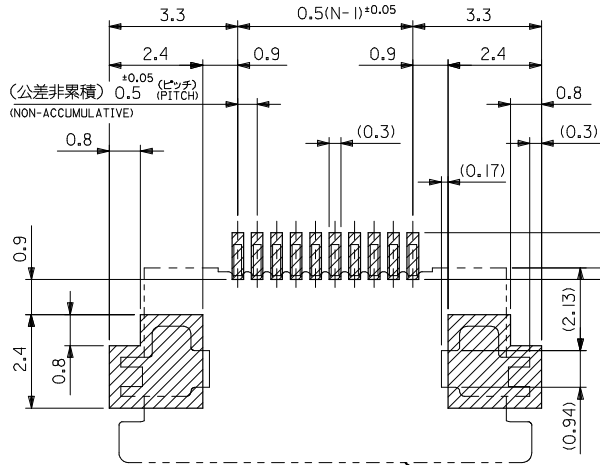
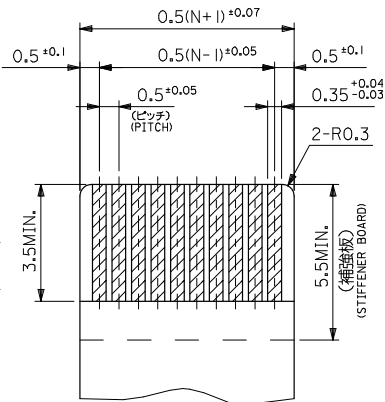


REVISED		GENERAL TOLERANCES (UNLESS SPECIFIED)		DIMENSION STYLE		SCALE		54104-xx29		MODEL NO.	
EC NO:	J2008-4308	2008/06/27	10 UNDER	±0.2	MM ONLY	---	---	DESIGN UNITS	METRIC	THIRD ANGLE PROJECTION	
DRAWN BY	MNABEI	2008/06/30	10 OVER 30 UNDER	±0.25				TITLE	0.5 FPC CONN. ZIF SMT R/A UPPER CONTACT -LEAD FREE-		
CHECKED BY	KTOJO		30 OVER	±0.3				APPROVED BY	MOLEX INCORPORATED		
APPROVED BY	NUKITA		ANGULAR	±3 °				DATE	SD-54104-077		
DESCRIPTION	DRAFT WHERE APPLICABLE MUST REMAIN WITHIN DIMENSIONS							DATE	1 OF 2		
REV	MATERIAL NO. SEE SHEET 2 OF 2							DATE	INCORPORATED AND SHOULD NOT BE USED WITHOUT WRITTEN PERMISSION		
	DOCUMENT NO.								EN-02JA(021)		

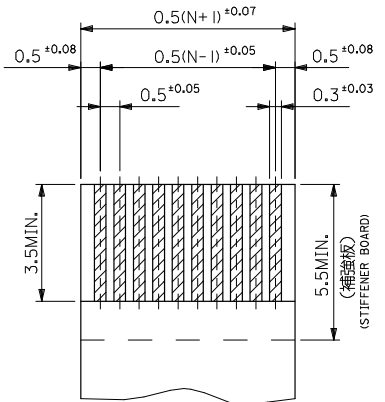
10 9 8 7 6 5 4 3 2 1



参考基板レイアウト  
RECOMMENDED P.C.B. BOARD  
PATTERN DIMENSION (REF.)  
(マウント面)  
CONNECTOR POSITION



適合FPC推奨寸法  
APPLICABLE FPC  
RECOMMENDED DIMENSION  
(仕上がり厚さ: 0.3±0.03)  
(THICKNESS: 0.3±0.03)



適合FFC推奨寸法  
APPLICABLE FFC  
RECOMMENDED DIMENSION  
(仕上がり厚さ: 0.3±0.03)  
(THICKNESS: 0.3±0.03)

金メッキFPC/FCCについて: 打抜き方向は導体側から補強板側を推奨いたします。  
RECOMMENDED PUNCHER DIRECTION: FROM CONDUCTOR SIDE TO STIFFENER BOARD SIDE.

注記 NOTES

- I. 使用材料 MATERIAL
- ハウジング : 46ナイロン, UL94V-0  
HOUSING : 46NYLON
  - アクチュエータ : PPA, UL94V-0  
ACTUATOR
  - ターミナル : リン青銅 (t=0.2)  
TERMINAL : ニッケル下地: 10μm MIN.  
金メッキ: 0.1μm MIN.
  - 金具 : リン青銅, 鍍メッキ (t=0.2)  
FITTING NAIL : PHOS-BRO, TIN-PLATED

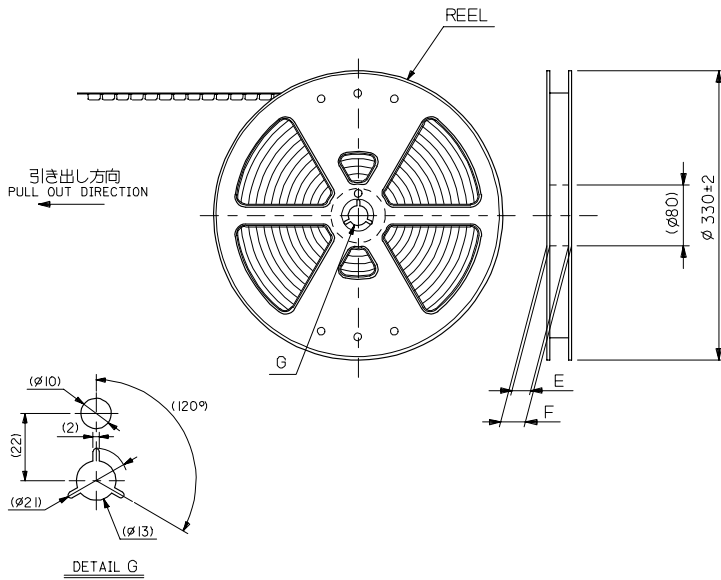
2. エンボステープ梱包時は、アクチュエータがロックした状態とする。  
IN THE PACKAGE, ACTUATOR OF PART NO.54104-\*\*\*29 SHOULD BE LOCKED.
- △ ソルダータール半田付け面のズレ量、及び金具半田付け面のズレ量は、基準面H  
に対し上方向 0.1 MAX. 下方向 0.15 MAX.とし、  
平坦度は0.1 MAX.とする。  
MISALIGNMENT OF SOLDER TAILS AND FITTING NAILS FROM H  
UPPER DIRECTION: 0.1 MAX., LOWER DIRECTION: 0.15 MAX.  
COPLANARITY 0.1 MAX.
- △ 偶数極に適用。  
APPLY FOR EVEN CIRCUIT.
- △ パターンはくり止め用金具  
FITTING NAIL FOR PREVENTION  
OF PEELING  
OF P.C.B. PATTERN.
6. 本製品は 54104-\*\*\*39 のターミナル  
部分金メッキ品である。

30.5	29.3	25.65	24.5	54104-5031	54104-5029	50
28.5	27.3	23.65	22.5	54104-4631	54104-4629	46
28.0	26.8	23.15	22.0	54104-4531	54104-4529	45
27.5	26.3	22.65	21.5	54104-4431	54104-4429	44
27.0	25.8	22.15	21.0	54104-4331	54104-4329	43
25.5	24.3	20.65	19.5	54104-4031	54104-4029	40
24.5	23.3	19.65	18.5	54104-3831	54104-3829	38
23.5	22.3	18.65	17.5	54104-3631	54104-3629	36
23.0	21.8	18.15	17.0	54104-3531	54104-3529	35
22.5	21.3	17.65	16.5	54104-3431	54104-3429	34
22.0	20.8	17.15	16.0	54104-3331	54104-3329	33
21.5	20.3	16.65	15.5	54104-3231	54104-3229	32
20.5	19.3	15.65	14.5	54104-3031	54104-3029	30

EMBOSSED TAPE MATERIAL NO. CKT.  
ORDER No. オーダー番号

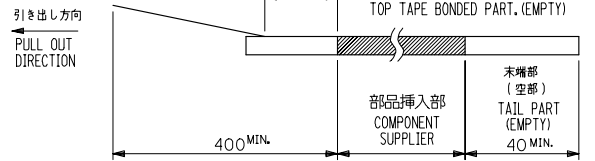
REVISED EC NO: J2008-4308 DRAWN BY: MNABE CHECKED BY: KYOJ APPROVED BY: NUKITA	DESCRIPTION 2008/06/27 2008/06/30 2008/06/30	GENERAL TOLERANCES (UNLESS SPECIFIED)		DIMENSION STYLE MM ONLY		SCALE ---	DESIGN UNITS METRIC	THIRD ANGLE PROJECTION	
		10 UNDER	±0.2	DRAWN BY MNABE	DATE '04/07/09	TITLE 0.5 FPC CONN. ZIF SMT R/A UPPER CONTACT -LEAD FREE-			
		10 OVER 30 UNDER	±0.25	CHECKED BY KYOJ	DATE '04/07/09	MOLEX INCORPORATED			
		30 OVER	±0.3	APPROVED BY NUKITA	DATE '04/07/09	DOCUMENT NO. SD-54104-077			
ANGULAR ±3°		DRAFT WHERE APPLICABLE MUST REMAIN WITHIN DIMENSIONS		MATERIAL NO. SEE TABLE		SHEET NO. 2 OF 2			

10 9 8 7 6 5 4 3 2 1



NOTES

1. 梱包数量 : 1500個/リール  
NUMBER OF CONNECTORS : 1500PCS/REEL
2. リードテープ長さ LEAD TAPE LENGTH  
20PCS. MIN. トップテープ接着部 (空エンボス)  
TOP TAPE BONDED PART. (EMPTY)

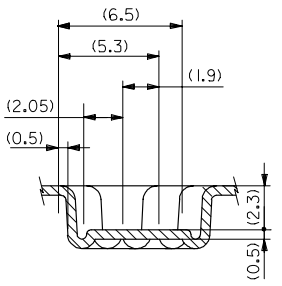
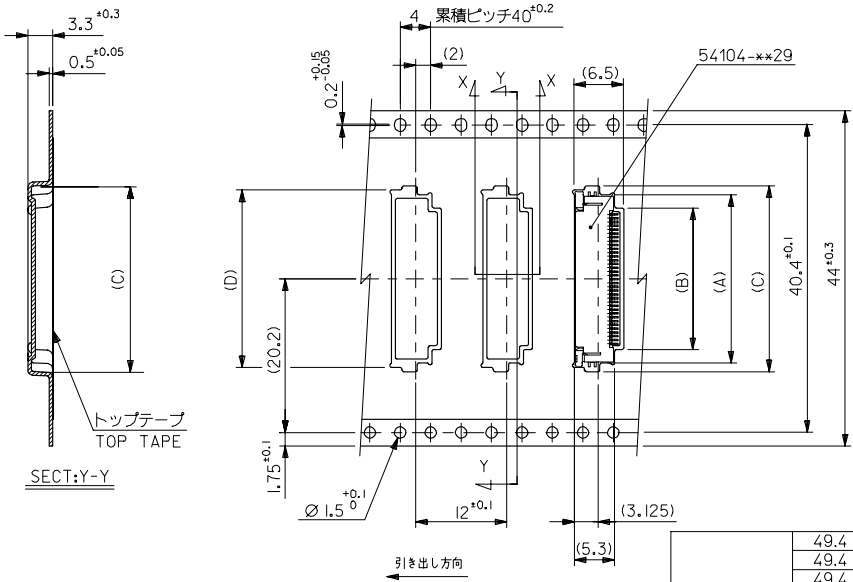


3. 材料 (MATERIAL)  
キャリアテープ (CARRIER TAPE) : ポリプロピレン (POLYPROPYLENE)  
トップテープ (TOP TAPE) : PET, PE, PEF  
リール (REEL) : ポリスチレン (POLYSTYRENE)
4. 本製品は 54104-\*\*-\*\*96 のターミナル部分全メッキ品である。

REVISED EC NO.: J2007-2009 DRAWN: YAMADA01 2007/01/23 CHKD: KTOYODA 2007/01/25 APPR: NUKITA 2007/01/25	GENERAL TOLERANCES (UNLESS SPECIFIED)		DIMENSION STYLE MM ONLY		SCALE 2:1	DESIGN UNITS METRIC	THIRD ANGLE PROJECTION
	10 UNDER	±0.2	DRAWN BY MNABE I	DATE '04/07/09	TITLE EMBOSSD TAPE PACKAGE FOR 54104-**-**29 -LEAD FREE-		
	10 OVER 30 UNDER	±0.25	CHECKED BY KTOJO	DATE '04/07/09			
	30 OVER	±0.3	APPROVED BY NUKITA	DATE '04/07/09			
	ANGULAR	±3 °	MATERIAL NO.		DOCUMENT NO.	SHEET NO. 1 OF 2	
DRAFT WHERE APPLICABLE MUST REMAIN WITHIN DIMENSIONS		SEE CHART		SD-54104-078		MOLEX INCORPORATED	
B		A3		THIS DRAWING CONTAINS INFORMATION THAT IS PROPRIETARY TO MOLEX INCORPORATED AND SHOULD NOT BE USED WITHOUT WRITTEN PERMISSION			

10 9 8 7 6 5 4 3 2 1

F  
E  
D  
C  
B  
A



44	49.4	45.4	30.8	31.9	26.1	29.6	54104-5031	50
	49.4	45.4	28.8	29.9	24.1	27.6	54104-4631	46
	49.4	45.4	28.3	29.4	23.6	27.1	54104-4531	45
	49.4	45.4	27.8	28.9	23.1	26.6	54104-4431	44
	49.4	45.4	27.3	28.4	22.6	26.1	54104-4331	43
	49.4	45.4	25.8	26.9	21.1	24.6	54104-4031	40
	49.4	45.4	24.8	25.9	20.1	23.6	54104-3831	38
	49.4	45.4	23.8	24.9	19.1	22.6	54104-3631	36
	49.4	45.4	23.3	24.4	18.6	22.1	54104-3531	35
	49.4	45.4	22.8	23.9	18.1	21.6	54104-3431	34
	49.4	45.4	22.3	23.4	17.6	21.1	54104-3331	33
	49.4	45.4	21.8	22.9	17.1	20.6	54104-3231	32
	49.4	45.4	20.8	21.9	16.1	19.6	54104-3031	30
キャリアテープ幅 CARRIER TAPE WIDTH	F	E	D	C	B	A	MATERIAL NO.	CKT.

REVISED EC NO: J2007-2009 DRAWN: YAMADA 2007/01/23 CHKD: KYODA 2007/01/25 APPR: NUKITA 2007/01/25	GENERAL TOLERANCES (UNLESS SPECIFIED)		DIMENSION STYLE MM ONLY		SCALE 2:1	DESIGN UNITS METRIC	THIRD ANGLE PROJECTION	
	10 UNDER	±0.2	DRAWN BY MNABE I	DATE '04/07/09	TITLE EMBOSSD TAPE PACKAGE FOR 54104-**-29 -LEAD FREE-			
	10 OVER 30 UNDER	±0.25	CHECKED BY KTOJO	DATE '04/07/09				
	30 OVER	±0.3	APPROVED BY NUKITA	DATE '04/07/09	MOLEX INCORPORATED			
	ANGULAR	±3 °	MATERIAL NO.					
DRAFT WHERE APPLICABLE MUST REMAIN WITHIN DIMENSIONS		SEE CHART		THIS DRAWING CONTAINS INFORMATION THAT IS PROPRIETARY TO MOLEX INCORPORATED AND SHOULD NOT BE USED WITHOUT WRITTEN PERMISSION				