

60極品以上形状図  
SHAPE OF OVER 60CKT.

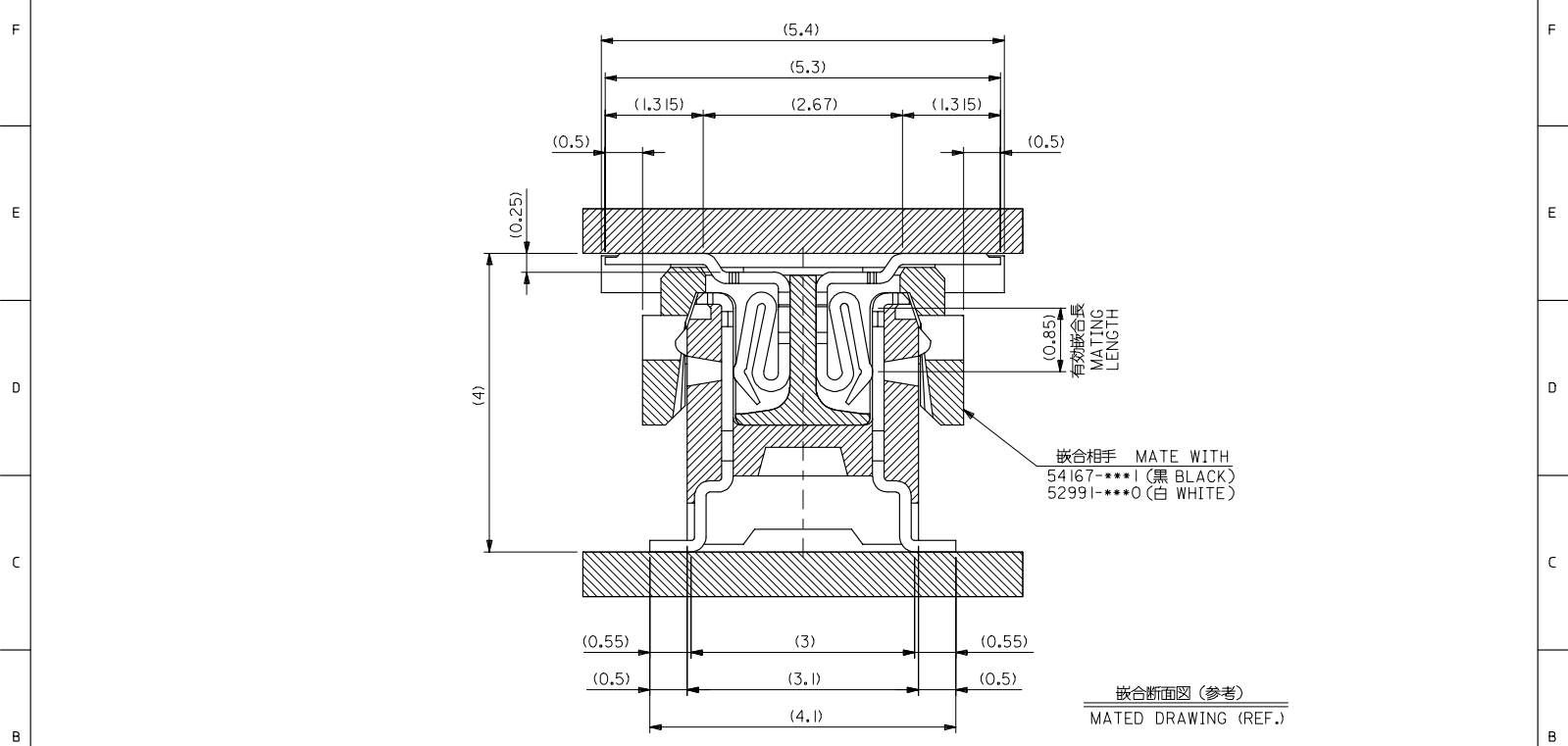
注記 NOTES:

1. 使用材料 MATERIAL  
 ウエハー: LCPガラス入り (黒) UL94V-0  
 WAFER: LCP(G.F.)(COLOR :BLACK),  
 UL94V-0  
 ピン: 黄銅 (t=0.15)  
 PIN: BRASS (t=0.15)  
 5 嵌合相手: 54167 シリーズ  
 52991 シリーズ  
 MATE WITH: 54167 SERIES.  
 52991 SERIES.
  2. メッキ仕様 PLATING  
 全体仕上げ: 金メッキ 0.1 MICROMETER MIN.  
 ALL OVER: GOLD 0.1 MICROMETER MIN.  
 下地メッキ: ニッケルメッキ 1.5 MICROMETER MIN.  
 UNDER PLATING: NICKEL 1.5 MICROMETER MIN.
  3. 基準面 [X] からの溶剤テールの半田付け面のズレ量は、上方向 0、  
 下方向 0.15MAX. とする。  
 MISALIGNMENT OF SOLDER TAIL FROM [X]  
 : UPPER DIRECTION 0, LOWER DIRECTION 0.15 MAX.
- △ (全極数/2) = 偶数の場合に適用。  
 APPLY FOR (CIRCUIT/2)=EVEN.

20.24	19.5	22.3	53916-0801	80
17.74	17.0	19.8	-0701	70
15.24	14.5	17.3	-0601	60
12.74	12.0	14.8	-0501	50
10.24	9.5	12.3	-0401	40
7.74	7.0	9.8	-0301	30
5.24	4.5	7.3	53916-0201	20

REVISED	EC NO. J2006-0604	2005/08/31	DRW:NAIIDA	2005/09/01	CHK:KATOYODA	2005/09/01	APPR:NIKIITA	2005/09/09	DESCRIPTION	GENERAL TOLERANCES (UNLESS SPECIFIED)	DIMENSION STYLE MM ONLY	SCALE ---	DESIGN UNITS METRIC	THIRD ANGLE PROJECTION
									10 UNDER ±0.2	DRAWN BY S. AIHARA	DATE '96/11/28	TITLE 0.5 B/B CONN PLUG ASSY (W/O BOSS, W/O NAIL) -LEAD FREE-		
									10 OVER 30 UNDER ±0.25	CHECKED BY M. SASAO	DATE '01/12/26			
									30 OVER ±0.3	APPROVED BY M. SASAO	DATE '01/12/26			
									ANGULAR ±3 °	MATERIAL NO.		MOLEX INCORPORATED		
									DRAFT WHERE APPLICABLE MUST REMAIN WITHIN DIMENSIONS	SEE CHART		DOCUMENT NO. SD-53916-001	SHEET NO. 1 OF 2	
										SIZE A3				
										THIS DRAWING CONTAINS INFORMATION THAT IS PROPRIETARY TO MOLEX INCORPORATED AND SHOULD NOT BE USED WITHOUT WRITTEN PERMISSION				

10 9 8 7 6 5 4 3 2 1



REVISED		GENERAL TOLERANCES (UNLESS SPECIFIED)		DIMENSION STYLE		SCALE		DESIGN UNITS		MODEL NO.	
IEC NO. J2006-0604		10 UNDER ± ---		MM ONLY		---		METRIC		53916-***1	
DRAWN BY S. AIHARA		10 OVER 30 UNDER ± ---		DRAWN BY DATE		TITLE		THIRD ANGLE PROJECTION		MODEL NO.	
CHKD BY M. SASAO		30 OVER ± ---		S. AIHARA '96/11/28		0.5 B/B CONN PLUG ASSY (W/O BOSS, W/O NAIL) -LEAD FREE-				MODEL NO.	
APPR. BY M. SASAO		ANGULAR ± --- °		M. SASAO '01/12/26		MOLEX INCORPORATED				MODEL NO.	
DESCRIPTION		DRAFT WHERE APPLICABLE MUST REMAIN WITHIN DIMENSIONS		APPROVED BY DATE		MATERIAL NO.		DOCUMENT NO.		SHEET NO.	
C				M. SASAO '01/12/26		SEE CHART		SD-53916-001		2 OF 2	
				SIZE A3		THIS DRAWING CONTAINS INFORMATION THAT IS PROPRIETARY TO MOLEX INCORPORATED AND SHOULD NOT BE USED WITHOUT WRITTEN PERMISSION					

tb\_frame\_A3\_1\_ME\_S Rev. D 2004/04/02

9 8 7 6 5 4 3 2 1 EN-02JA(021)

10 9 8 7 6 5 4 3 2 1

F

E

D

C

B

A

F

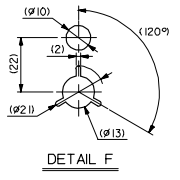
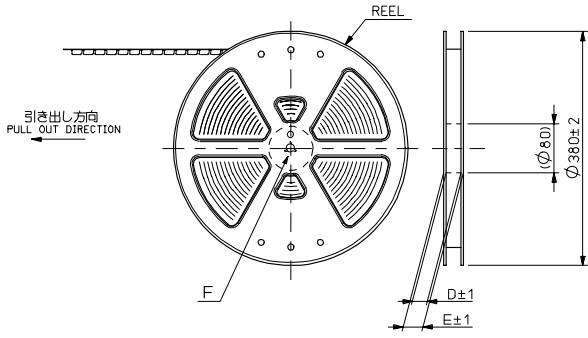
E

D

C

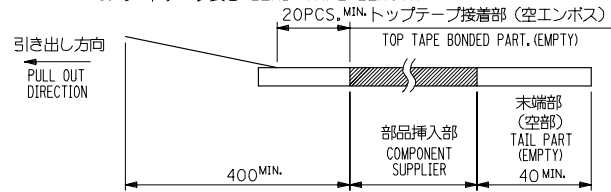
B

A

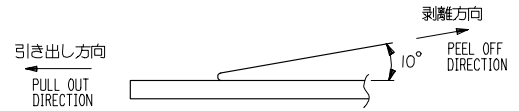


NOTES

- 製品詳細寸法については図面 SD-53916-001 を参照下さい。  
RE DETAILED DIMENSION, SEE SD-53916-001
- 梱包数量: 1500個/リール  
NUMBER OF CONNECTORS: 1500PCS/REEL
- リードテープ長さ LEAD TAPE LENGTH



- トップテープの剥離強度: 0.1N~1.3N (10gf~130gf) (剥離方向は下図参照) 尚、本規格値は出荷時に適用。(但し、輸送時に剥離が発生しないこと。)  
PEELING OFF FORCE OF TOP TAPE: 0.1N~1.3N (10gf~130gf) (PEELING DIRECTION AS SHOWN IN FOLLOWING FIG.) THIS REQUIREMENT SHOULD BE APPLIED AT SHIPMENT. PEEL OFF SHOULD NOT BE ALLOWED, DURING TRANSPORTATION.



- 材料 (MATERIAL)  
キャリアテープ (CARRIER TAPE): ポリプロピレン (POLYPROPYLENE)  
トップテープ (TOP TAPE): PET, PE, PEF  
リール (REEL): ポリスチレン (P.S.) <リサイクル材を含む>  
POLYSTYRENE (P.S.) <RECYCLE MATERIAL CONTAINED>

53916-\*\*\*8 MODEL NO.

REVISED IEC NO: J2006-0604 DRW: NAITA 2005/08/31 CHK: KTOYODA 2005/09/01 APPR: NUKITA 2005/09/09	GENERAL TOLERANCES (UNLESS SPECIFIED)		DIMENSION STYLE MM ONLY		SCALE ---	DESIGN UNITS METRIC	THIRD ANGLE PROJECTION
	10 UNDER	$\pm 0.2$	DRAWN BY S. AIHARA	DATE '96/11/27	TITLE 0.5 B/B CONN PLUG ASSY EMBSTP PKG -LEAD FREE-		
	10 OVER 30 UNDER	$\pm 0.25$	CHECKED BY T. ITO	DATE '01/01/26			
	30 OVER	$\pm 0.3$	APPROVED BY M. FUKUSHIMA	DATE '01/01/26	MOLEX INCORPORATED		
	ANGULAR	$\pm 3^\circ$	MATERIAL NO. SEE CHART				
DRAFT WHERE APPLICABLE MUST REMAIN WITHIN DIMENSIONS		THIS DRAWING CONTAINS INFORMATION THAT IS PROPRIETARY TO MOLEX INCORPORATED AND SHOULD NOT BE USED WITHOUT WRITTEN PERMISSION					

9

8

7

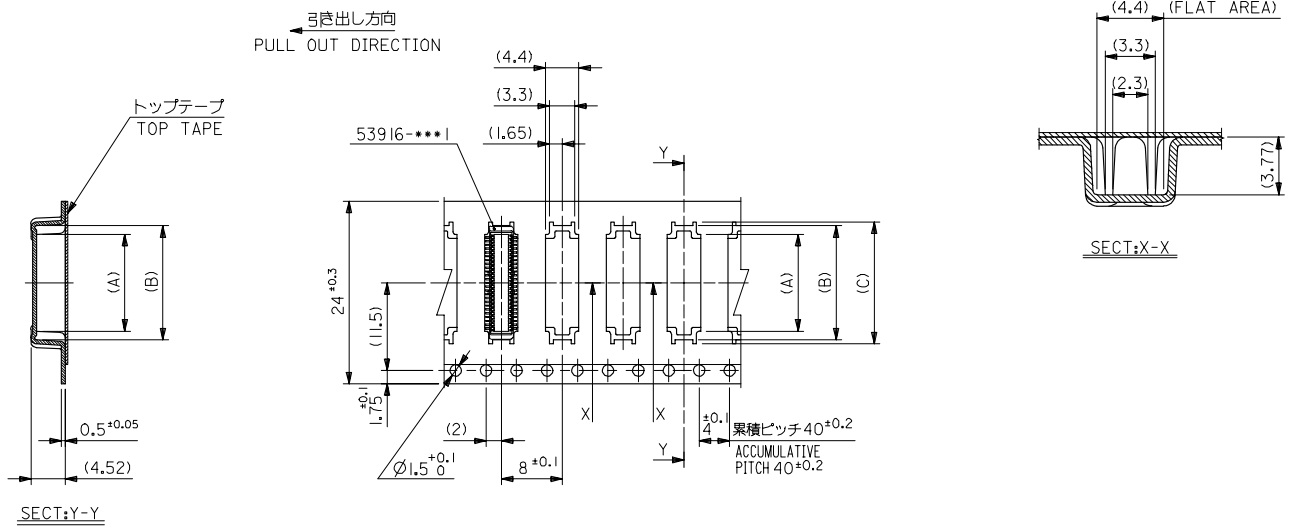
6

5

4

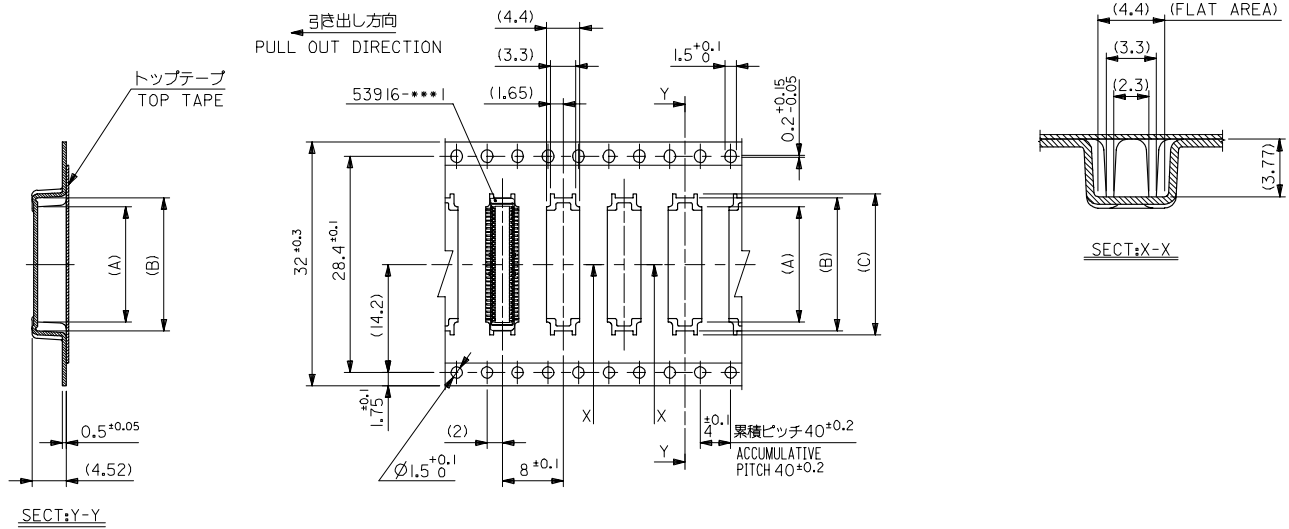
3

2



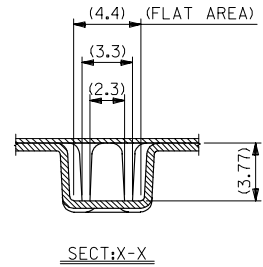
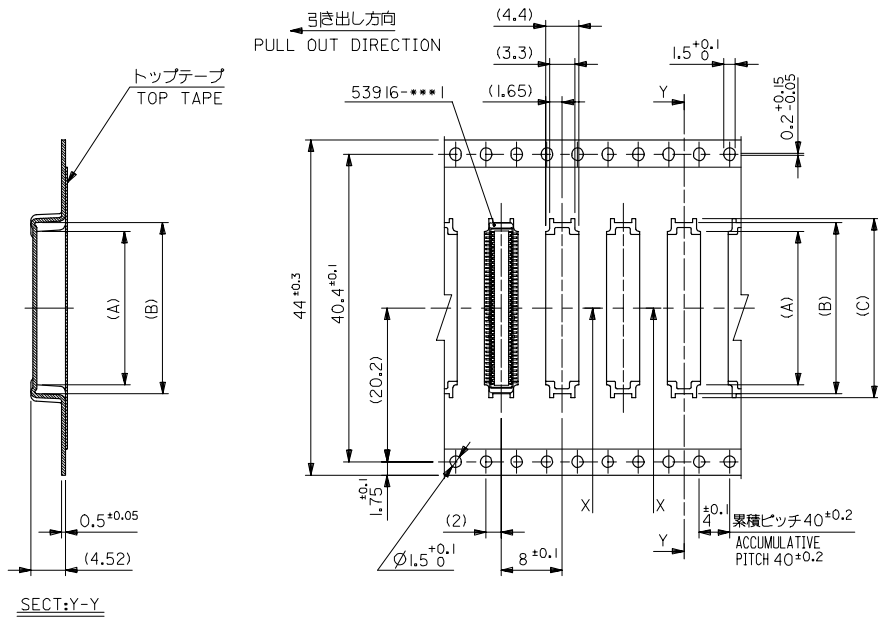
24mm幅キャリアテープ  
24mm WIDTH CARRIER TAPE

REVISED EC NO. J2006-0604 DRAWN BY DR. NAITA CHKD BY CHIKAKI YODA APPR. BY NAIKITA	DESCRIPTION 2005/08/31 2005/09/01 2005/09/09	53916-***8	MODEL NO.	キャリアテープ幅 CARRIER TAPE WIDTH	24	29.4	25.4	16	15	12.67	53916-0508	50
		10 UNDER	± ---	DRAWN BY	S. AIHARA	DATE	'96/11/27	3.5	12.5	10.17	53916-0408	40
		10 OVER 30 UNDER	± ---	CHECKED BY	T. ITO	DATE	'01/01/26	11	10	7.67	53916-0308	30
		30 OVER	± ---	APPROVED BY	M. FUKUSHIMA	DATE	'01/01/26	8.5	7.5	5.17	53916-0208	20
GENERAL TOLERANCES (UNLESS SPECIFIED)		DIMENSION STYLE MM ONLY		SCALE	---		DESIGN UNITS METRIC	THIRD ANGLE PROJECTION				
ANGULAR ± --- °		DRAFT WHERE APPLICABLE MUST REMAIN WITHIN DIMENSIONS		MATERIAL NO.		SEE CHART		DOCUMENT NO.		SD-53916-002		
SIZE A3		THIS DRAWING CONTAINS INFORMATION THAT IS PROPRIETARY TO MOLEX INCORPORATED AND SHOULD NOT BE USED WITHOUT WRITTEN PERMISSION										



32mm 幅キャリアテープ  
32mm WIDTH CARRIER TAPE

REVISED		53916-***8		MODEL NO.		32	37.4	33.4	18.5	17.5	15.17	53916-0608	60	
EC NO. J2006-0604		2005/08/31		2005/09/01		キャリアテープ幅 CARRIER TAPE WIDTH		E	D	(C)	(B)	(A)	MATERIAL NO.	種数 CIRCUIT
DRW:NAIDA		CHK:KTYODA		APPR:NIKIITA		DIMENSION STYLE MM ONLY		SCALE ---		DESIGN UNITS METRIC		THIRD ANGLE PROJECTION		
T. YASUI		'97/05/14		DATE		DRAWN BY		TITLE		0.5 B/B CONN PLUG ASSY EMBSTP PKG -LEAD FREE-				
T. ITO		'01/01/26		DATE		CHECKED BY		MOLEX		MOLEX INCORPORATED				
M. FUKUSHIMA		'01/01/26		DATE		APPROVED BY		MATERIAL NO.		DOCUMENT NO.		SHEET NO.		
SEE CHART		SD-53916-002		3 OF 4		SIZE A3		THIS DRAWING CONTAINS INFORMATION THAT IS PROPRIETARY TO MOLEX INCORPORATED AND SHOULD NOT BE USED WITHOUT WRITTEN PERMISSION						



44mm幅キャリアテープ  
44mm WIDTH CARRIER TAPE

REVISED REV. NO. J2006-0604 EC NO. 2005/0813 DRAWN BY CHIKAKI YODA CHKD BY YODA APPR. NUKITA 2005/09/01 2005/09/09	53916-***8	MODEL NO.	44	49.4	45.4	23.5	22.5	20.17	53916-0808	80
	GENERAL TOLERANCES (UNLESS SPECIFIED)		DIMENSION STYLE MM ONLY		SCALE ---	DESIGN UNITS METRIC		THIRD ANGLE PROJECTION		
	10 UNDER	±---	DRAWN BY S. AIHARA		DATE '98/10/23	TITLE 0.5 B/B CONN PLUG ASSY EMBSTP PKG -LEAD FREE-				
	10 OVER 30 UNDER	±---	CHECKED BY T. ITO		DATE '01/01/26	MOLEX INCORPORATED				
30 OVER	±---	APPROVED BY M. FUKUSHIMA		DATE '01/01/26	MATERIAL NO.		DOCUMENT NO. SD-53916-002		SHEET NO. 4 OF 4	
ANGULAR	±---°	DRAFT WHERE APPLICABLE MUST REMAIN WITHIN DIMENSIONS		SEE CHART		THIS DRAWING CONTAINS INFORMATION THAT IS PROPRIETARY TO MOLEX INCORPORATED AND SHOULD NOT BE USED WITHOUT WRITTEN PERMISSION				