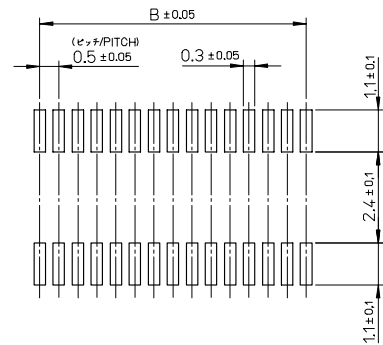
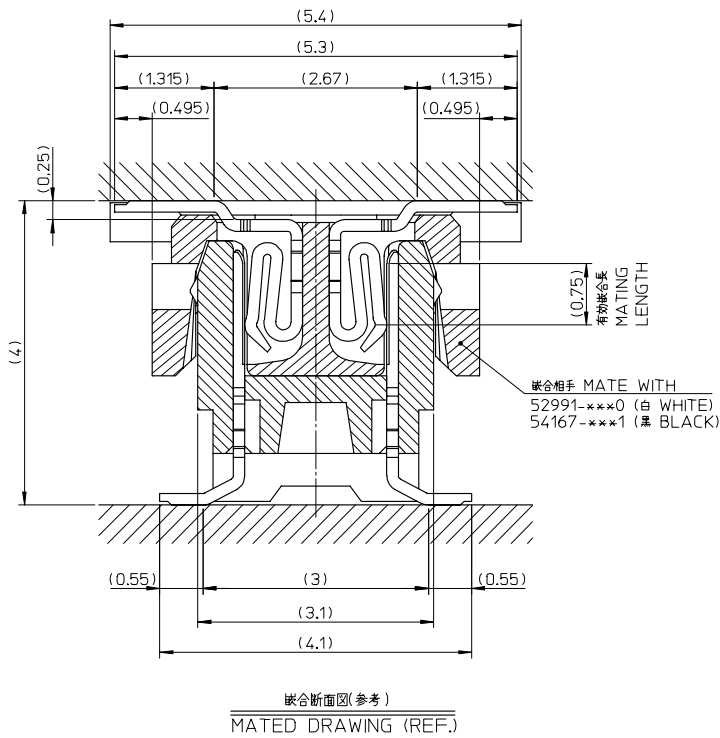


NOTES

1. 材質
 MATERIAL
 ハウジング: LCP(液晶ポリマー)、ガラス充填、黒色、UL94V-0
 HOUSING: GLASS FILLED LIQUID CRYSTAL POLYMER, BLACK, UL94V-0
 ターミナル: 銅合金 (t=0.15)
 TERMINAL: COPPER ALLOY (t=0.15)
2. メッキ仕様
 PLATING
 ターミナル
 TERMINAL
 接点部: 金メッキ
 CONTACT AREA: GOLD
 半田付け部: 銅メッキ
 SOLDER TAIL AREA: TIN
 下地メッキ: ニッケルメッキ
 UNDER PLATING: NICKEL
3. テール平面度: 0.1 MAX.
 COPLANARITY: 0.1 MAXIMUM
4. ELV AND RoHS COMPLIANT.

10.24	9.5	12.3	501920-4001	501920-4009	40
7.74	7.0	9.8	501920-3001	501920-3009	30
C	B	A	エンボス梱包 EMBOSSED TAPE PACKAGING	製品番号 MATERIAL NO.	CIRCUIT

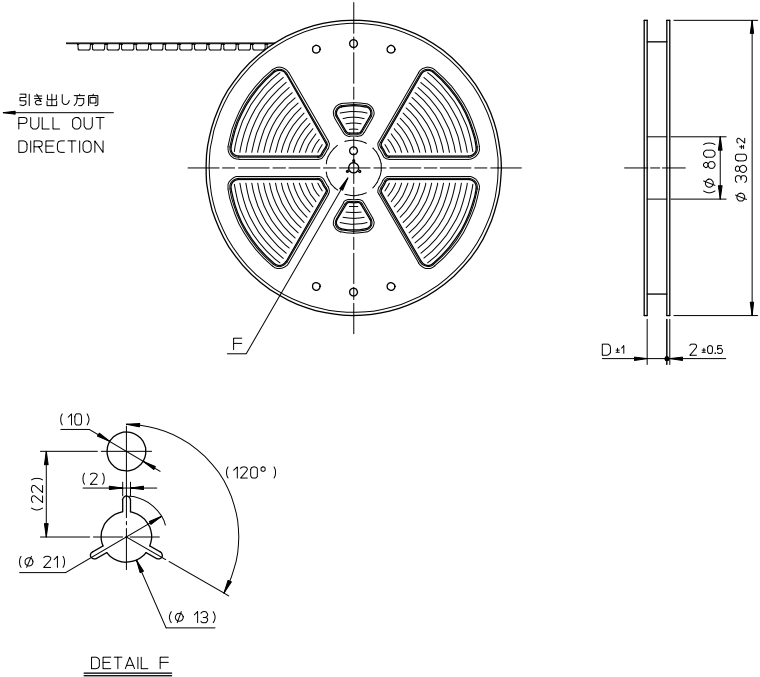
REVISED EC NO: J2007-3102 DRWN: YAOYAGI 2007/05/24 CHKD: M. SOGAYA 2007/05/25 APPR: NUKITA 2007/05/25	GENERAL TOLERANCES (UNLESS SPECIFIED)		DIMENSION STYLE MM ONLY		SCALE 10:1	DESIGN UNITS METRIC	MODEL NO. 501920-**09	THIRD ANGLE PROJECTION
	10 UNDER	±0.2	DRAWN BY M. ISOGAYA	DATE 2005/08/17	TITLE 0.5 PITCH B/B CONN. PLUG HSG ASSY MOLEX INCORPORATED DOCUMENT NO. SD-501920-001 SHEET NO. 1 OF 2			
	10 OVER 30 UNDER	±0.25	CHECKED BY T. HIRATA	DATE 2005/08/17				
	30 OVER	±0.3	APPROVED BY M. SASAO	DATE 2005/08/17				
ANGULAR	±1 °	DRAFT WHERE APPLICABLE MUST REMAIN WITHIN DIMENSIONS		SEE TABLE	THIS DRAWING CONTAINS INFORMATION THAT IS PROPRIETARY TO MOLEX INCORPORATED AND SHOULD NOT BE USED WITHOUT WRITTEN PERMISSION			



参考基板レイアウト(マウント面)
 RECOMMENDED P.C.BOARD
 PATTERN DIMENSION (REF.)
 (MOUNT AREA) (SCALE 10:1)

REVISED EC NO. J2007-3102 DRWN:YAOYAGI 2007/05/24 CHKD:HI SOGAYA 2007/05/25 APPR:NIKIITA 2007/05/25 DESCRIPTION REV.	GENERAL TOLERANCES (UNLESS SPECIFIED)		DIMENSION STYLE MM ONLY		501920-***09 SCALE 20:1 DESIGN UNITS METRIC		MODEL NO. THIRD ANGLE PROJECTION	
	10 UNDER	± 0.2	DRAWN BY	DATE	TITLE 0.5 PITCH B/B CONN. PLUG HSG ASSY MOLEX INCORPORATED DOCUMENT NO. SD-501920-001 SHEET NO. 2 OF 2			
	10 OVER 30 UNDER	± 0.25	M. ISOGAYA	2005/08/17				
	30 OVER	± 0.3	T. HIRATA	2005/08/17				
ANGULAR	± 1 °	APPROVED BY	DATE	MATERIAL NO. SEE SHEET 1		THIS DRAWING CONTAINS INFORMATION THAT IS PROPRIETARY TO MOLEX INCORPORATED AND SHOULD NOT BE USED WITHOUT WRITTEN PERMISSION		
DRAFT WHERE APPLICABLE MUST REMAIN WITHIN DIMENSIONS		M. SASAO 2005/08/17						

10 9 8 7 6 5 4 3 2 1



NOTES

- 製品詳細寸法については、製品単体図面を御参照下さい。
For detail of connector dimensions, please see the drawing of connector itself (not packaged)
 - 梱包数量 : 1500 個/リール
NUMBER OF CONNECTORS : 1500 PCS/REEL
 - リードテープ長さ
LEAD TAPE LENGTH
-
- トップテープの剥離強度: 0.1N ~ 1.3N (10gf~130gf)
(剥離方向は下図参照)
尚、本規格値は、出荷時に適用。(但し、輸送時に剥離が発生しない事。)
PEELING OFF FORCE OF TOP TAPE 0.1N~1.3N (10gf~130gf)
(PEELING DIRECTION AS SHOWN IN FOLLOWING FIG.)
THIS REQUIREMENT SHOULD BE APPLIED AT SHIPMENT.
(PEEL OFF SHOULD NOT BE ALLOWED, DURING TRANSPORTATION.)
-
- 材料
キャリアテープ : ポリプロピレン
トップテープ : PET ,PE ,PEF
リール : ポリスチレン(PS) <リサイクル材を含む>
MATERIAL
CARRIER TAPE : POLYPROPYLENE
TOP TAPE : PET ,PE ,PEF
REEL : POLYSTYRENE(PS) <RECYCLE MATERIAL CONTAINED>
 - ELV AND RoHS COMPLIANT.

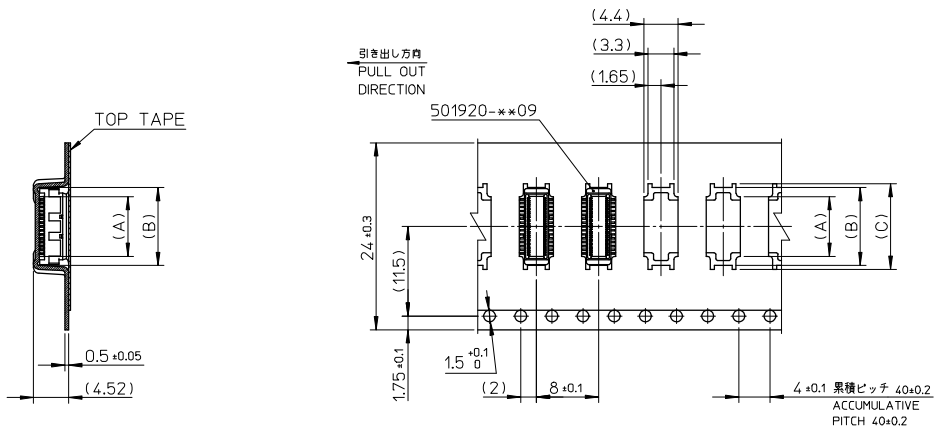
A

REVISED EC NO: J2008-2863 DRAWN: K. IHO CHKD: M. SASAO APPR: M. SASAO	DESCRIPTION 2008/01/29 2008/01/29 2008/02/05	GENERAL TOLERANCES (UNLESS SPECIFIED)		DIMENSION STYLE MM ONLY		501920-**x01		MODEL NO.		
		10 UNDER ±0.2		DRAWN BY M. ISOGAYA DATE 2005/08/18		SCALE #	DESIGN UNITS METRIC	THIRD ANGLE PROJECTION		
		10 OVER 30 UNDER ±0.25		CHECKED BY T. HIRATA DATE 2005/08/18		TITLE EMBSTP PKG FOR 0.5 PITCH B/B CONN. PLUG HSG ASSY				
		30 OVER ±0.3		APPROVED BY M. SASAO DATE 2005/08/18		MOLEX INCORPORATED				
ANGULAR ±1 °		DRAFT WHERE APPLICABLE MUST REMAIN WITHIN DIMENSIONS		MATERIAL NO. SEE SHEET 2		DOCUMENT NO. SD-501920-002		SHEET NO. 1 OF 2		

tb_frame_A3_J_AM_S
Rev. D 2004/06/28

9 8 7 6 5 4 3 2 1 EN-02DA(021)

10 9 8 7 6 5 4 3 2 1



24mm幅キャリアテープ
24mm WIDTH CARRIER TAPE

24	25.4	16.0	15.0	12.67	501920-5001	50
		13.5	12.5	10.17	501920-4001	40
		11.0	10.0	7.67	501920-3001	30
キャリアテープ幅 CARRIER TAPE WIDTH	D	(C)	(B)	(A)	MATERIAL NO.	CIRCUIT

REVISED E.C. NO: J2008-2863 DRAWN: KAIHO 2008/01/29 CHECKED: MSASAO 2008/01/29 APPR: MSASAO 2008/02/05	GENERAL TOLERANCES (UNLESS SPECIFIED)		DIMENSION STYLE MM ONLY		SCALE ≠	DESIGN UNITS METRIC	THIRD ANGLE PROJECTION
	10 UNDER	±0.2	DRAWN BY M. ISOGAYA	DATE 2005/08/18	TITLE EMBSTP PKG FOR 0.5 PITCH B/B CONN. PLUG HSG ASSY		
	10 OVER 30 UNDER	±0.25	CHECKED BY T. HIRATA	DATE 2005/08/18	MOLEX INCORPORATED		
	30 OVER	±0.3	APPROVED BY M. SASAO	DATE 2005/08/18	DOCUMENT NO. SD-501920-002		
	ANGULAR ±1°	MATERIAL NO. SEE TABLE		SHEET NO. 2 OF 2			
	DRAFT WHERE APPLICABLE MUST REMAIN WITHIN DIMENSIONS	SIZE A THIS DRAWING CONTAINS INFORMATION THAT IS PROPRIETARY TO MOLEX INCORPORATED AND SHOULD NOT BE USED WITHOUT WRITTEN PERMISSION					