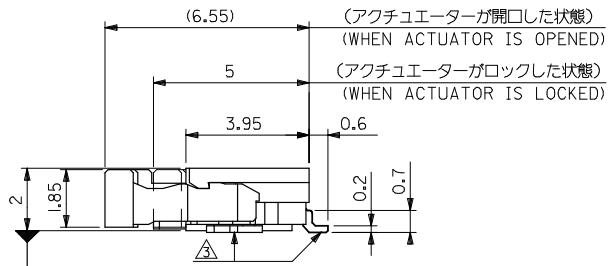
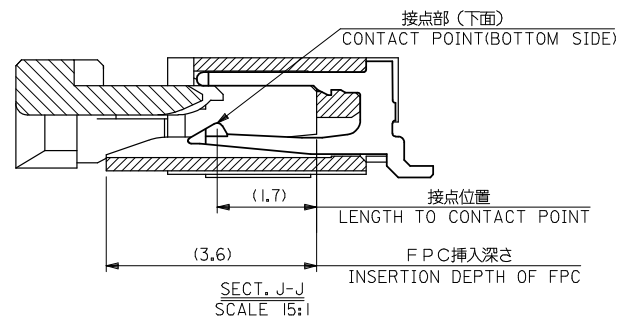
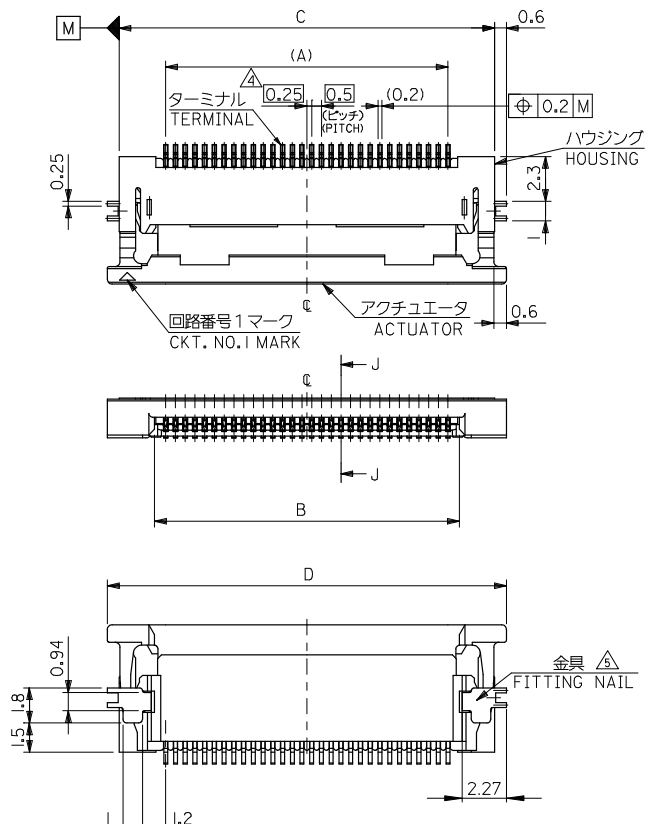


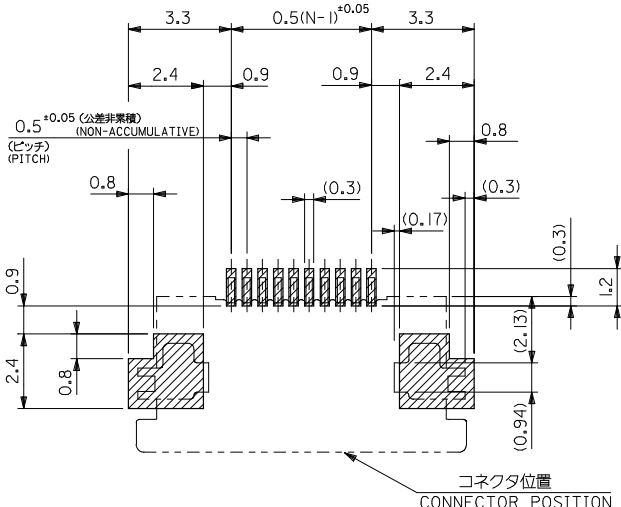
10 9 8 7 6 5 4 3 2 1



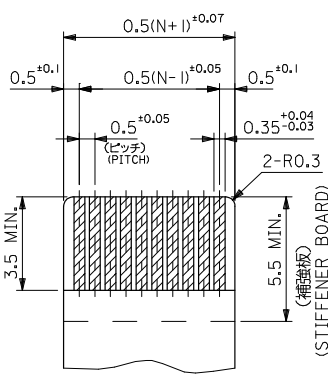
| D | C | B | A | EMBOSSED TAPE ORDER No. オ-ダー番号 | MATERIAL. NO. | CKT. |
|------|------|-------|------|--------------------------------|---------------|------|
| 30.5 | 29.3 | 25.65 | 24.5 | 54132-5062 | 54132-5068 | 50 |
| 28.0 | 26.8 | 23.15 | 22.0 | 54132-4562 | 54132-4568 | 45 |
| 27.0 | 25.8 | 22.15 | 21.0 | 54132-4362 | 54132-4368 | 43 |
| 25.5 | 24.3 | 20.65 | 19.5 | 54132-4062 | 54132-4068 | 40 |
| 24.5 | 23.3 | 19.65 | 18.5 | 54132-3862 | 54132-3868 | 38 |
| 23.5 | 22.3 | 18.65 | 17.5 | 54132-3662 | 54132-3668 | 36 |
| 23.0 | 21.8 | 18.15 | 17.0 | 54132-3562 | 54132-3568 | 35 |
| 22.5 | 21.3 | 17.65 | 16.5 | 54132-3462 | 54132-3468 | 34 |
| 22.0 | 20.8 | 17.15 | 16.0 | 54132-3362 | 54132-3368 | 33 |
| 21.5 | 20.3 | 16.65 | 15.5 | 54132-3262 | 54132-3268 | 32 |
| 20.5 | 19.3 | 15.65 | 14.5 | 54132-3062 | 54132-3068 | 30 |

| | | | | | | | |
|--|---------------------------------------|-------|--|--------------------|---|------------------------------|------------------------|
| REVISED EC NO: J2008-4308 DRAWN BY: M. UMEDA 2008/06/27 CHECKED BY: K. TOYODA 2008/06/30 APPR: N. UKITA 2008/06/30 | GENERAL TOLERANCES (UNLESS SPECIFIED) | | DIMENSION STYLE MM ONLY | | SCALE --- | DESIGN UNITS METRIC | THIRD ANGLE PROJECTION |
| | 10 UNDER | ±0.2 | DRAWN BY M. UMEDA | DATE 2004/09/27 | TITLE 0.5 FPC CONN. HSG ASSY BTM CONTACT GOLD PLATING -LEAD FREE-(NI-BARRIER) | | |
| | 10 OVER 30 UNDER | ±0.25 | CHECKED BY K. TOYODA | DATE 2004/09/27 | MOLEX INCORPORATED | | |
| | 30 OVER | ±0.3 | APPROVED BY N. UKITA | DATE 2004/09/27 | MATERIAL NO. SEE TABLE | DOCUMENT NO. SD-54132-064 | SHEET NO. 1 OF 4 |
| | ANGULAR ±3° | | DRAFT WHERE APPLICABLE MUST REMAIN WITHIN DIMENSIONS | | THIS DRAWING CONTAINS INFORMATION THAT IS PROPRIETARY TO MOLEX INCORPORATED AND SHOULD NOT BE USED WITHOUT WRITTEN PERMISSION | | |

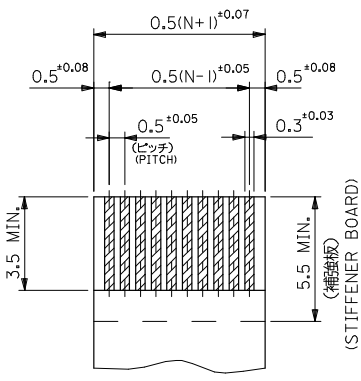
10 9 8 7 6 5 4 3 2 1



参考基板レイアウト
RECOMMENDED PC BOARD PATTERN DIMENSION (REF.)
(マウント面)
(MOUNTING SIDE)



適合FPC推奨寸法
APPLICABLE FPC RECOMMENDED DIMENSION
(仕上がり厚さ: 0.3+0.03)
(THICKNESS: 0.3+0.03)



適合FFC推奨寸法
APPLICABLE FFC RECOMMENDED DIMENSION
(仕上がり厚さ: 0.3+0.03)
(THICKNESS: 0.3+0.03)

注記
NOTES

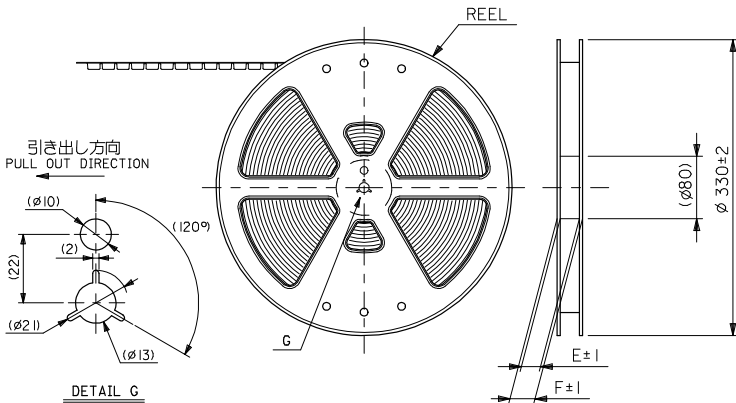
1. 使用材料 MATERIAL : 46ナイロン, UL94V-0
ハウジング HOUSING : 46NYLON
アクチュエーター ACTUATOR : PPS, UL94V-0
ターミナル TERMINAL : 金メッキ CONTACT部 0.1 MICRO METER MIN.
テール部 0.05 MICRO METER MIN.
ニッケル下地 1.0 MICRO METER MIN.
金具 FITTING NAIL : リン青銅 (t=0.2), 鍍メッキ 1.0~3.0 MICRO METER MIN.
ニッケル下地 1.0~3.0 MICRO METER MIN.
ニッケルバリア 1.0~3.0 MICRO METER MIN.
OVER NICKEL 1.0~3.0 MICRO METER MIN.

2. エンボステープ梱包時は、アクチュエーターがロックした状態とする。
IN THE PACKAGE, ACTUATOR OF PART NO.54132-**69 SHOULD BE LOCKED.
3. ソルダータール半田付け面のスレ量、及び金具半田付け面のスレ量は、基準面 (H) に対し上方向0.1MAX.、下方向0.15MAX.とする。
MISALIGNMENT OF SOLDER TAILS AND FITTING NAIL FROM (H) UPPER DIRECTION: 0.1 MAX., LOWER DIRECTION: 0.15 MAX.
4. 偶数個に適用
APPLY FOR EVEN CIRCUIT.
5. パターンはくり止め用金具
FITTING NAIL FOR PREVENTION OF PEELING OF P.C.B. PATTERN.
6. 本製品は54132-**61に対するニッケルバリアである。
THIS PRODUCT IS Ni-Barrier OF 54132-**61.

- FPC/FFCについて:
打抜き方向は導体側から補強板側を推奨いたします。
導体部については数銅箔35マイクロメートルまたは50マイクロメートル
RECOMMENDED PUNCHER DIRECTION:
FROM CONDUCTOR SIDE TO STIFFENER BOARD SIDE.
RECOMMENDED CONDUCTOR SPEC:
THICKNESS OF SOFT COPPER FOIL : 35 micrometer or 50 micrometer
- FPCについて:
補強フィルム材質はポリイミドを推奨いたします。
接着剤は熱硬化接着剤を推奨いたします。
RECOMMENDED MATERIAL:
STIFFENER FILM : POLYIMIDE
BONDING AGENT : THERMOSETTING BONDING AGENT

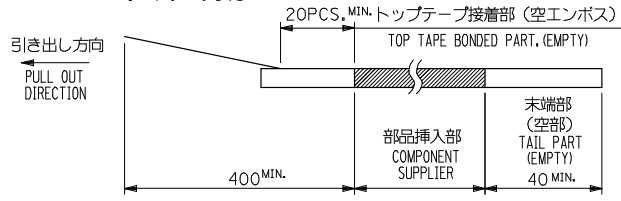
| | | | | | | | |
|--|---------------------------------------|--------------|----------------------------|---|--|------------------------------|---------------------------|
| REVISED EC NO: J2008-4308 DRAWN: MABEI 2008/06/30 CHKD: THARYAMA APPR: NIKITA 2008/06/30 | GENERAL TOLERANCES (UNLESS SPECIFIED) | | DIMENSION STYLE MM ONLY | | SCALE --- | DESIGN UNITS METRIC | THIRD ANGLE PROJECTION |
| | 10 UNDER | ±0.2 | DRAWN BY M.UMEDA | DATE 2004/09/27 | TITLE 0.5 FPC CONN. HSG ASSY BTM CONTACT GOLD PLATING -LEAD FREE-(NI-BARRIER) | | |
| | 10 OVER 30 UNDER | ±0.25 | CHECKED BY K.TOYODA | DATE 2004/09/27 | MOLEX INCORPORATED | | |
| | 30 OVER | ±0.3 | APPROVED BY N.UKITA | DATE 2004/09/27 | MATERIAL NO. SEE SHEET 1 | DOCUMENT NO. SD-54132-064 | SHEET NO. 2 OF 4 |
| REV | DESCRIPTION | ANGULAR ±3 ° | | SIZE A3 THIS DRAWING CONTAINS INFORMATION THAT IS PROPRIETARY TO MOLEX INCORPORATED AND SHOULD NOT BE USED WITHOUT WRITTEN PERMISSION | | | |
| DRAFT WHERE APPLICABLE MUST REMAIN WITHIN DIMENSIONS | | | | | | | |

10 9 8 7 6 5 4 3 2 1

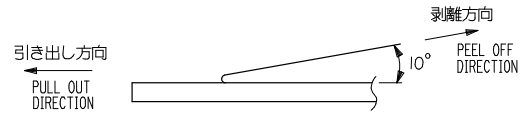


NOTES

- 1. 梱包数量：1500個/リール
NUMBER OF CONNECTORS : 1500PCS/REEL
- 2. リードテープ長さ LEAD TAPE LENGTH



- 3. トップテープの剥離強度：0.1N ~ 1.3N(10gf ~ 130gf)
(剥離方向は下図参照)
尚、本規格値は出荷時に適用。(但し、輸送時に剥離が発生しないこと。)
PEELING OFF FORCE OF TOP TAPE : 0.1N ~ 1.3N(10gf ~ 130gf)
(PEELING DIRECTION AS SHOWN IN FOLLOWING FIG.)
THIS REQUIREMENT SHOULD BE APPLIED AT SHIPMENT.
PEEL OFF SHOULD NOT BE ALLOWED ,DURING TRANSPORTATION.



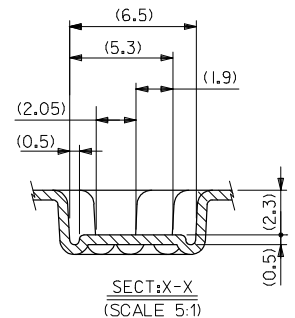
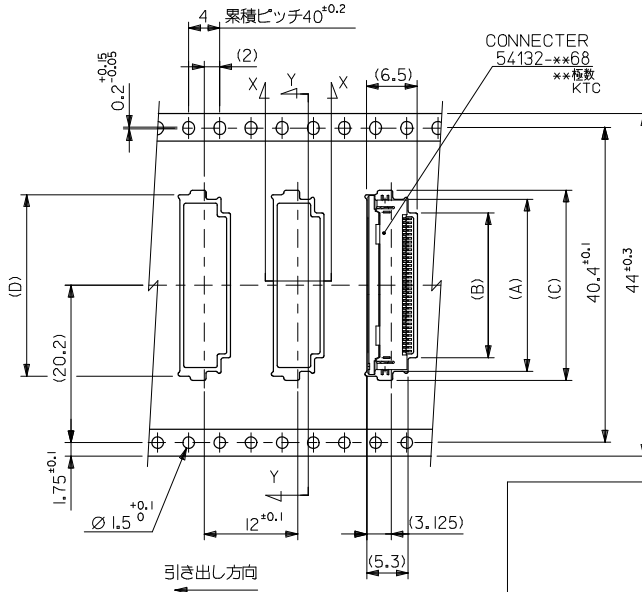
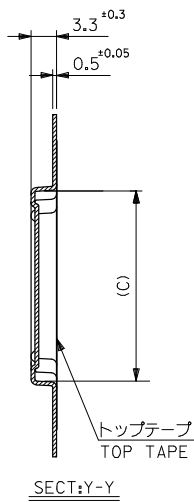
- 5. 材料 キャリアテープ：ポリプロピレン (PP)
トップテープ：PET, PE, PEF
リール：ポリスチレン (PS) <リサイクル材を含む>

MATERIAL CARRIER TAPE:POLYPROPYLENE
TOP TAPE:PET,PE,PEF
REEL:POLYSTYRENE(PS)
<RECYCLE MATERIAL CONTAINED>

- 6. 本製品は54132-*61に対するニッケルバリア品である。
THIS PRODUCT IS Ni-Barrier OF 54132-*61.

| | | | | | | | |
|--|---------------------------------------|-----------------------------|--|---------------------|--|------------------------|------------------------|
| REVISED EC NO: J2008-4308 DRAWN BY: M. UMEDA CHECKED BY: K. TOYODA APPROVED BY: N. UKITA DATE: 2008/06/27 DATE: 2008/06/30 DATE: 2008/06/30 | GENERAL TOLERANCES (UNLESS SPECIFIED) | | DIMENSION STYLE MM ONLY | | SCALE --- | DESIGN UNITS METRIC | THIRD ANGLE PROJECTION |
| | 10 UNDER | ±--- | DRAWN BY M. UMEDA | DATE 2004/09/27 | TITLE 0.5 FPC CONN. HSG ASSY BTM CONTACT GOLD PLATING -LEAD FREE-(NI-BARRIER) | | |
| | 10 OVER 30 UNDER | ±--- | CHECKED BY K. TOYODA | DATE 2004/09/27 | MOLEX INCORPORATED | | |
| | 30 OVER | ±--- | APPROVED BY N. UKITA | DATE 2004/09/27 | DOCUMENT NO. SD-54132-064 | | |
| ANGULAR | ±--- ° | MATERIAL NO. SEE SHEET 4 | | SHEET NO. 3 OF 4 | | SIZE A3 | |
| DRAFT WHERE APPLICABLE MUST REMAIN WITHIN DIMENSIONS | | | THIS DRAWING CONTAINS INFORMATION THAT IS PROPRIETARY TO MOLEX INCORPORATED AND SHOULD NOT BE USED WITHOUT WRITTEN PERMISSION | | | | |

10 9 8 7 6 5 4 3 2 1



| | | | | | | | | | | |
|--------------------------------|------|------|------|------------|------|------|------------|----|------------------------------|------|
| 44 | 49.4 | 45.4 | 30.8 | 31.9 | 26.1 | 29.6 | 54132-5062 | 50 | | |
| | | | 28.3 | 29.4 | 23.6 | 27.1 | 54132-4562 | 45 | | |
| | | | 27.3 | 28.4 | 22.6 | 26.1 | 54132-4362 | 43 | | |
| | | | 25.8 | 26.9 | 21.1 | 24.6 | 54132-4062 | 40 | | |
| | | | 24.8 | 25.9 | 20.1 | 23.6 | 54132-3862 | 38 | | |
| | | | 23.8 | 24.9 | 19.1 | 22.6 | 54132-3662 | 36 | | |
| | | | 23.3 | 24.4 | 18.6 | 22.1 | 54132-3562 | 35 | | |
| | | | 22.8 | 23.9 | 18.1 | 21.6 | 54132-3462 | 34 | | |
| | | | 22.3 | 23.4 | 17.6 | 21.1 | 54132-3362 | 33 | | |
| | | | 21.8 | 22.9 | 17.1 | 20.6 | 54132-3262 | 32 | | |
| 20.8 | 21.9 | 16.1 | 19.6 | 54132-3062 | 30 | | | | | |
| キャリアテープ幅 CARRIER TAPE WIDTH | | | F | E | D | C | B | A | MATERIAL NO. (EMBOSS PKG) | CKT. |

| | | | | | | | |
|---|---------------------------------------|------|---|--------------------|--|------------------------------|------------------------|
| REVISED EC NO: J2008-4308 DRAWN BY: MUMABEI 2008/06/27 CHECKED BY: CHYKO:THARYAMA 2008/06/30 APPROVED BY: APPR:NIKIITA 2008/06/30 DESCRIPTION: | GENERAL TOLERANCES (UNLESS SPECIFIED) | | DIMENSION STYLE MM ONLY | | SCALE --- | DESIGN UNITS METRIC | THIRD ANGLE PROJECTION |
| | 10 UNDER | ±--- | DRAWN BY M.UMEDA | DATE 2004/09/27 | TITLE 0.5 FPC CONN. HSG ASSY BTM CONTACT GOLD PLATING -LEAD FREE-(NI-BARRIER) | | |
| | 10 OVER 30 UNDER | ±--- | CHECKED BY K.TOYODA | DATE 2004/09/27 | MOLEX INCORPORATED | | |
| | 30 OVER | ±--- | APPROVED BY M.UMEDA | DATE 2004/09/27 | MATERIAL NO. SEE TABLE | DOCUMENT NO. SD-54132-064 | SHEET NO. 4 OF 4 |
| | ANGULAR ±--- ° | | THIS DRAWING CONTAINS INFORMATION THAT IS PROPRIETARY TO MOLEX INCORPORATED AND SHOULD NOT BE USED WITHOUT WRITTEN PERMISSION | | | | |
| DRAFT WHERE APPLICABLE MUST REMAIN WITHIN DIMENSIONS | | | | | | | |