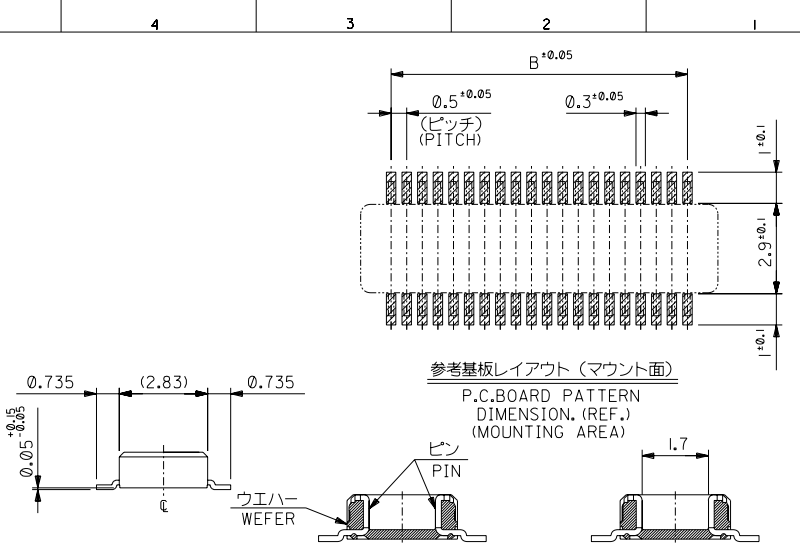
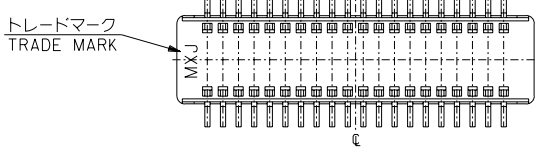
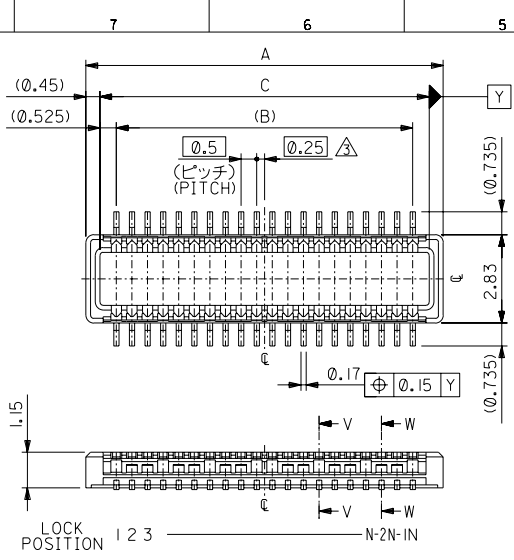


DWG. NO. SD-55560-006

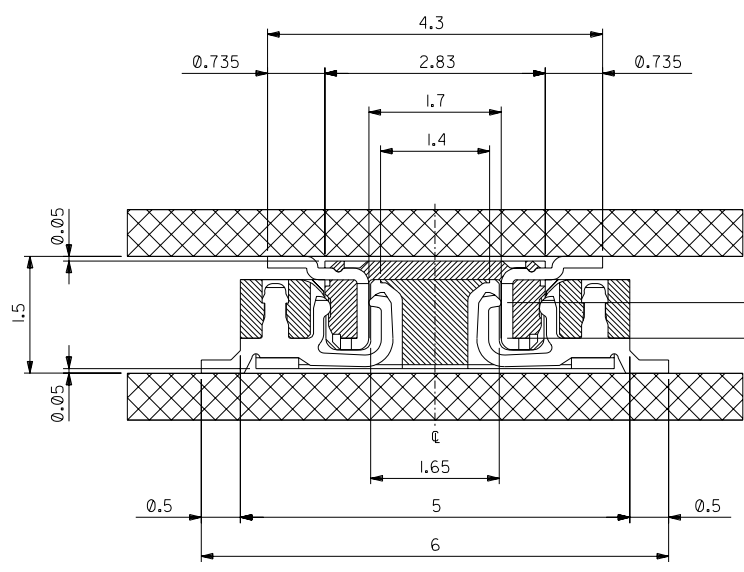
DO NOT SCALE DRAWING



NON	20.55	19.5	21.45	55560-0801	80
10,21	15.55	14.5	16.45	-0601	60
2,4,8,10,16,18,22,24	13.05	12.0	13.95	-0501	50
2,4,8,10,14,16,20,22	12.05	11.0	12.95	-0461	46
2,3,5,6,8,9,12,13,15,16,18,19	10.55	9.5	11.45	-0401	40
2,3,4,5,7,8,9,10,11,13,14,15,16	9.05	8.0	9.95	-0341	34
ALL	8.05	7.0	8.95	-0301	30
	6.55	5.5	7.45	-0241	24
	6.05	5.0	6.95	-0221	22
	5.55	4.5	6.45	-0201	20
4.55	3.5	5.45	55560-0161	16	
LOCK POSITION	C	B	A	MATERIAL NO.	極数 CIRCUIT

E82NO. J2003-2517 DRWN: S.AIHARA '03/03/31 CHK: M.SASAO APPR: M.SASAO REVISED E81NO. J2003-1929 DRWN: T.YASUJI '03/11/23 CHK: T.IITO APPR: T.IITO REVISED E80NO. J2003-1468 DRWN: T.YASUJI '02/11/25 CHK: T.IITO APPR: T.YAMAGUCHI DESCRIPTION	MATERIAL 材料 注記参照 SEE NOTES FINISH 仕上り WIRE RANGE 適用電線範囲 INS. RANGE 被覆外径	GENERAL TOLERANCES: (UNLESS SPECIFIED) 10 UNDER 未満 10 OVER 以上 30 UNDER 未満 30 OVER 以上 ANGLE 角度	MODEL NO. 55560-***1 DESIGN UNITS <input checked="" type="checkbox"/> mm <input type="checkbox"/> INCH DRAWN BY & DATE S.AIHARA '00/10/5 CHECKED BY & DATE M.SASAO '03/03/31 APPROVED BY & DATE M.SASAO '03/03/31 CAD FILENAME 55560006.S01	DIMENSIONS: <input checked="" type="checkbox"/> mm <input type="checkbox"/> INCH <input type="checkbox"/> mm ONLY <input type="checkbox"/> INCH ONLY TITLE: 0.5 B-To-B Conn PLUG Assy(Hgt=1.5mm) MOLEX INCORPORATED	SHT 8 REV 1 SHEET NO. 1 OF 2 SIZE B EN-02J(097) MXJ-54
--	--	---	---	---	--

DWG. NO. SD-55560-006



嵌合断面図(参考)
MATED DRAWING (REF.)

- 注記 NOTES:
1. 使用材料 MATERIAL
 ウェハー : 液晶ポリマー ガラス充填 ,UL94V-0(黒)
 WAFER : LIQUID CRYSTRAL POLYMER
 (GLASS FILLED), UL94V-0 (COLOR:BLACK)
 ピン : 黄銅 (t=0.15)
 PIN : BRASS(t=0.15)
 2. メッキ仕様 PLATING
 金メッキ 0.25 MICROMETER MINIMUM (コンタクト部)
 GOLD 0.25 MICROMETER MINIMUM (CONTACT AREA).
 金メッキ 0.4 MICROMETER MAXIMUM (テール部)
 GOLD 0.4 MICROMETER MAXIMUM (TAIL AREA).
 下地メッキ : ニッケルメッキ 1.5 MICROMETER MINIMUM
 UNDER PLATING : NICKEL 1.5 MICROMETER MINIMUM.
 △(全極数/2) = 偶数の場合に適用。
 APPLY FOR (CIRCUIT/2)=EVEN.
 4. 嵌合相手 : 54722 シリーズ, 54037 シリーズ
 MATE WITH : 54722 SERIES, 54037 SERIES.
 5. テール平坦度は、0.1 MAXIMUM
 TAIL COPLANARITY TO BE 0.1 MAXIMUM.

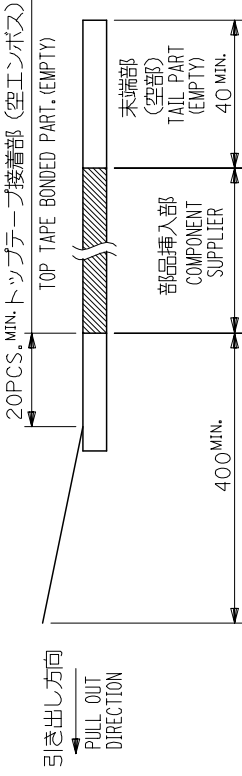
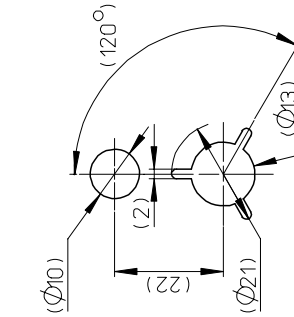
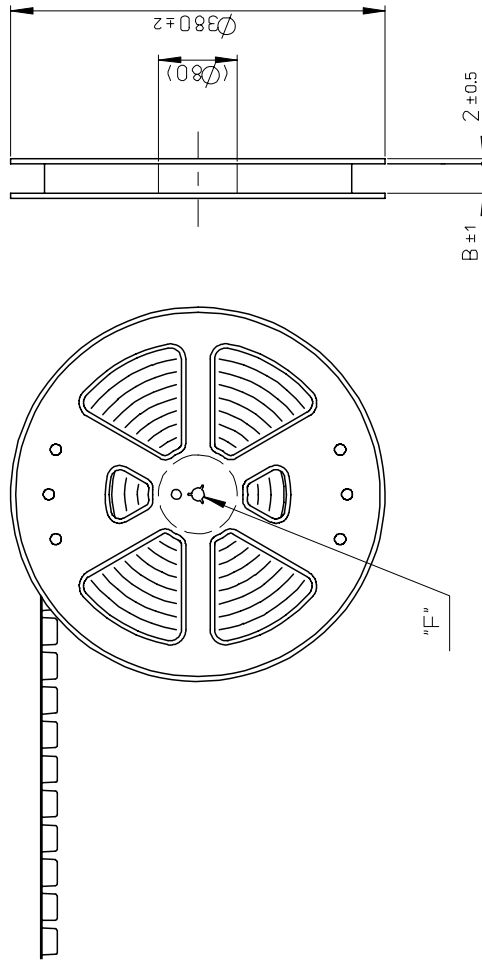
有効嵌合長
MATING LENGTH

DO NOT SCALE DRAWING			MODEL NO. 55560-***I		DIMENSIONS:		SHT	REV
81NO. DRWN: CH'K: APPR: 83NO. DRWN: CH'K: APPR: 82NO. J2003-2517 DRWN: S.AIHARA CH'K: M.SASAO APPR: M.SASAO 81NO. J2003-1929 DRWN: T.YASUI CH'K: T.IITO APPR: T.IITO 80NO. J2003-1468 DRWN: T.YASUI CH'K: T.IITO APPR: T.YAMAGUCHI			GENERAL TOLERANCES: (UNLESS SPECIFIED) 一般公差 10 UNDER 未満 10 OVER 以上 30 UNDER 未満 30 OVER 以上 ANGLE 角度		SCALE	DESIGN UNITS	PROJECTION	REVISION ON CAD ONLY
REV DESCRIPTION FINISH 仕上げ WIRE RANGE 適用電線範囲 INS. RANGE 被覆外径			注記参照 SEE NOTES		DRAWN BY & DATE S.AIHARA '00/10/5 CHECKED BY & DATE M.SASAO '03/03/31 APPROVED BY & DATE M.SASAO '03/03/31 CAD FILENAME 55560006.S02	TITLE: 0.5 B-To-B Conn PLUG Assy(Hgt=1.5mm)	DIMENSIONS: <input type="checkbox"/> mm <input type="checkbox"/> INCH <input checked="" type="checkbox"/> mm ONLY	SHEET NO. 2 OF 2 SIZE B
MOLEX INCORPORATED			MATERIAL NO. SEE CHART DRAWING NO. SD-55560-006		EN-02J(097) MXJ-54			

10 9 8 7 6 5 4 3 2 1

NOTES

1. 製品詳細寸法については図面 SD-55560-006 を参照下さい。
RE DETAILED DIMENSION, SEE SD-55560-006
2. 梱包数量：3000個/リール
NUMBER OF CONNECTORS : 3000PCS/REEL
3. リードテープ長さ LEAD TAPE LENGTH
20PCS. MIN. トップテープ接着部 (空インボス)
TOP TAPE BONDED PART. (EMPTY)

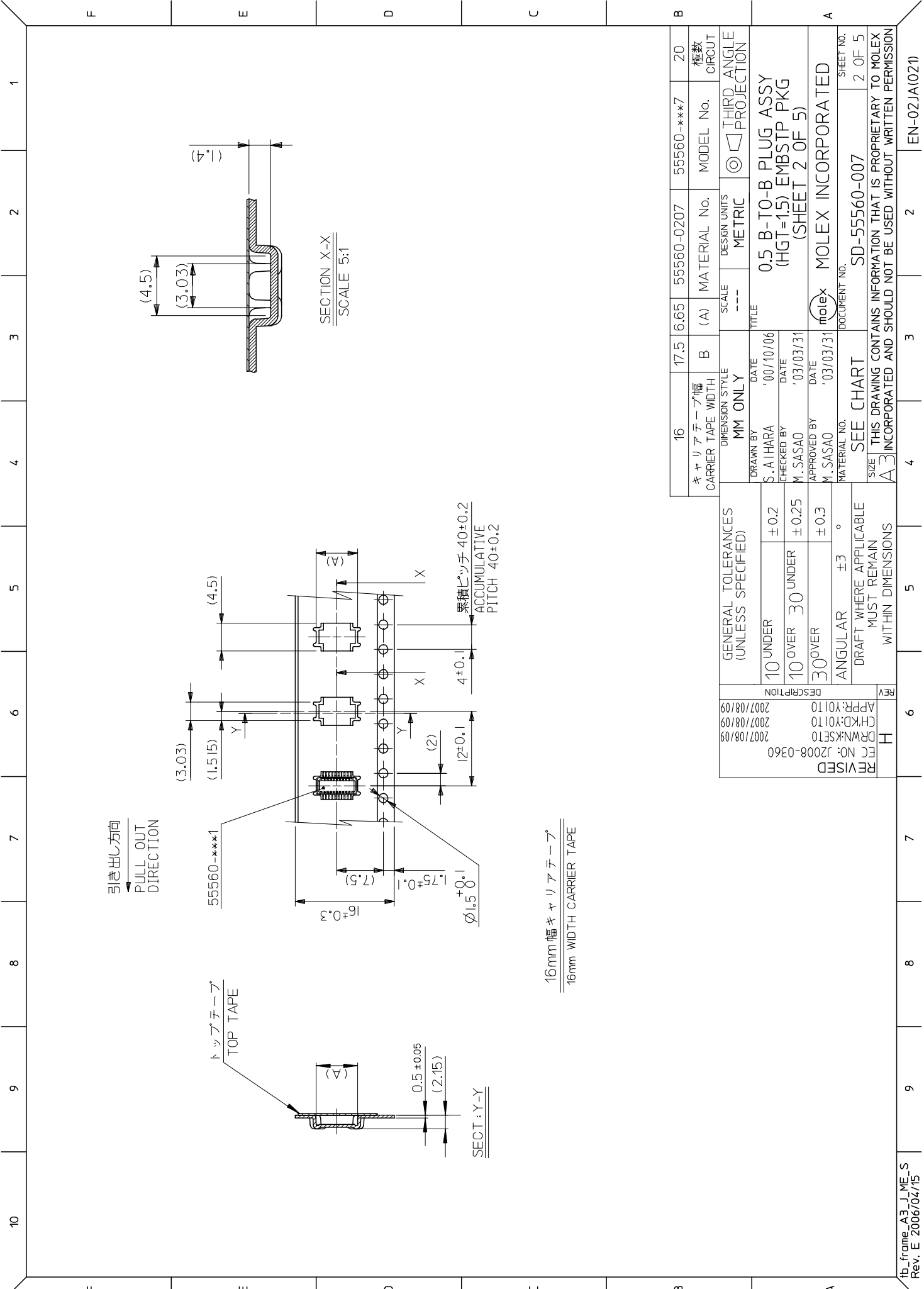


4. トップテープの剥離強度：0.1N ~ 0.7N(10.2gf ~ 71.4gf)
(剥離方向は下図参照)
尚、本規格値は出荷時に適用。(但し、輸送時に剥離が発生しないこと。)
PEELING OFF FORCE OF TOP TAPE : 0.1N ~ 0.7N(10.2gf ~ 71.4gf)
(PEELING DIRECTION AS SHOWN IN FOLLOWING FIG.)
THIS REQUIREMENT SHOULD BE APPLIED AT SHIPMENT.
PEEL OFF SHOULD NOT BE ALLOWED, DURING TRANSPORTATION.

5. 材料
キャリアテープ：ポリプロピレン (PP)
トップテープ：PET, PE, PEF
リール：ポリスチレン (PS) <リサイクル材を含む>

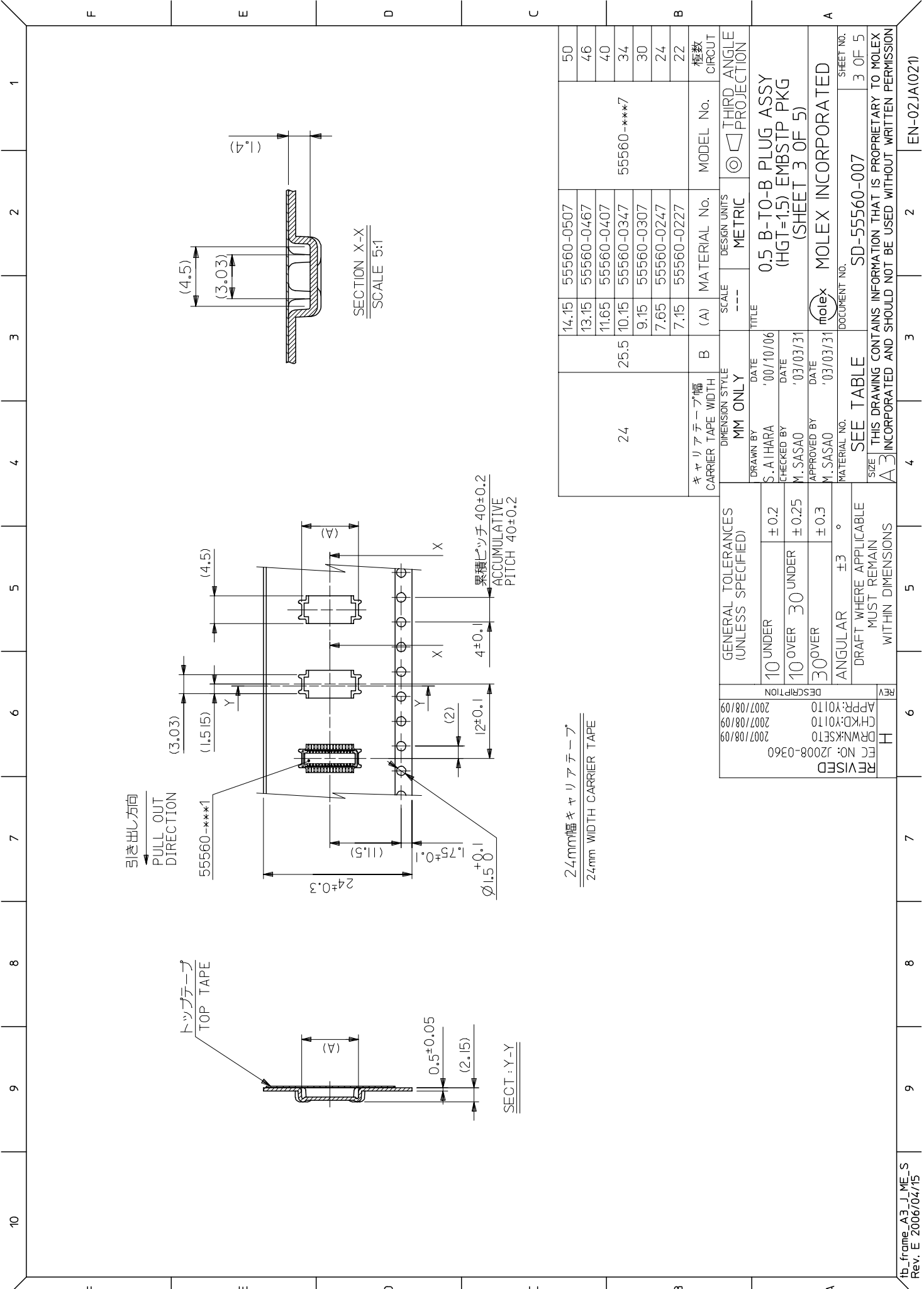
MATERIAL CARRIER TAPE: POLYPROPYLENE
TOP TAPE: PET, PE, PEF
REEL: POLYSTYRENE (PS)
<RECYCLE MATERIAL CONTAINED>

GENERAL TOLERANCES (UNLESS SPECIFIED)		DIMENSION STYLE		SCALE	DESIGN UNITS	THIRD ANGLE PROJECTION
		MM ONLY		---	METRIC	☉
10 UNDER	± 0.2	DRAWN BY	DATE	TITLE		
10 OVER	± 0.25	S. AIHARA	'00/10/06	0.5 B-T-O-B PLUG ASSY (HGT=1.5) EMBSTP PKG (SHEET 1 OF 5)		
30 OVER	± 0.3	CHECKED BY	DATE	DOCUMENT NO.		
ANGULAR	± 3 °	M. SASAO	'03/03/31	SD-55560-007		
DRAFT WHERE APPLICABLE MUST REMAIN WITHIN DIMENSIONS		APPROVED BY	DATE	SHEET NO.		
		M. SASAO	'03/03/31	1 OF 5		
		SEE CHART		MOLEX INCORPORATED		
		SIZE THIS DRAWING CONTAINS INFORMATION THAT IS PROPRIETARY TO MOLEX INCORPORATED AND SHOULD NOT BE USED WITHOUT WRITTEN PERMISSION				
		A3				



16	17.5	6.65	55560-0207	55560-***7	20
キャリアテープ幅 CARRIER TAPE WIDTH	B	(A)	MATERIAL No.	MODEL No.	極数 CIRCUT
DIMENSION STYLE		SCALE	DESIGN UNITS	THIRD ANGLE PROJECTION	
MM ONLY		---	METRIC		
DRAWN BY	DATE	TITLE			
S. AIHARA	'00/10/06	0.5 B-T0-B PLUG ASSY (HGT=1.5) EMBSTP PKG (SHEET 2 OF 5)			
CHECKED BY	DATE				
M. SASAO	'03/03/31				
APPROVED BY	DATE				
M. SASAO	'03/03/31				
MATERIAL No.	DOCUMENT No.	MOLEX INCORPORATED			
SEE CHART	SD-55560-007	SHEET NO. 2 OF 5			
SIZE THIS DRAWING CONTAINS INFORMATION THAT IS PROPRIETARY TO MOLEX AND SHOULD NOT BE USED WITHOUT WRITTEN PERMISSION					

GENERAL TOLERANCES (UNLESS SPECIFIED)	
10 UNDER	±0.2
10 OVER	±0.25
30 OVER	±0.3
ANGULAR	±3°
DRAFT WHERE APPLICABLE MUST REMAIN WITHIN DIMENSIONS	
DESCRIPTION	
REV	DESCRIPTION
H	REVISED
	FC NO: J2008-0360
	DRW/K:SET10
	CHK/D:Y0110
	APP:Y0110
	2007/08/09

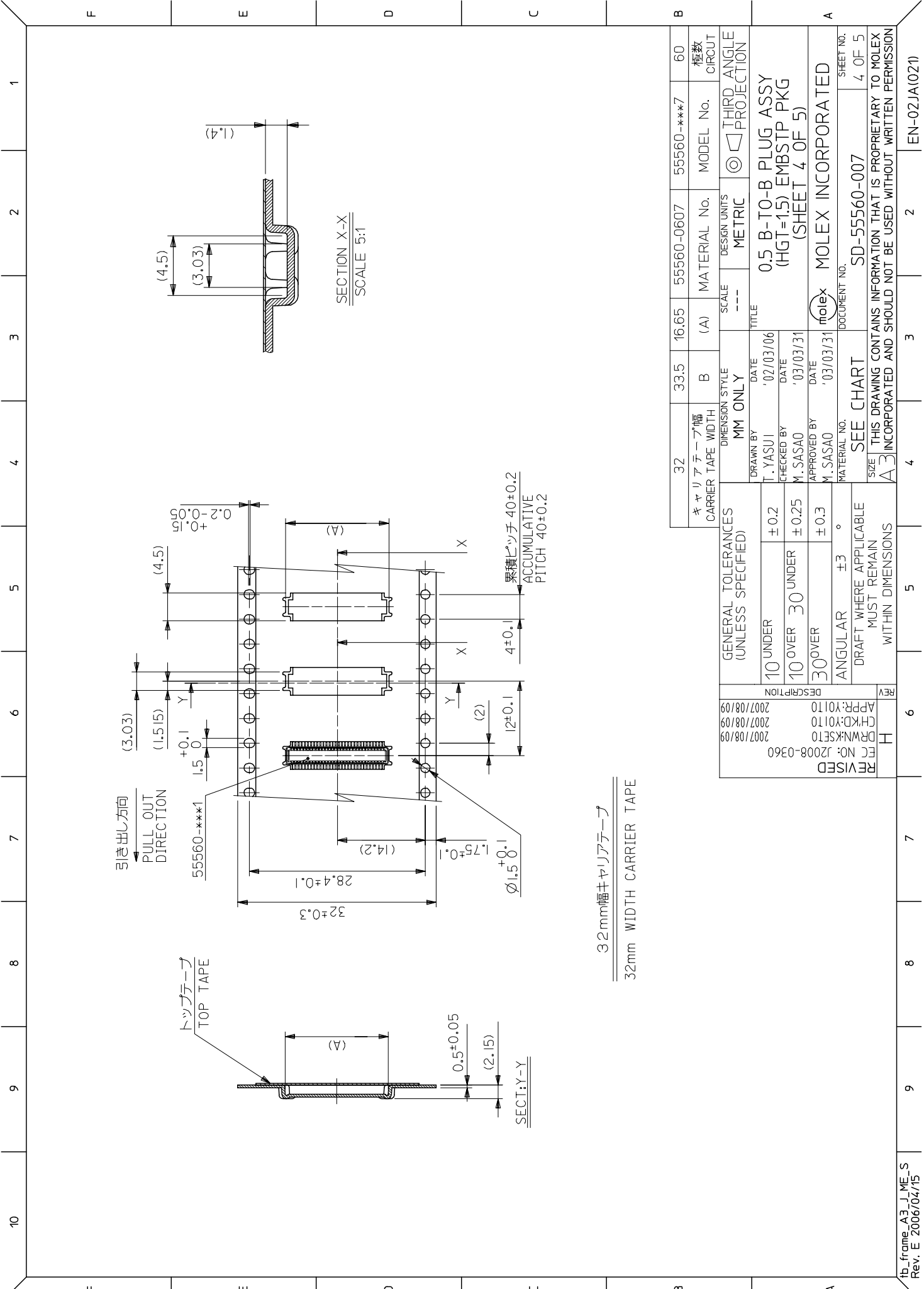


24mm幅 キャリアテープ
24mm WIDTH CARRIER TAPE

24	25.5	10.15	55560-0347	55560-***7	50
	9.15	55560-0307			46
	7.65	55560-0247			40
	7.15	55560-0227			34
					30
					24
					22
キャリアテープ幅 CARRIER TAPE WIDTH	B	(A)	MATERIAL No.	MODEL No.	極数 CIRCUT

GENERAL TOLERANCES (UNLESS SPECIFIED)	SCALE	DESIGN UNITS	THIRD ANGLE PROJECTION
10 UNDER ±0.2	---	METRIC	◎
10 OVER 30 UNDER ±0.25	TITLE		
30 OVER ±0.3	0.5 B-T0-B PLUG ASSY (HGT=1.5) EMBSTP PKG (SHEET 3 OF 5)		
ANGULAR ±3 °	DRAWN BY	DATE	
DRAFT WHERE APPLICABLE MUST REMAIN WITHIN DIMENSIONS	S. AIHARA	'00/10/06	
	CHECKED BY	DATE	
	M. SASAO	'03/03/31	
	APPROVED BY	DATE	
	M. SASAO	'03/03/31	
	MATERIAL No.	DOCUMENT No.	
	SEE TABLE	SD-55560-007	
	THIS DRAWING CONTAINS INFORMATION THAT IS PROPRIETARY TO MOLEX INCORPORATED AND SHOULD NOT BE USED WITHOUT WRITTEN PERMISSION		
	A3 INCORPORATED		
	SHEET NO. 3 OF 5		

REV	DESCRIPTION
H	REVISED
	FC NO: J2008-0360
	DRW/K:SET10
	CHKD:Y0110
	APR:Y0110
	2007/08/09
	2007/08/09
	2007/08/09



32mm幅キャリアテープ
32mm WIDTH CARRIER TAPE

32	キャリアテープ幅 CARRIER TAPE WIDTH	33.5	16.65	55560-0607	55560-***7	60
DIMENSION STYLE		B	(A)	MATERIAL No.	MODEL No.	極数 CIRCUT
MM ONLY		SCALE	---	METRIC	◎	THIRD ANGLE PROJECTION
DRAWN BY		T. YASUI	DATE	'02/03/06	TITLE	
CHECKED BY		M. SASAO	DATE	'03/03/31	0.5 B-T0-B PLUG ASSY (HGT=1.5) EMBSTP PKG (SHEET 4 OF 5)	
APPROVED BY		M. SASAO	DATE	'03/03/31	DOCUMENT No.	
MATERIAL No.		SEE CHART		SD-55560-007		SHEET No. 4 OF 5
GENERAL TOLERANCES (UNLESS SPECIFIED)		10 UNDER ±0.2	30 OVER ±0.25	30 OVER ±0.3	ANGULAR ±3°	DRAFT WHERE APPLICABLE MUST REMAIN WITHIN DIMENSIONS
DESCRIPTION		REVISED FC NO: J2008-0360 DRW/K:SETO CHKD:Y0110 APR:Y0110				
REV		THIS DRAWING CONTAINS INFORMATION THAT IS PROPRIETARY TO MOLEX INCORPORATED AND SHOULD NOT BE USED WITHOUT WRITTEN PERMISSION				
A3		INCORPORATED		MOLEX INCORPORATED		
EN-02JA(021)		2		3		

