

Proximity Magnetic Sensors Cylindrical Body, FM Series

onlinecomponents.com
THE ONLINE DISTRIBUTOR OF ELECTRONIC COMPONENTS



- Cylindrical case
- Plastic, brass or nickel plated brass
- M10, M12, Ø 13,5 diameter
- NO, NC or CO output functions
- Front side switching

Product Description

The cylindrical proximity magnetic sensors of the FM series are available in different versions with plastic or brass body, different dimensions and

output contacts. The models with output functions NO (Normally Open), or Change-over can be mounted directly on ferromagnetic supports.

Ordering Key

FM.C.3/S1

Type _____
 Output Function _____
 Reed Contact Type _____
 Special Version _____

Type Selection

Output function	Dimensions	Reference
NO	Ø 9,3 mm	FM.A.3
	M12 x 1	FM.A.3/S5
	M10 x 0,75	FM.A.3/S5
	M10 x 0,75	FM.A.6
NC	Ø 9,3 mm	FM.C.3
	M12 x 1	FM.C.3/S1
Change-over	Ø 9,3 mm	FM.S.1

General specification

Case	
FM.A.3 FM.C.3 FM.S.1	Plastic
F.M.A.6/S2	Nicket plated brass F.M.A.6
FM.A.3/S5 FM.C.3/S1	Brass
Protection degree	IP67
Operating temperature	-25 to +75 °C
Output connection	PVC Cable

Electrical specifications

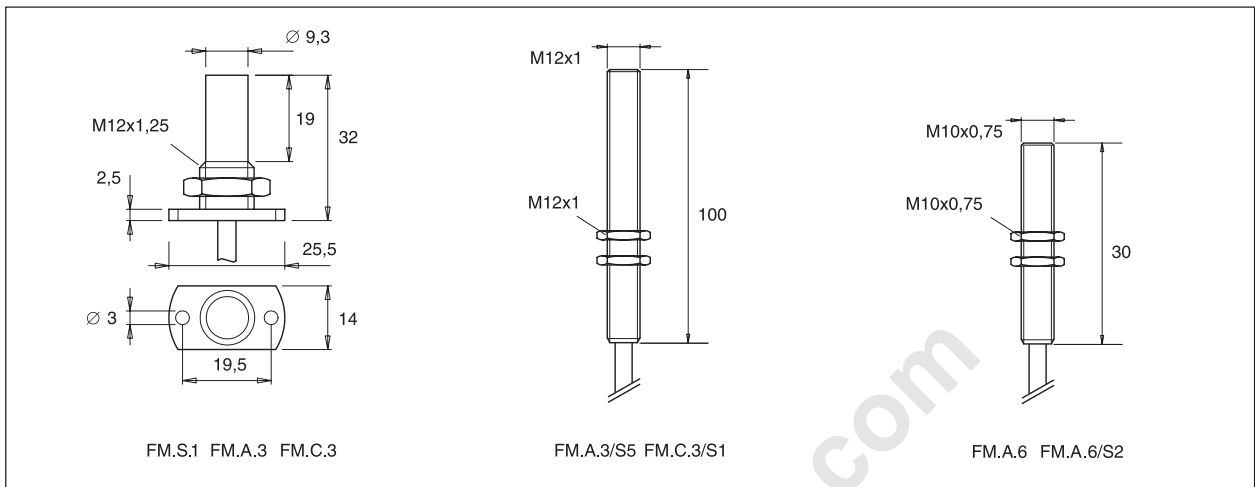
Contacts	3	S.1	6
Max switching voltage	500 Vac	100 Vac	100 Vac
Max switching current	0,5 A	0,25 A	0,5 A
Max switching power	5 VA	100 VA	100 VA

Operating distance

Magnetic Units	CL.10	CL.11	CL.18	CL.20/S1	CL.20/S3	CL.23	CL.31
FM.A.3, FM.S.1	11	25	9	20	19	15	25
FM.C.3	8	20/4 *	7	17/2 *	16/1 *	12/05 *	20/4 *
FM.A.3/S5	9	23	7	18	17	13	23
FM.C.3/S1	6	18/2 *	5	15/2 *	14/1 *	10/1 *	18/2 *

* Left: operating distance; right: closing contact distance.

Dimensions



Wiring Diagrams

