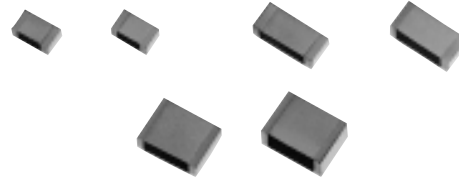


## Film Chip Capacitor

Type: **ECHU(X)**

Stacked metallized PPS film as dielectric with simple mold - less construction



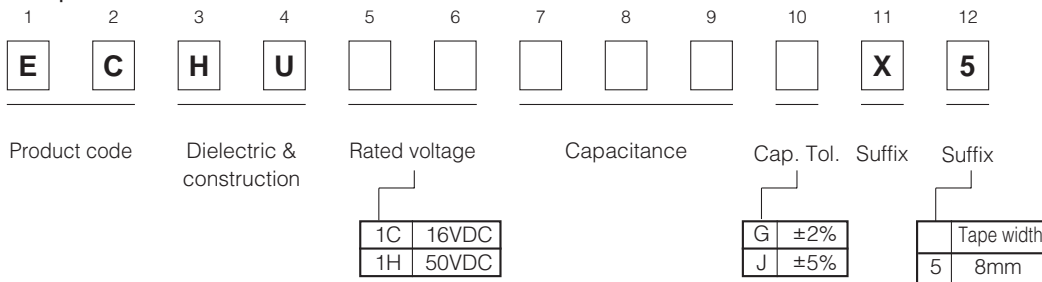
### ■ Features

- Small in size (minimum size 2.0x1.25mm)
- 85°C, 85%RH, W.V. × 1.0 for 500 hours
- Applicable for reflow soldering

### ■ Recommended Applications

- Time - constant
- Filtering
- Oscillation and resonance

### ■ Explanation of Numbers

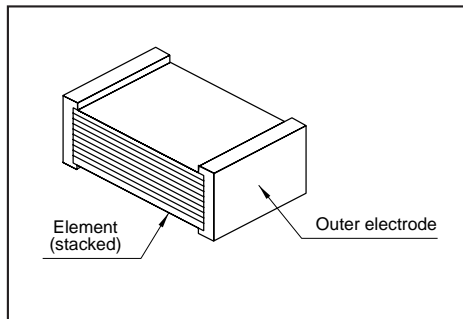


### ■ Specifications

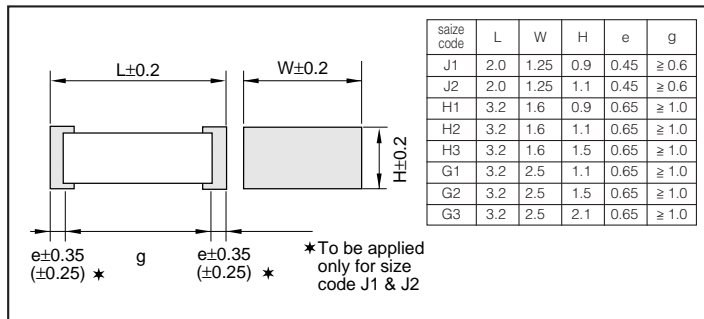
Category temp. range	-55 to +125°C
Rated voltage	16VDC, 50VDC
Capacitance range	0.0001 to 0.1 μF (E12)
Capacitance tolerance	±2%(G), ±5%(J)
Withstand voltage	Between terminals : Rated volt. (VDC)×175% 1 to 5s
Dissipation factor	≤0.6% (20°C, 1kHz)
Insulation resistance	16VDC : ≥ 3000MΩ (20°C, 10VDC 60s) 50VDC : ≥ 3000MΩ (20°C, 50VDC 60s)
Soldering conditions	Reflow soldering : 260°C max. and 30sec max. at more than 230°C (Temp. at cap. surface)

\* Flow soldering Type ECHU(B) is available. Please contact the home page (<http://www.maco.panasonic.co.jp>)

### ■ Construction



### ■ Dimensions in mm (not to scale)



Design, Specifications are subject to change without notice. Ask factory for technical specifications before purchase and/or use. Whenever a doubt about safety arises from this product, please inform us immediately for technical consultation without fail.

