

Receptacle Contacts

Technical Features

Material:

Contact: CuNiSi
Tabs: CuSn4/CuFe2
Top Spring: Stainless Steel

Contact Finish:

tin plated,
selective gold plated

Wire Size Range:

0.5–1.0 mm²/1.4–2.0 mm²
Single Wires (FLR)

Current Carrying Capacity:

up to 4 Ampere
(at 20 °C ambient temperature)

Temperature Range:

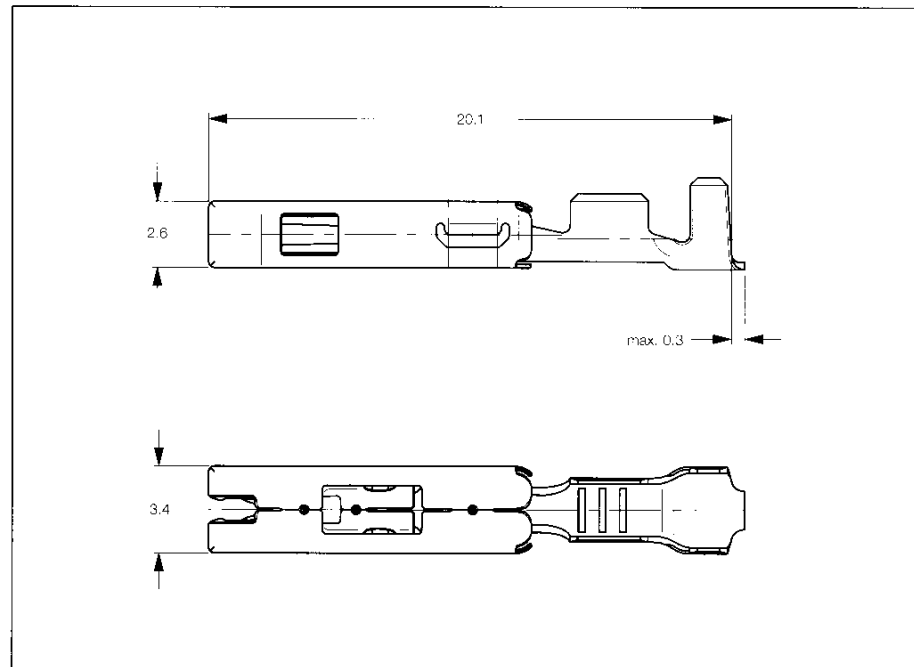
–40 °C to +130 °C (tin plated)
–40 °C to +150 °C (gold plated)

Mating Frequency:

up to 10 cycles (tin plated)
up to 100 cycles (gold plated)

Centerline:

3.33 x 5.0 mm



Contact Resistance:

New State ≤ 4 mΩ

Unmating Force:

1.5–7 N

Product Specification:

108-18617

Mating Force:

Max. 10 N

Extraction Tool:

Part No. 929136-1

Application Specification:

114-18254

Standard Receptacle Contacts

Wire Size Range (mm ²)	Insulation Diameter		Material and Finish*	Part Numbers					
	FLK (mm)	FLR (mm)		Strip Form	Packaging Unit	Loose-Piece	Packaging Unit	Applicator	Hand Tool 539635-1 with Die Set
0.5–1.0	–	1.4–2.1	-1 / -2	929027	5,500	929028	500	2-541555-2	539724-2
1.4–2.0	–	2.2–2.8	-1 / -2	929025	4,500	929026	500	2-541554-2	539724-2

*** Material and Finish:**

xxx-1 = selective gold plated
xxx-2 = pre-tin plated