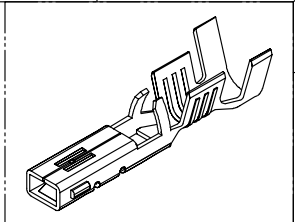
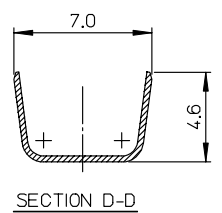
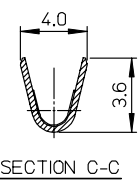
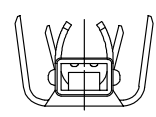
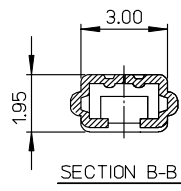
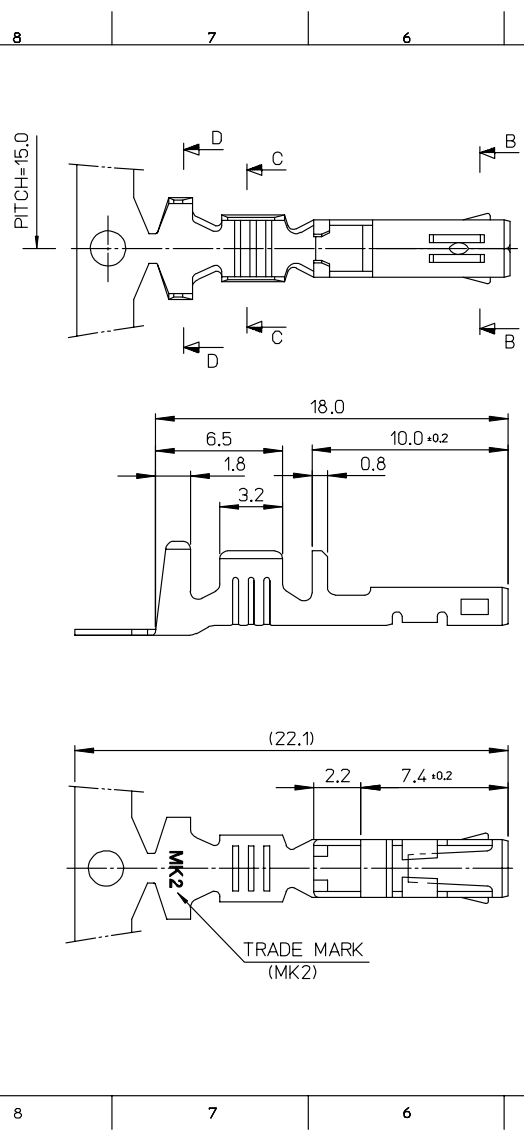


DWG. NO. SD-35746-003
 SIMILAR ITEM
 PROJECT NO.
 DO NOT SCALE DRAWING
 DIMENSION IN METRIC



- NOTES
1. MATERIAL : PHOSPHOR BRONZE
0.3mm THICKNESS
 2. FINISH : PRE-PLATED TIN
 3. RECOMMENDED LENGTH OF WIRE STRIP IS 4.0-4.8mm.

REVISED ECN NO:KOR2005-0062 DRWN: JB.JIN 04/10/01 CHK: W.Y.YANG APPR: C.W.LEE	QUALITY SYMBOLS MAJOR - 0 CRITICAL - 0	GENERAL TOLERANCES: (UNLESS SPECIFIED)		SCALE 5:1	DESIGN UNITS <input checked="" type="checkbox"/> MM <input type="checkbox"/> INCH	THIRD ANGLE PROJECTION	DIMENSIONS: <input type="checkbox"/> MM <input type="checkbox"/> INCH <input checked="" type="checkbox"/> MM ONLY		SHT	REV
		4 PLACES ±0. ±-	3 PLACES ±0. ±-	2 PLACES ±0.30 ±-	1 PLACE ±0.30 ±-	ANGULAR: ± °	DRAWN BY & DATE B.K.CHOI 92/11/17	CHECKED BY & DATE B.K.CHOI 92/11/17	APPROVED BY & DATE C.W.LEE	TITLE: .070 FEMALE TERMINAL-L (A-TYPE)
D1	DESCRIPTION	DRAFT WHERE APPLICABLE MUST REMAIN WITHIN DIMENSIONS		CAD FILENAME S357460310AB.MI	MATERIAL NO. 357460310	DRAWING NO. SD-35746-003	MATERIAL NO. DRAWING NO. SD-35746-003		SHEET NO. 1 OF 1	REVISE ON CAD ONLY
THIS DRAWING CONTAINS INFORMATION THAT IS PROPRIETARY TO MOLEX INCORPORATED AND SHOULD NOT BE USED WITHOUT WRITTEN PERMISSION.										SIZE B
KOREA										MX-A3