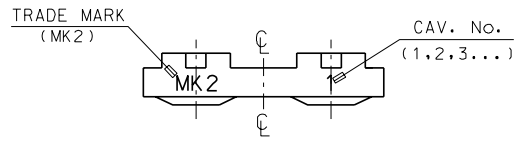
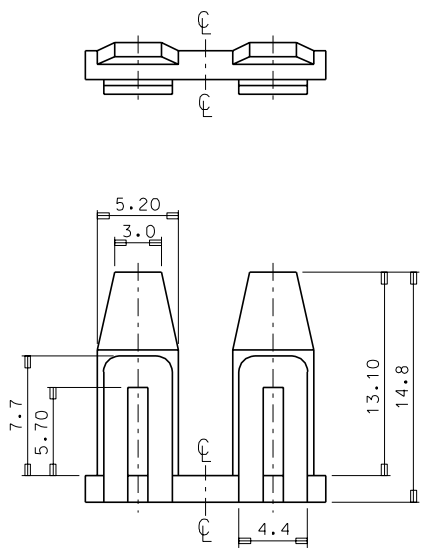
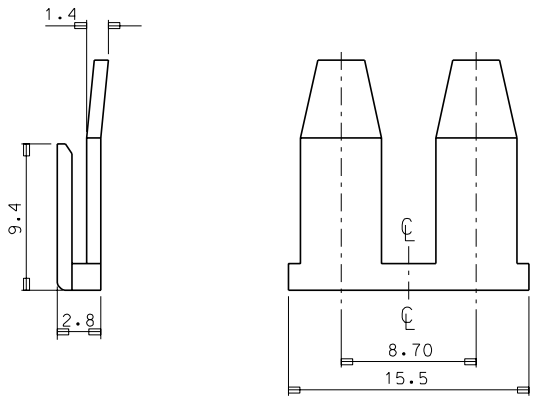
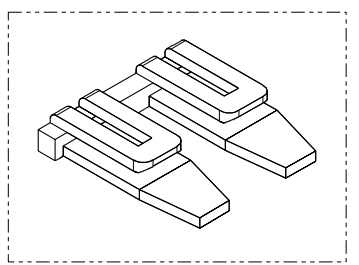


PROJECT NO. : 070 MULTI CONN\*  
 SIMILAR ITEM  
 EDP NO.  
 ENG. NO. SD 35182-029\*

8 7 6 5 4 3 2 1



- NOTES
1. MATERIAL : NYLON 66 (UL94V-2)
  2. COLOR : 35182-0290 (NATURAL)  
 35182-0292 (RED)  
 35182-0293 (YELLOW)  
 35182-0294 (BLUE)
  3. MATCHED HOUSING : 35180-040\*



				MATERIAL	SEE NOTES	molex MOLEX-KOREA CO.,LTD.	
				GENERAL TOLERANCE	DRAWN BY		CHK'D BY
				DIMENSION : ±0.3	J.S.KANG		
				ANGLE : ±1°	APPR'D BY		SCALE 4/1
				DIMENSION CLASSIFICATION	TITLE :		SHEET
				▽ : CRITICAL	.070 MULTI MALE		1 of 1
				∇ : REFERENCE	HOUSING T.P. A-2P		
A	NEW RELEASED	PDR 94-044	95.9.28	ASS'Y PART	ENG. NO.		REV
LTR	REVISION RECORD	ECN	DATE	DESCRIPTION	SD 35182-029*		A
REVISE ONLY ON CAD SYSTEM				---	---		

s1820290.dgn

THIS DRAWING CONTAINS INFORMATION THAT IS PROPRIETARY TO MOLEX(KOREA) AND SHOULD NOT BE USED WITHOUT WRITTEN PERMISSION  
 MX-A3(ANSI:Z90,420)