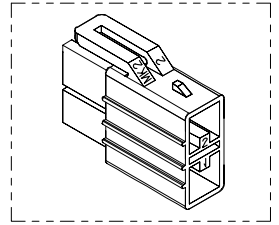
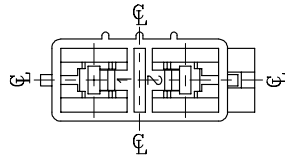
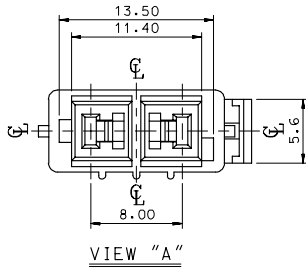
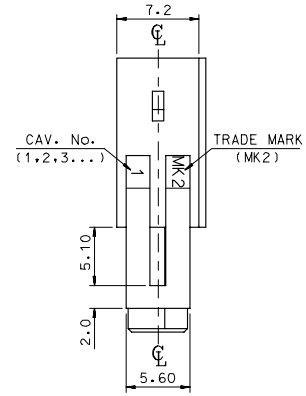
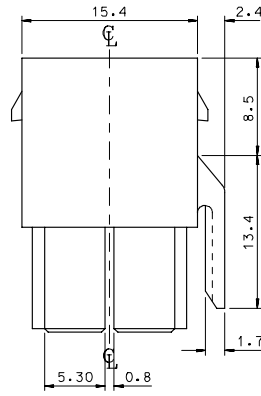
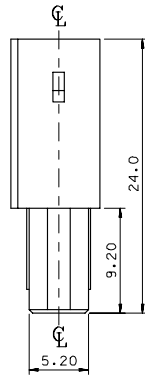


10 9 8 7 6 5 4 3 2 1



- NOTES
1. MATERIAL & COLOR : SEE TABLE
  2. MATCHED HOUSING : 35180-060\*
  3. APPLICABLE TERMINAL : 35748-0\*10
  4. APPLICABLE T.P.A : 35182-019\*



↑ "A"

NO	PRODUCT		MATERIAL	
	PART NO	MATERIAL NO	COLOR	DESCRIPTION
1	35181-0220	351810220	NATURAL	PBT (UL94V-0)
2	35181-0229	351810229	NATURAL	PBT/PC(UL94V-0)

REVISED EC NO: KOR2008-0048 2007/09/10 DRWN: JHPARK01 CHIKHWY YANG 2007/09/10 APPR: TUNSIKIM 2007/09/10	QUALITY SYMBOLS ▽=0 ▽=0	GENERAL TOLERANCES (UNLESS SPECIFIED)	DIMENSION STYLE		SCALE	DESIGN UNITS	THIRD ANGLE PROJECTION
			mm	INCH	3:1	METRIC	
REVISED EC NO: KOR2008-0048 2007/09/10 DRWN: JHPARK01 CHIKHWY YANG 2007/09/10 APPR: TUNSIKIM 2007/09/10	DESCRIPTION	DRAFT WHERE APPLICABLE MUST REMAIN WITHIN DIMENSIONS	DRAWN BY		TITLE		
			DATE		.070 MULTI W/W CONN FEMALE HSG-2P(C)		
REVISED EC NO: KOR2008-0048 2007/09/10 DRWN: JHPARK01 CHIKHWY YANG 2007/09/10 APPR: TUNSIKIM 2007/09/10	REV	SIZE	CHECKED BY		MATERIAL NO.		
			DATE		SD-35181-022*		
DRAFT WHERE APPLICABLE MUST REMAIN WITHIN DIMENSIONS			APPROVED BY		DOCUMENT NO.		
DRAFT WHERE APPLICABLE MUST REMAIN WITHIN DIMENSIONS			DATE		SHEET NO.		
DRAFT WHERE APPLICABLE MUST REMAIN WITHIN DIMENSIONS			DATE		1 OF 01		
DRAFT WHERE APPLICABLE MUST REMAIN WITHIN DIMENSIONS			DATE		THIS DRAWING CONTAINS INFORMATION THAT IS PROPRIETARY TO MOLEX INCORPORATED AND SHOULD NOT BE USED WITHOUT WRITTEN PERMISSION		

ib\_frame\_A3\_P\_ME\_T  
Rev. E 2006/04/15

9 8 7 6 5 4 3 2 1