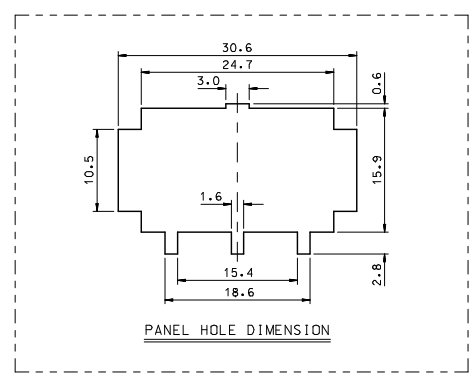
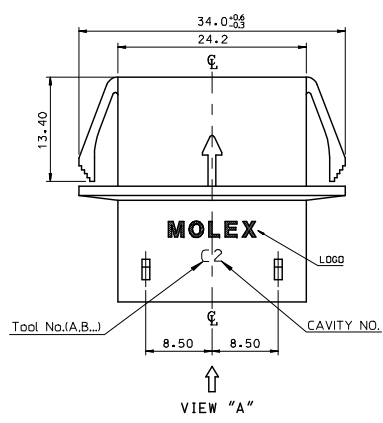
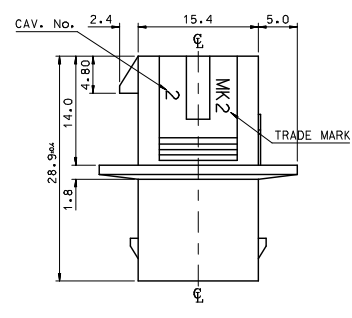


- NOTES
- MATERIAL & COLOR : SEE TABLE
 - MATCHED HOUSING : 35181-020* (A TYPE)
35181-021* (B TYPE)
35181-022* (C TYPE)
 - APPLICABLE TERMINAL : 35745-0*10 (3, 4 CIRCUIT)
35746-0*10 (2, 5 CIRCUIT)
35747-0*10 (1, 6 CIRCUIT)
 - APPLICABLE T.P.A : 35182-039*



TABLE

NO	ENG. NO	ORDER NO	MATERIAL NO	COLOR	DESCRIPTION
6	35180-4609	351804609	89992-1329	BLUE	PC/PET (UL94V-0)
5	35180-3609	351803609	89992-1330	YELLOW	
4	35180-2609	351802609	89992-1327	RED	PBT (UL94V-0)
3	35180-0609	351800609	89992-1234	NATURAL	
2	35180-0604	351800604	89992-0865	BLUE	PBT (UL94V-0)
1	35180-0600	351800600	89992-0090	NATURAL	
	ENG. NO	ORDER NO	MATERIAL NO	COLOR	DESCRIPTION
	PRODUCT			MATERIAL	

ENTER DESCRIPTION	QUALITY SYMBOLS
EC NO: KOR2009-0022	▽=0
DRWNSKHAN01 2008/09/04	▽=0
CHKCHKY YANG 2008/09/04	
APPR:YUNSI.KKI.M 2008/09/04	
REV	DESCRIPTION

GENERAL TOLERANCES (UNLESS SPECIFIED)	
	mm
4 PLACES	± 0.3
3 PLACES	± 0.3
2 PLACES	± 0.3
1 PLACE	± 0.3
ANGULAR ± 3°	
DRAFT WHERE APPLICABLE MUST REMAIN WITHIN DIMENSIONS	

DIMENSION STYLE	
MM ONLY	
DRAWN BY	DATE
JS. KANG	1995/09/28
CHECKED BY	DATE
BK. CHOI	1995/09/28
APPROVED BY	DATE
CW. LEE	1995/09/28
MATERIAL NO.	ENTER PART

SCALE	DESIGN UNITS	THIRD ANGLE PROJECTION
2:1	METRIC	
TITLE		
.070 MULTI W/W CONN MALE HSG-6P		
MOLEX INCORPORATED		SHEET NO.
DOCUMENT NO.		1 OF 00
THIS DRAWING CONTAINS INFORMATION THAT IS PROPRIETARY TO MOLEX INCORPORATED AND SHOULD NOT BE USED WITHOUT WRITTEN PERMISSION		