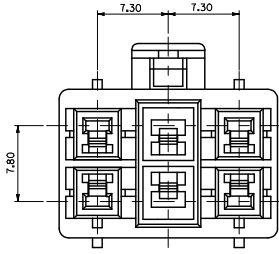
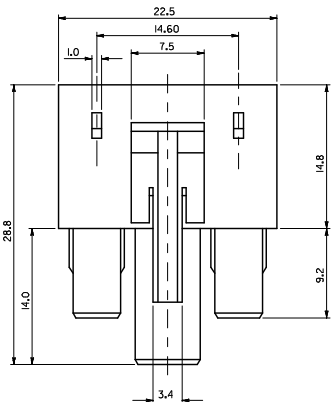
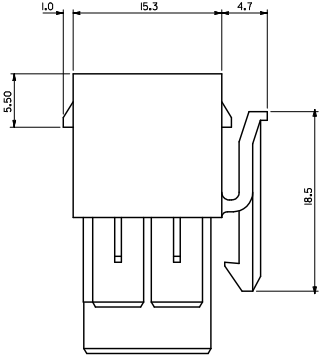
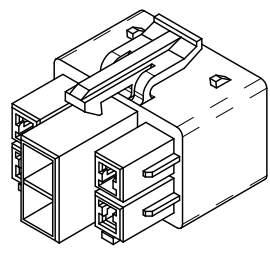
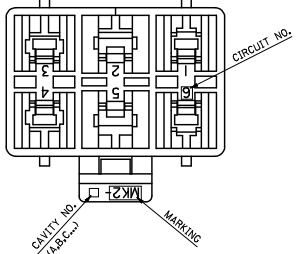


10 9 8 7 6 5 4 3 2 1



VIEW "A"



- NOTES
- MATERIAL AND COLOR : SEE "TABLE"
 - MATED HOUSING : 35150-60*/35150-61*
35150-039* (TPA)
 - APPLICABLE TERMINAL : 35745-**** (2.5 CIRCUIT)
35746-**** (3.4 CIRCUIT)
35747-**** (1.6 CIRCUIT)

BLUE COLOR	PC/PET (UL94V-0)	35151-4619	351514619	6
YELLOW COLOR		35151-3619	351513619	5
NATURAL COLOR		35151-0619	351510619	4
BLUE COLOR	PBT (UL94V-0)	35151-0614	351510614	3
RED COLOR		35151-0612	351510612	2
NATURAL COLOR		35151-0610	351510610	1
FINISH	DESCRIPTION	ORDER NO	MATERIAL NO	No.
MATERIAL		PRODUCT		

[TABLE]

REVISED EC NO: KOR2009-0026 DRAWN: HPAK01 2008/09/25 CHKD: WY. YANG 2008/11/25 APPR: YUNSTK11M 2008/11/25	QUALITY SYMBOLS ▽=0 ▽=0	GENERAL TOLERANCES (UNLESS SPECIFIED)		DIMENSION STYLE	SCALE	DESIGN UNITS	THIRD ANGLE PROJECTION	
				IN/MM	2.5:1	INCH		
		4 PLACES ± --- ± ---		mm				
		3 PLACES ± --- ± ---		INCH				
		2 PLACES ± 0.15 ± ---		DRAWN BY	DATE	TITLE		
		1 PLACE ± 0.20 ± ---		WY. YANG	1992/09/14	7.3 PITCH W/W FEMALE HOUSING-6P		
		ANGULAR ± 1/2°		CHECKED BY	DATE	MOLEX INCORPORATED		
				BK. CHOI	1992/09/14	SD-35151-061*		
		DRAFT WHERE APPLICABLE MUST REMAIN WITHIN DIMENSIONS		APPROVED BY	DATE	SHEET NO. 1 OF 01		
				SEE TABLE		THIS DRAWING CONTAINS INFORMATION THAT IS PROPRIETARY TO MOLEX INCORPORATED AND SHOULD NOT BE USED WITHOUT WRITTEN PERMISSION		

9 8 7 6 5 4 3 2 1